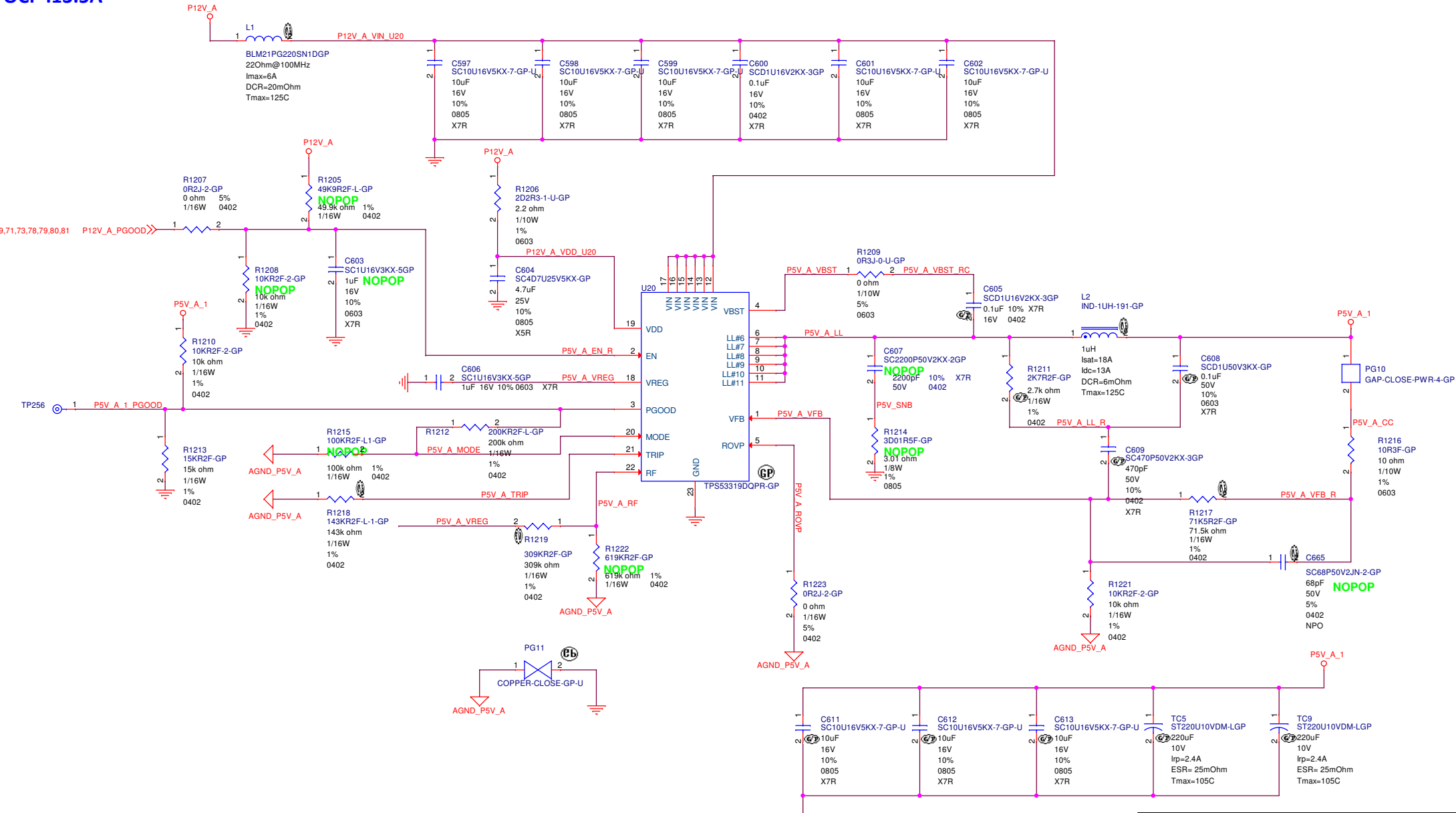


Power rail : P5V_A_1 (5V)
Controller : TPS53319 (Fswitching=750KHz)
TDC : 9.0A
MAX : 9.0A
OCF :13.5A



wiwynn Bryce Canyon Front Drive Plane Board
 8F, No.90, Xintai 5th Rd., Xizhi Dist,
 New Taipei, Taiwan
<http://www.wiwynn.com>

Title		
PWR5V_P5V_A_1_TPS53319		
Size	Document Number	Rev
A3	Bryce Canyon Front Drive Plane Board	1
Date:	Tuesday, December 05, 2017	Sheet 77 of 82