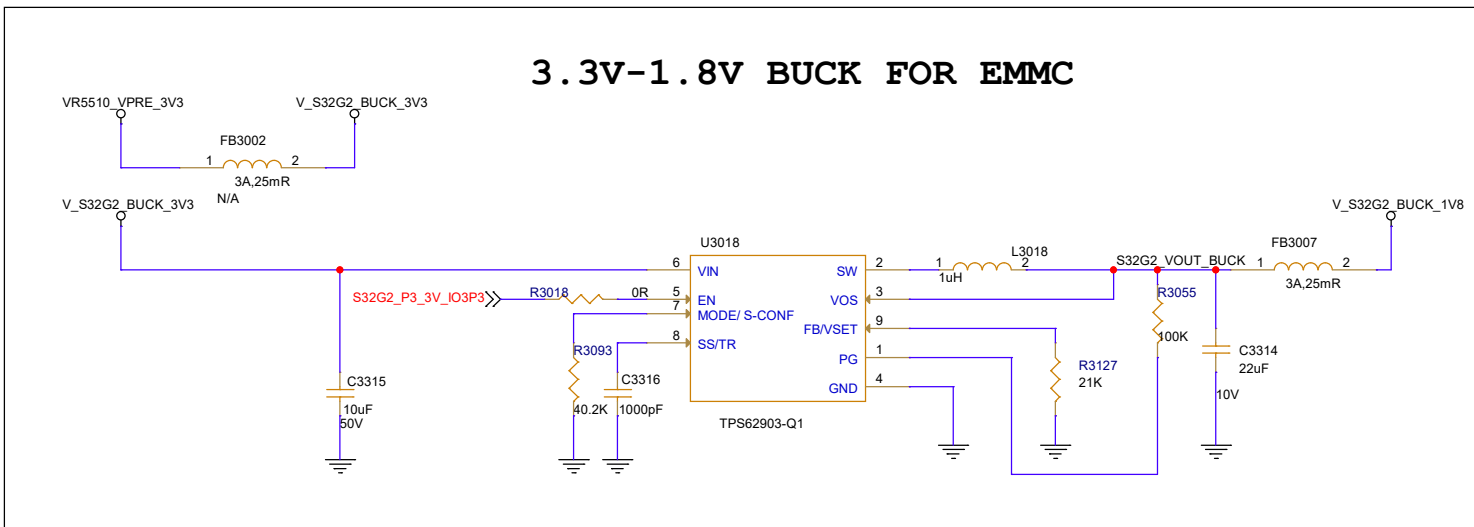


3.3V-1.8V BUCK FOR EMMC



Title		
<Title>		
Size	Document Number	Rev
B	<Doc>	<RevCode>
Date:	Friday, May 26, 2023	Sheet 1 of 1