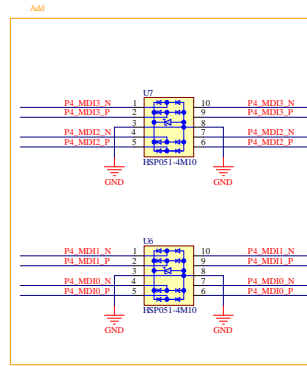
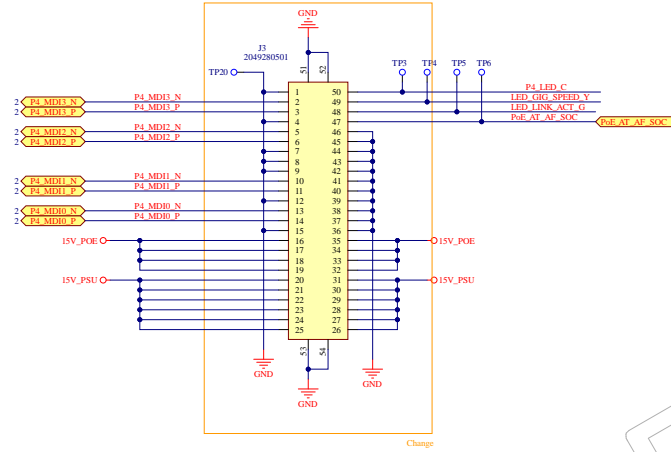
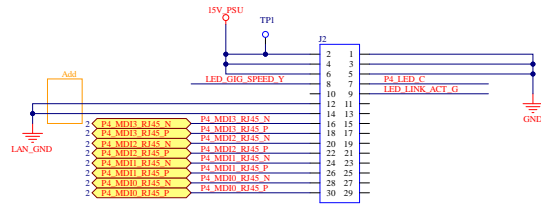


BTB connector to MB

BTB from ETH IO

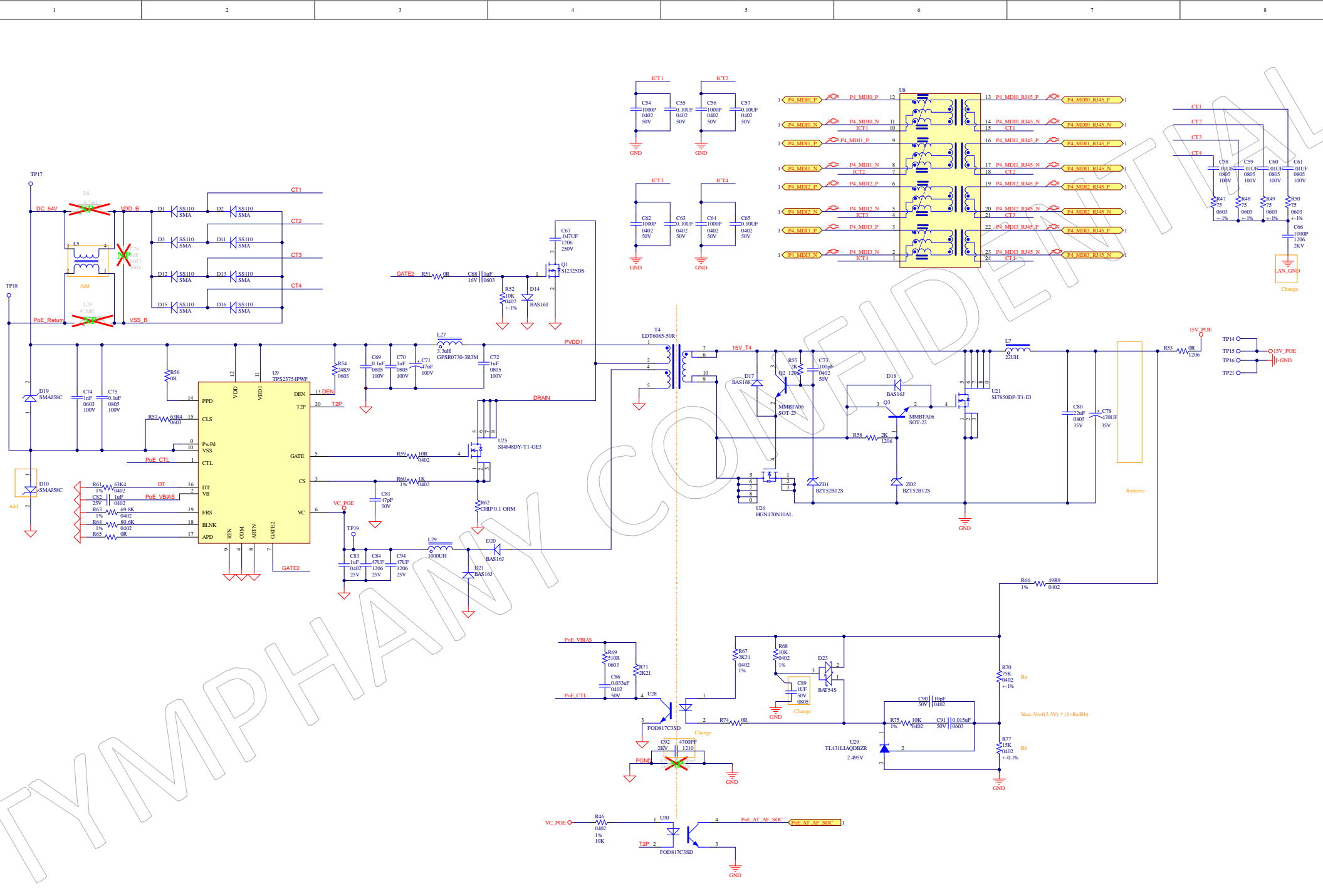


P/N of Process

T65	Tr651000017550
PCH	
T9101	T910100021200
PCH SMD	
T9402	T910200023770
PCH DIP	

Requirement of Tymphony Parts:  
 1. Comply with Tymphony QSI057-1031 "Green Product Chemical Substances Specification"  
 2. Follow customer's specification as required.  
 3. Follow Halogen Free requirement: Br<900 ppm, Cl<900 ppm, B<1Ch: 1500 ppm if required.

Client	Tymphony	Product	Description of Changes/Notes	Rev.
	Tymphony Co., Ltd., Taiwan Branch 40F, No. 111, Sec. 4, Roosevelt Rd., Neihu District, Taipei City 11064, Taiwan, R.O.C. TEL: +886 2 7742 1000 FAX: +886 2 7742 0007 www.tymphony.com.tw	BBQ TC-BAR S - PD Board Product: Barcode 3 PD board P2P-V3 File Name: 01_Connector S-Idoc Part Number: Size: N/A Revision: Drawn By: Wendy Hsu Mod By: Wendy Hsu Status: EVF2 Checked By: Rex Fan Mod Date: Lead Engineer: Rex Fan Approved By: Danny Chang Date: 2022/7/14 1 Time: 1:02:35:19 Sheet: 1 of 2		1



Requirement of Tymphony Parts:  
 1. Comply with Tymphony QSI057-1031 'Green Product Chemical Substances Specification'  
 2. Follow customer's specification as required.  
 3. Follow Halogen Free requirement: Br<900 ppm, Cl<900 ppm, B<Cl: 1500 ppm if required.

Client	Product	Description of Changes/Notes	Rev.
Tymphony Co., Ltd., Taiwan Branch	Barbus 3.3E Board PDP-3		
File Name: 02-PD-Transformer_SchDoc	Part Number:	Size: N/A	
Revision: 1	Drawn By: Wendy Hu	Mod By: Wendy Hu	
Status: EVF2	Checked By: Rex Fan	Mod Date:	
Lead Engineer: Rex Fan	Approved By: Danny Chang		
Date: 2022/7/14	Time: 1:02:35:20	Sheet: 2 of 2	