

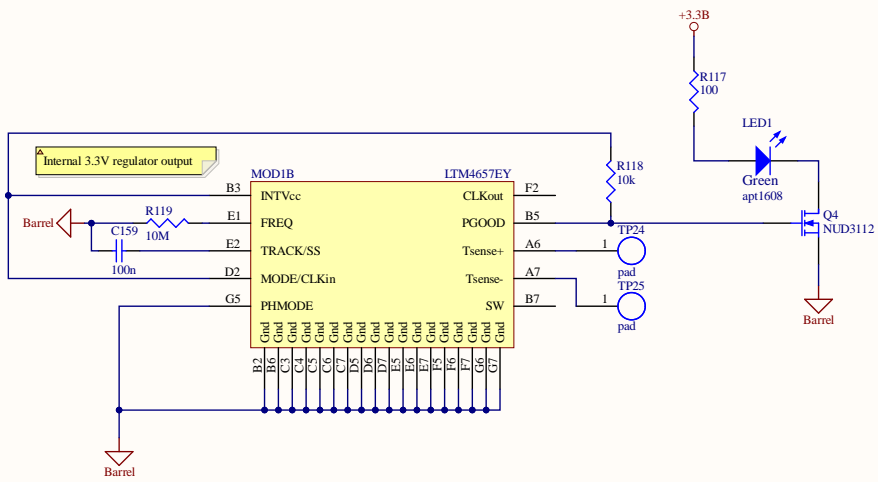
Voltages at the uModule output can leak to the input. This diode prevents the module from starting up when the barrel jack is not used.

LTM4657 needs a minimum of 150uF output capacitance.

Switch needs a bias supply even when +3.3B = 0 to prevent leakage.

LTM4657 needs a minimum of 10uF input capacitance.

Insert jumper to disable barrel jack power



Internal 3.3V regulator output

Title: <b>Ultra Logic Board</b>			Drawn by: John Peck	<b>Picarro Inc.</b>
Size: B	Number: 6	Revision: A	Engineer: John Peck	3105 Patrick Henry Dr. Santa Clara, CA.
Date: 7/31/2020	Time: 3:56:04 PM	Sheet 6 of 22	Approved by: *	95054
File: Barrel_Power.SchDoc				