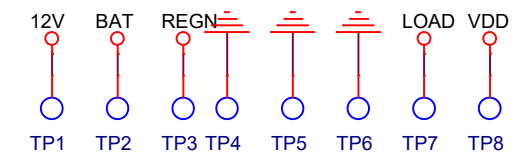
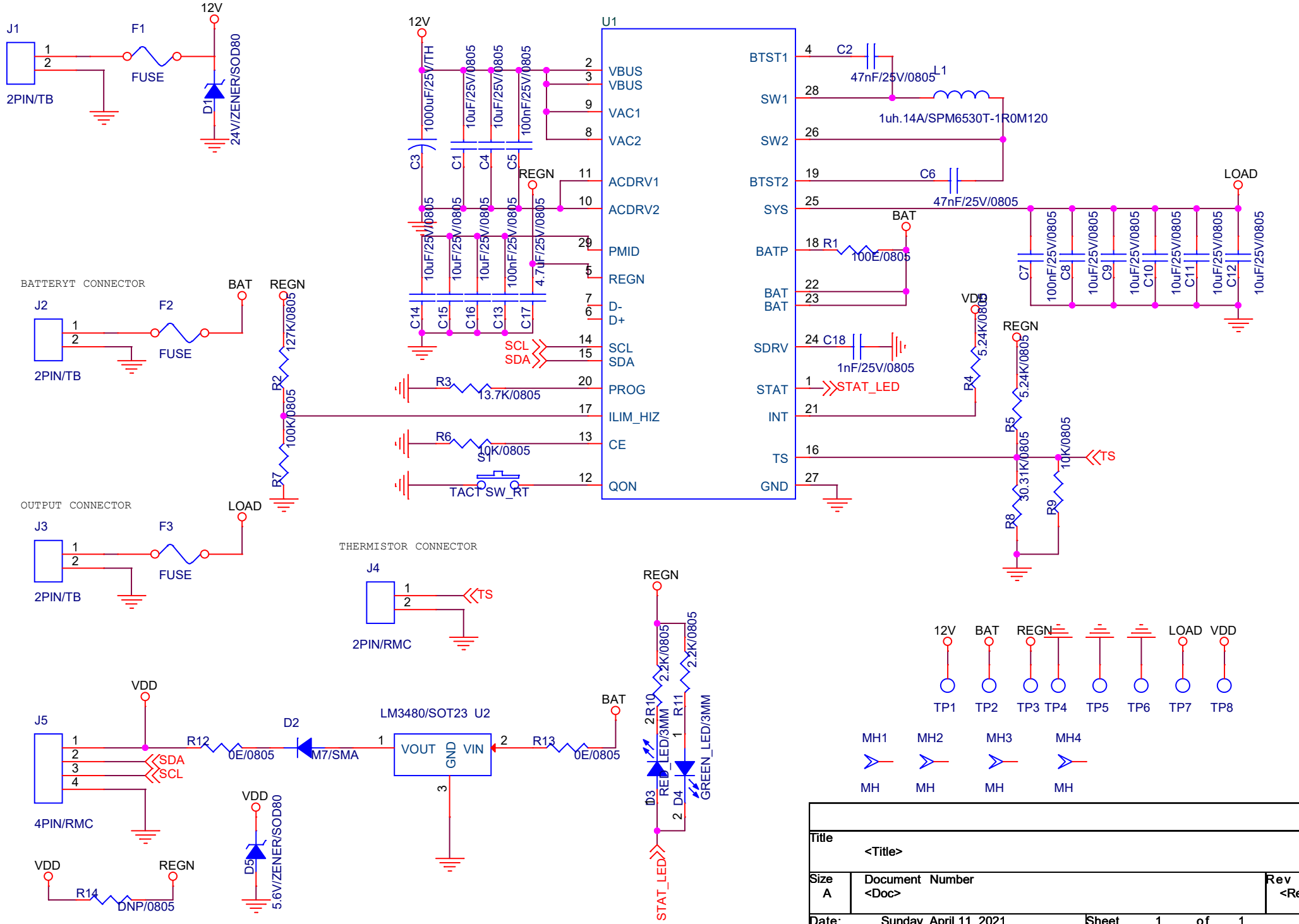


# BQ25792RQM



Title		
<Title>		
Size	Document Number	Rev
A	<Doc>	<RevCode>
Date:	Sunday, April 11, 2021	Sheet 1 of 1