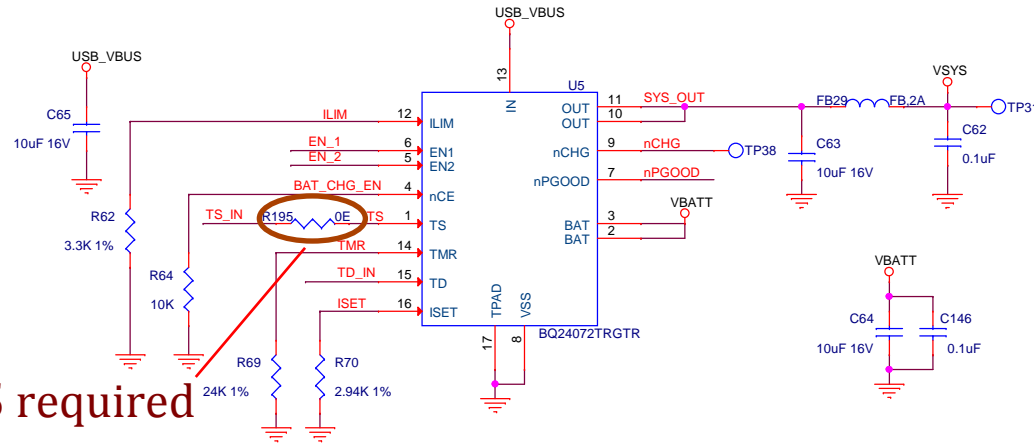


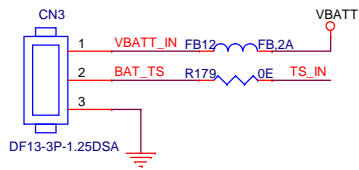
BATTERY CHARGER



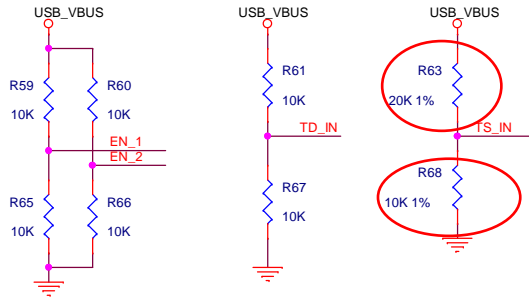
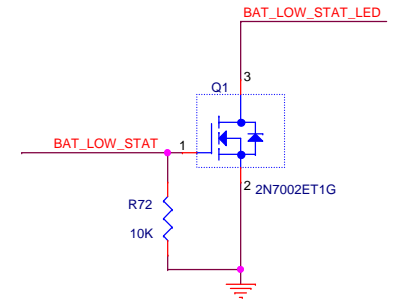
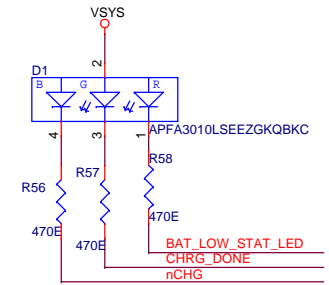
Is R195 required
 if R63 is 20K
 and 5V input is used

Max Input current is set as 500mA
 Fast charge current is set as 300mA
 Charging time is calculated for 3Hrs

BATTERY CONNECTOR



INDICATOR LEDS



R63 and R68 values are chosen based on 10K thermistor

R179 Status	R63 and R68 Values
No mount	R63 = 20K and R69= 10K
Mount	R63 = 200K and R69 =49.9K

Title		<Title>
Size	Document Number	Rev
B	<Doc>	<RevCode>
Date:	Monday, April 17, 2017	Sheet 1 of 1