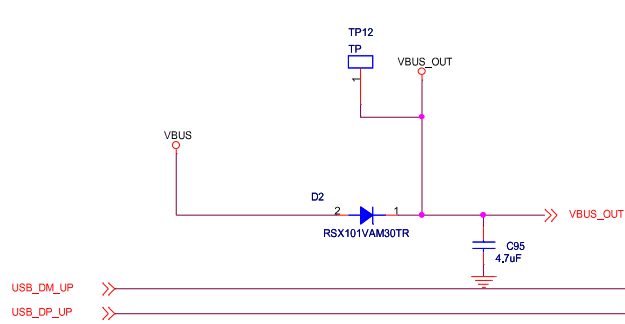
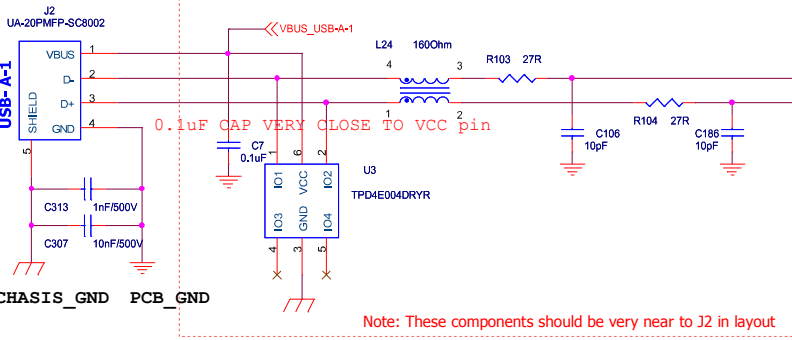


USB AB CONNECTIONS

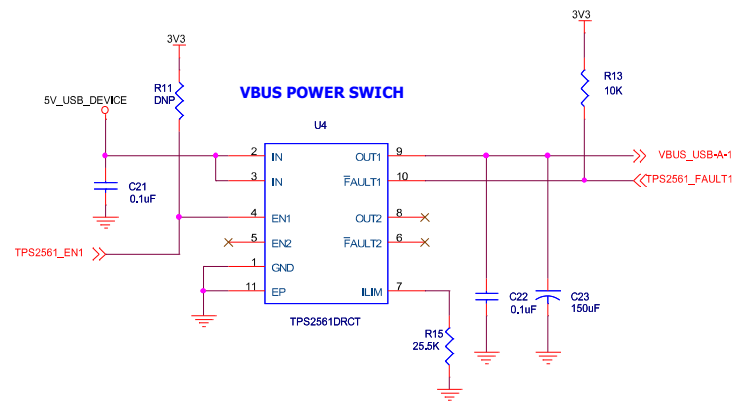


USB CONNECTOR

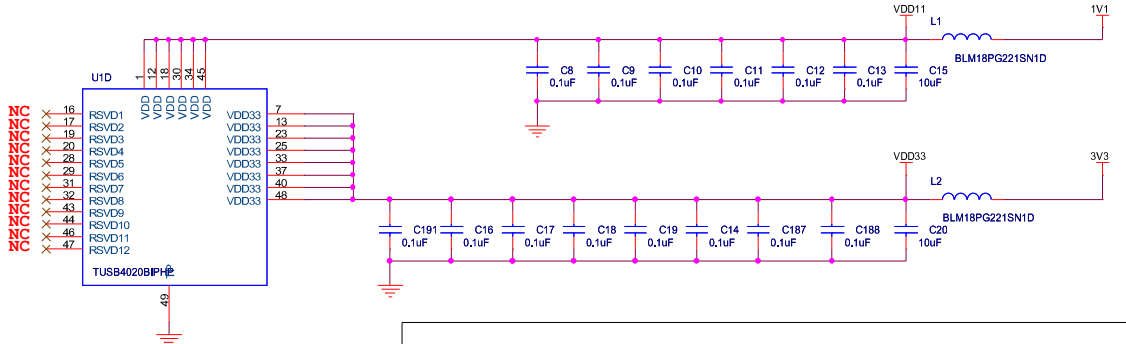
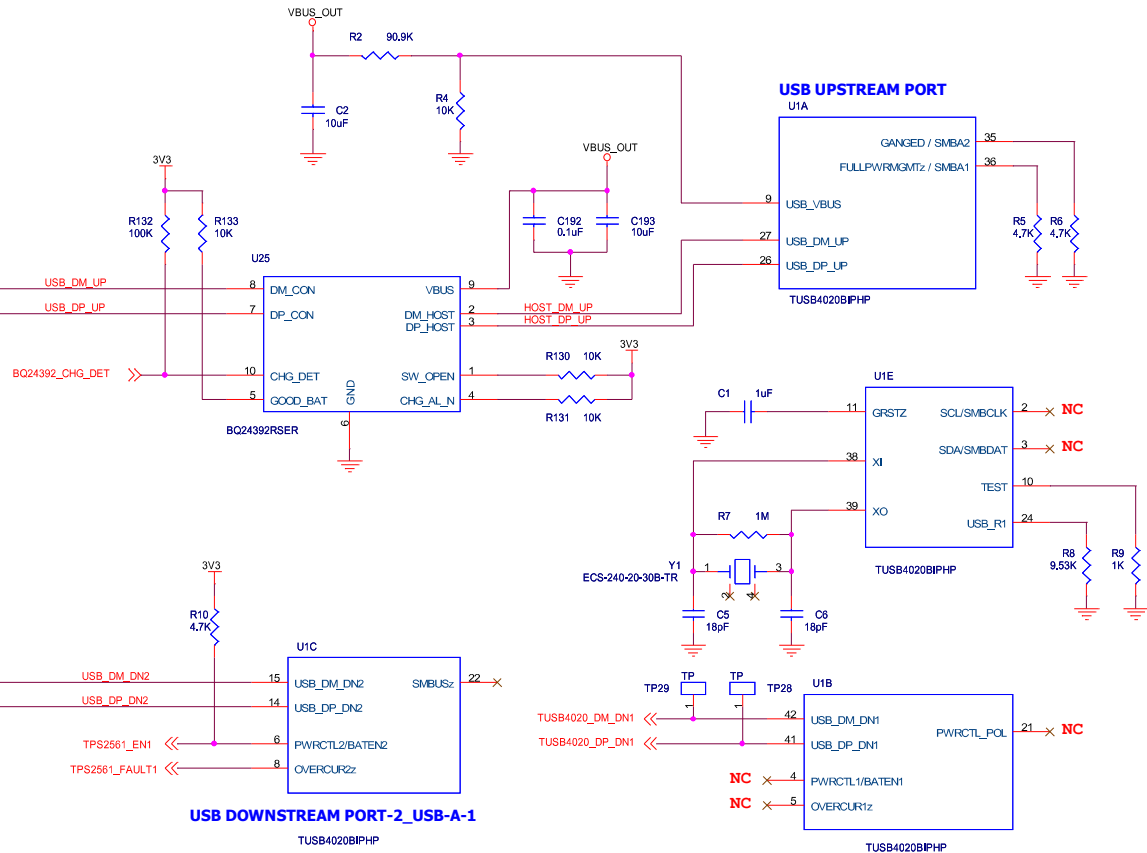


Note: These components should be very near to J2 in layout

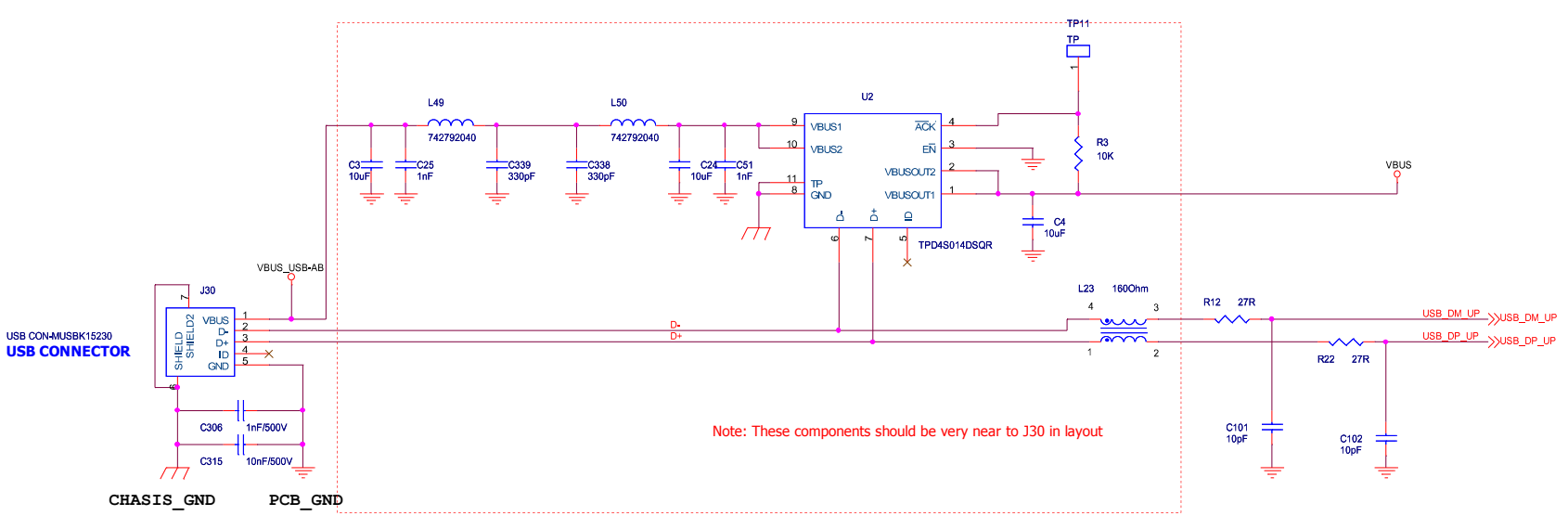
VBUS POWER SWITCH



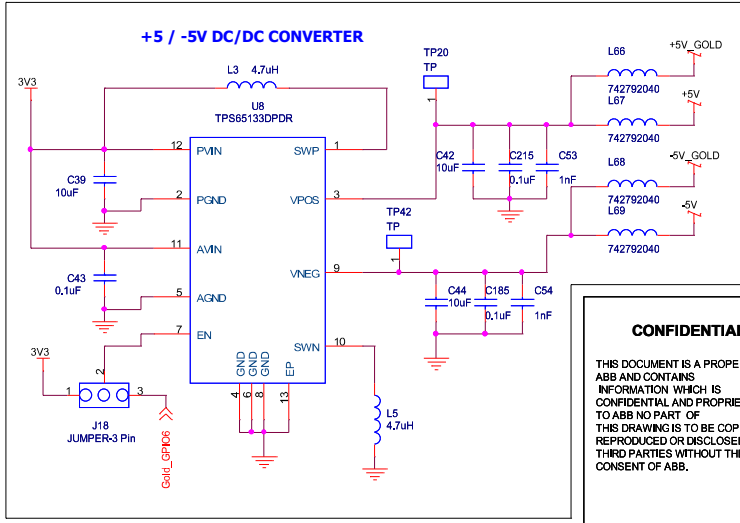
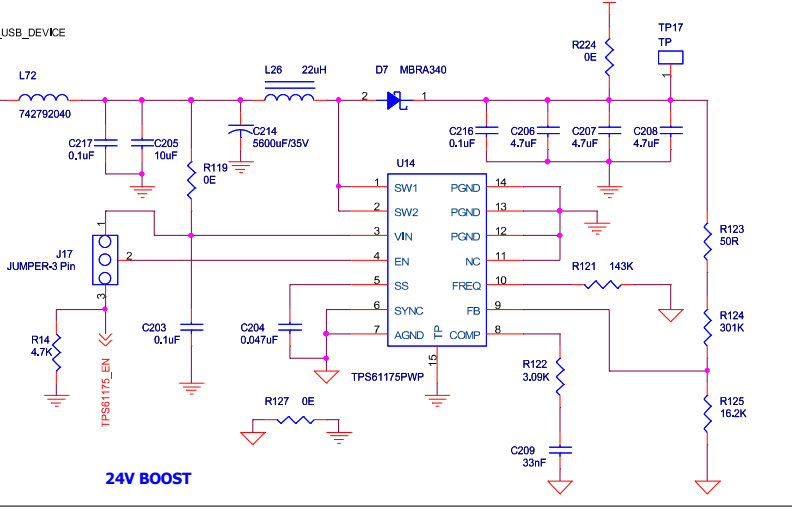
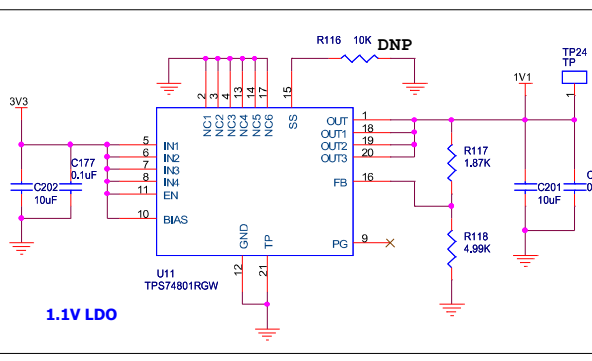
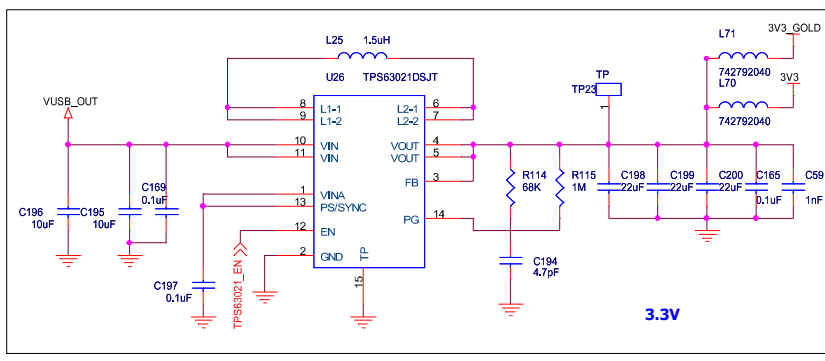
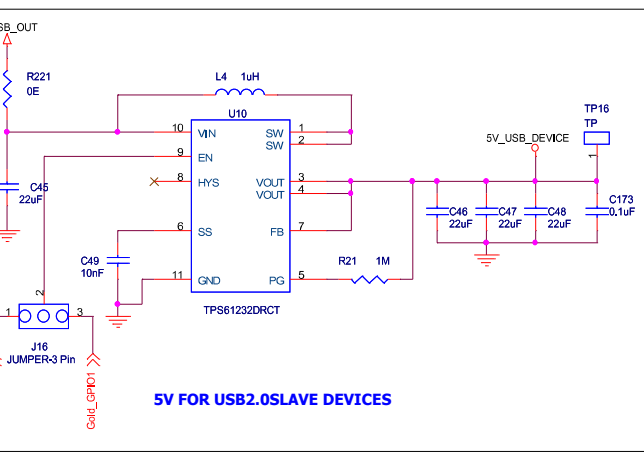
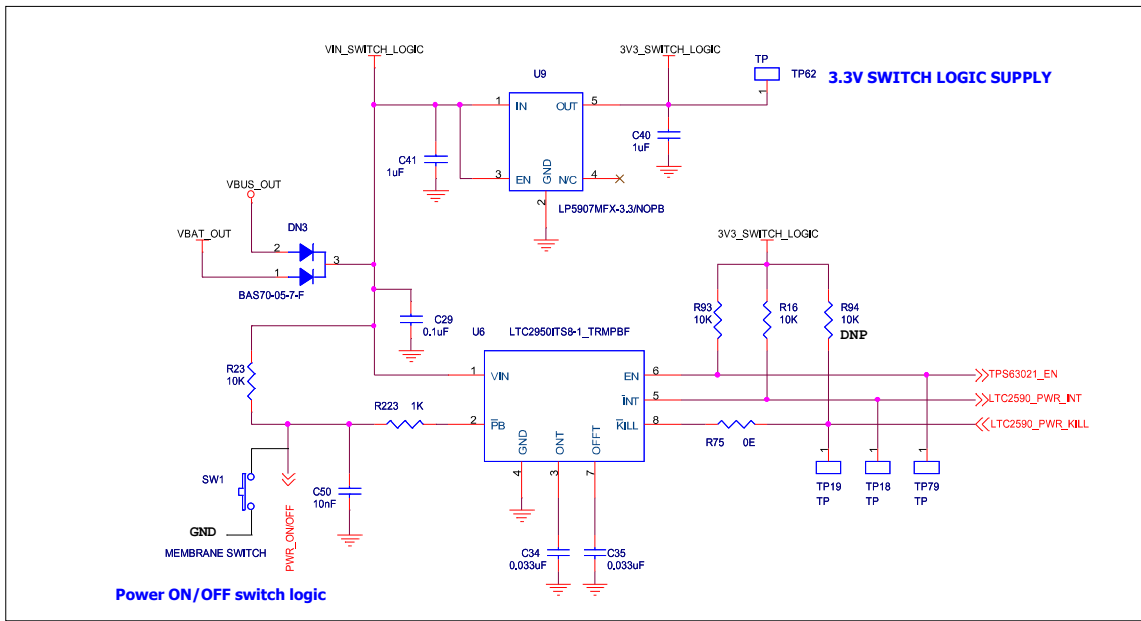
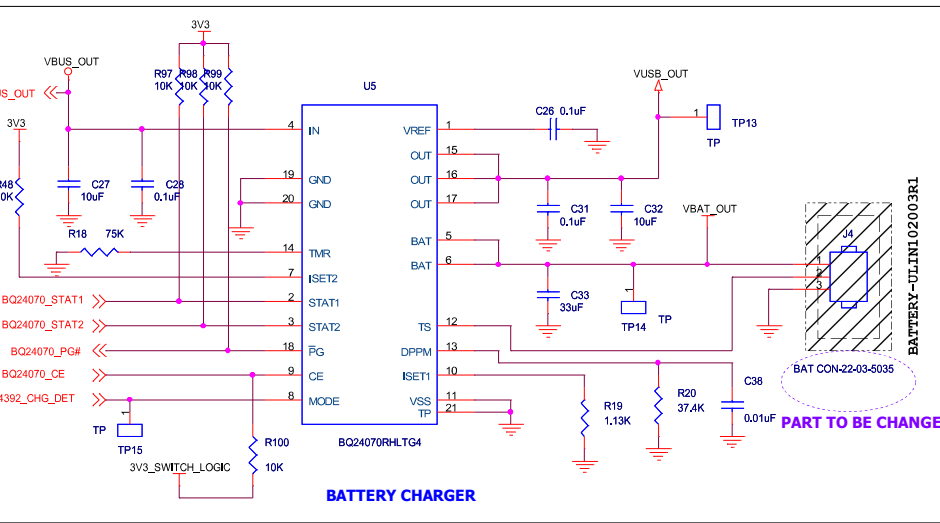
USB HUB



<p>CONFIDENTIAL</p> <p>THIS DOCUMENT IS A PROPERTY OF ABB AND CONTAINS INFORMATION WHICH IS CONFIDENTIAL AND PROPRIETARY TO ABB NO PART OF THIS DRAWING IS TO BE COPIED, REPRODUCED OR DISCLOSED TO THIRD PARTIES WITHOUT THE WRITTEN CONSENT OF ABB.</p>		<p>ABB</p>	
		<p>PROJECT Verification Tool EMF measurement adapter (Device Specific Adaptor - DSA)</p>	
<p>TITLE USB HUB</p>		<p>REVISION</p>	
<p>DOCUMENT NO</p>		<p>STARTING DATE : Wednesday, August 30, 2017</p>	
<p>LAST UPDATE DATE :</p>		<p>SHEET 3 OF</p>	



<p>CONFIDENTIAL</p> <p>THIS DOCUMENT IS A PROPERTY OF ABB AND CONTAINS INFORMATION WHICH IS CONFIDENTIAL AND PROPRIETARY TO ABB. NO PART OF THIS DRAWING IS TO BE COPIED, REPRODUCED OR DISCLOSED TO THIRD PARTIES WITHOUT THE WRITTEN CONSENT OF ABB.</p>	ABB	
	PROJECT Verification Tool EMP measurement adapter (Device Specific Adaptor - DSA)	
	TITLE USB-AB	
	DOCUMENT NO	REV
	STARTING DATE : Wednesday, August 30, 2017	SHEET
LAST UPDATE DATE :		



CONFIDENTIAL	
THIS DOCUMENT IS A PROPERTY OF ABB AND CONTAINS INFORMATION WHICH IS CONFIDENTIAL AND PROPRIETARY TO ABB. NO PART OF THIS DRAWING IS TO BE COPIED, REPRODUCED OR DISCLOSED TO THIRD PARTIES WITHOUT THE WRITTEN CONSENT OF ABB.	
ABB	
PROJECT	Verification Tool EMF measurement adapter (Device Specific Adaptor - DSA)
TITLE	POWER SUPPLY
DOCUMENT NO	REV
STARTING DATE : Wednesday, August 30, 2017	
LAST UPDATE DATE :	SHEET 4 OF 9