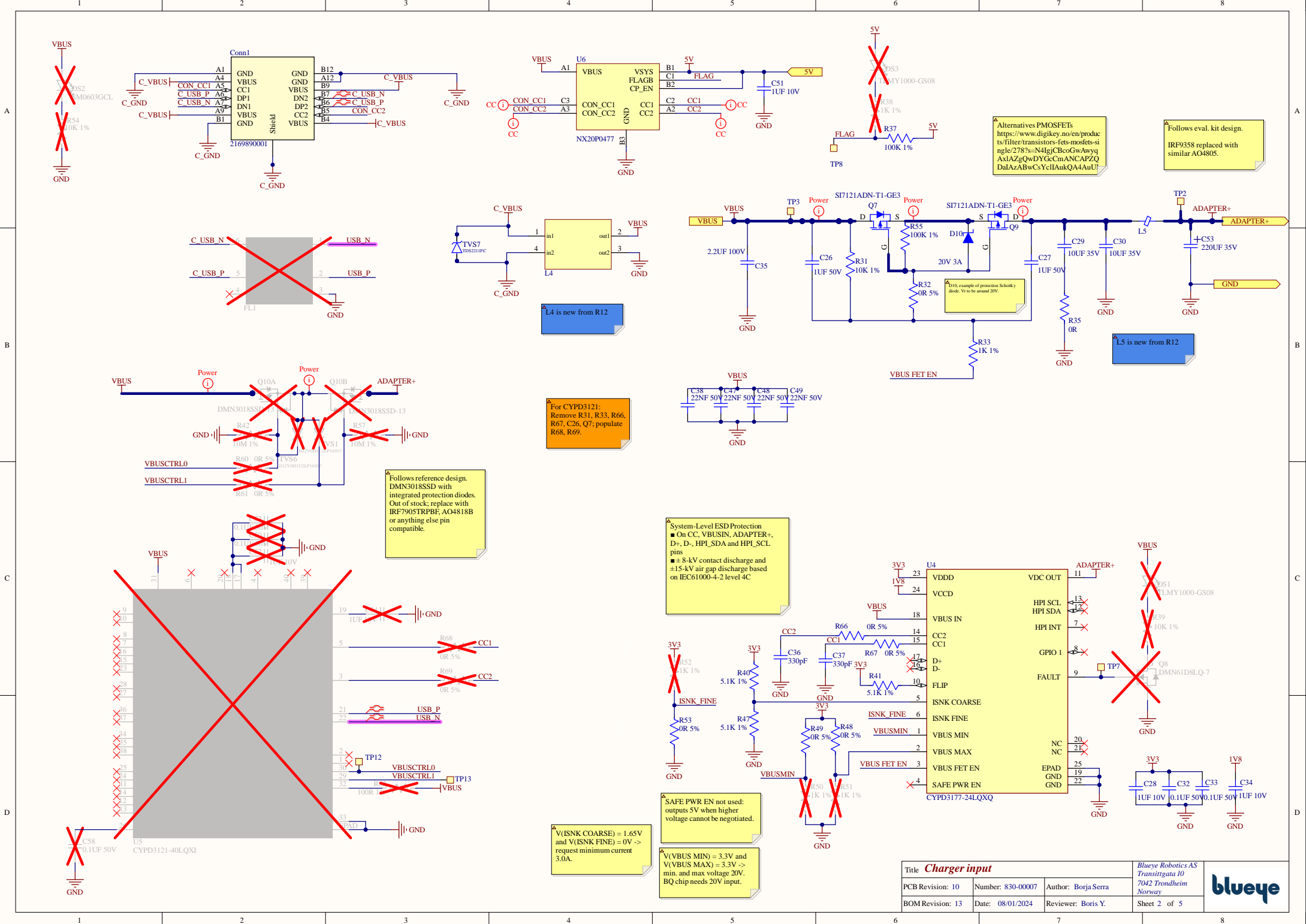


Title Top level			Blueye Robotics AS Transittgata 10 7042 Trondheim Norway
PCB Revision: 10	Number: 830-00007	Author: Borja Serra	
BOM Revision: 13	Date: 08/01/2024	Reviewer: Boris Y.	Sheet 1 of 5





Alternatives PMOSFETs
<https://www.digikey.no/en/products/filter/transistors-fets-mosfets-si>
 ngle/278?s=N4lgICBoGwAwyq
 As1AZgQwDYGcMAnCAPZQ
 DaIAzABwCsYcIIAukQA4AuU7

Follows eval. kit design.
 IRF9358 replaced with
 similar AO4805.

D10, example of protection Schottky
 diode. V_{ro} to be around 20V.

L4 is new from R12

L5 is new from R12

For CYPD3121:
 Remove R31, R33, R66,
 R67, C26, Q7; populate
 R68, R69.

Follows reference design.
 DMN3018SSD with
 integrated protection diodes.
 Out of stock; replace with
 IRF7905TRPBF, AO4818B
 or anything else pin
 compatible.

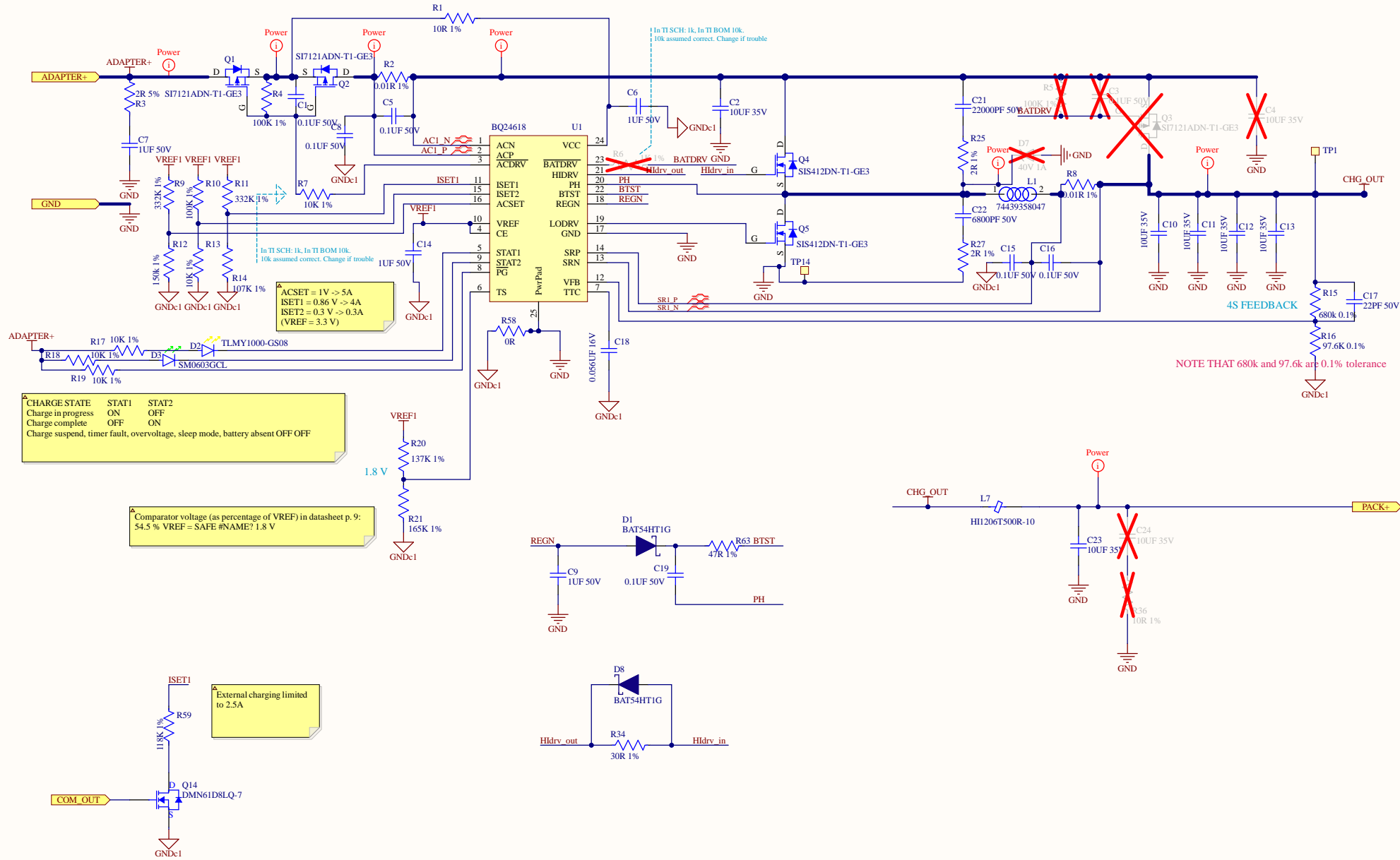
System-Level ESD Protection
 On CC, VBUSIN, ADAPTER+,
 D+, D-, HPL_SDA and HPL_SCL
 pins
 ± 8-kV contact discharge and
 ±15-kV air gap discharge based
 on IEC61000-4-2 level 4C

SAFE PWR EN not used:
 outputs 5V when higher
 voltage cannot be negotiated.

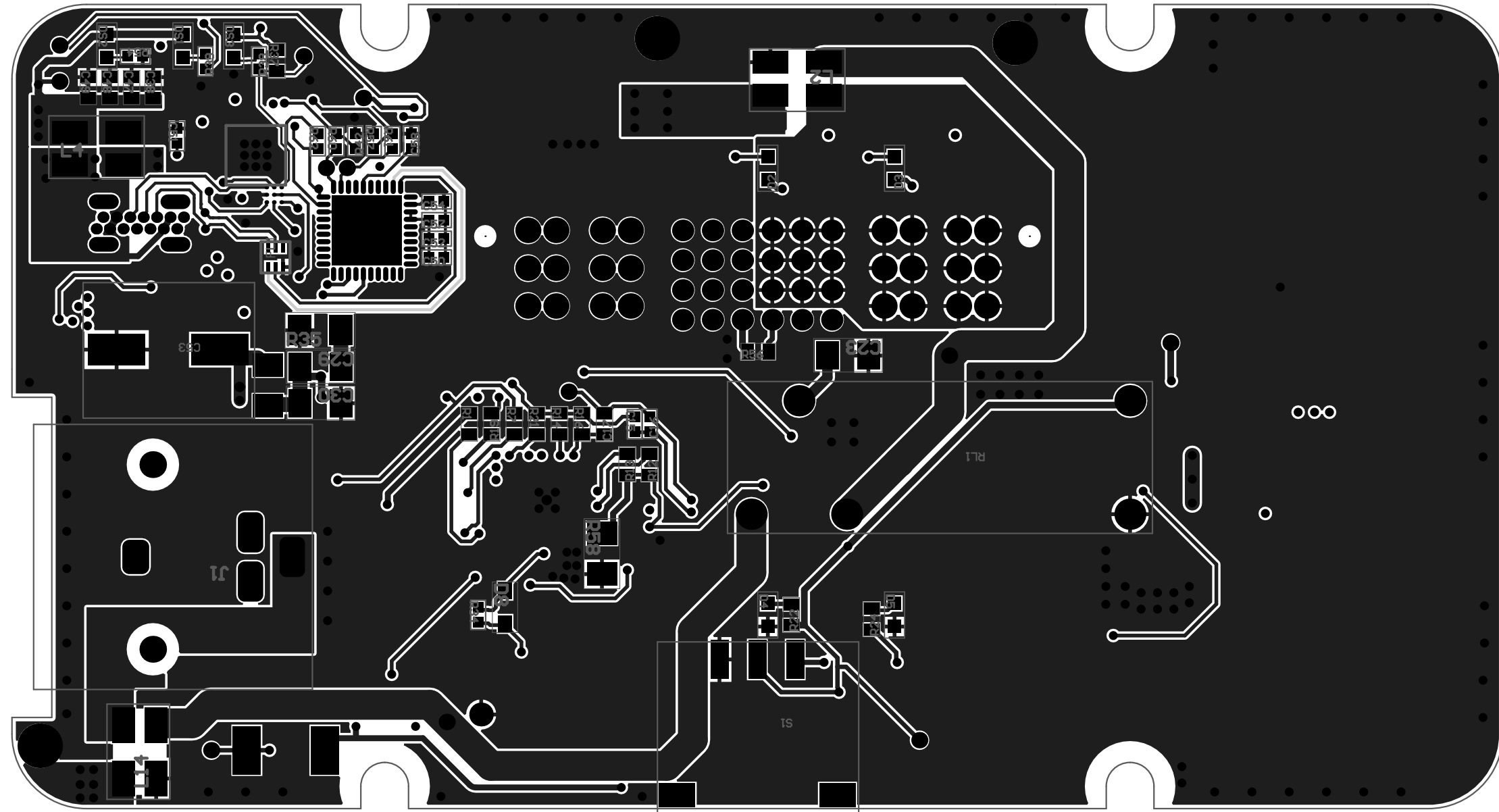
V(ISNK COARSE) = 1.65V
 and V(ISNK FINE) = 0V ->
 request minimum current
 3.0A.

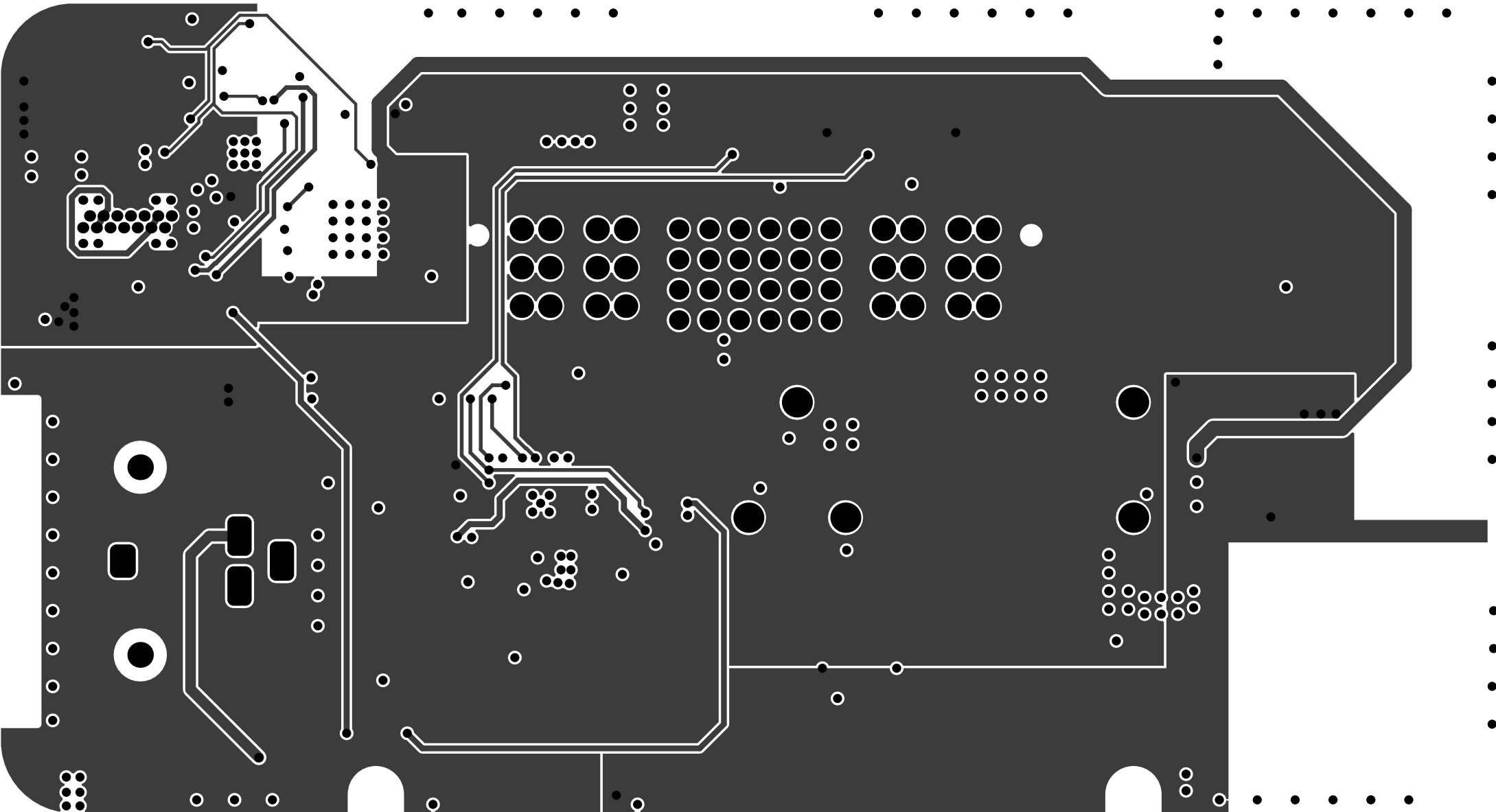
Title Charger input			Blueye Robotics AS Transitgata 10 7042 Trondheim Norway
PCB Revision: 10	Number: 830-00007	Author: Borja Serra	Sheet 2 of 5
BOM Revision: 13	Date: 08/01/2024	Reviewer: Boris Y.	

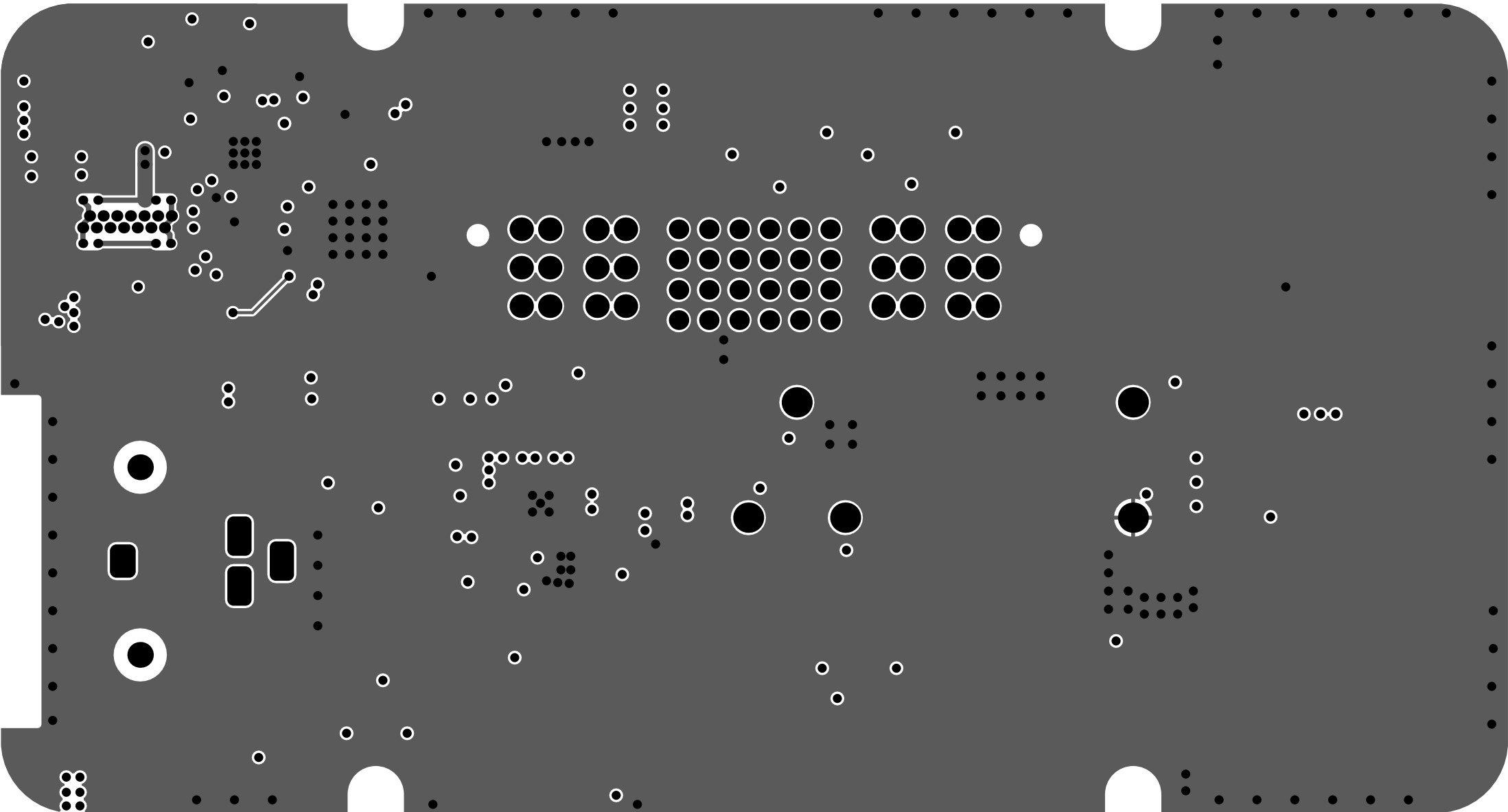




Top assembly







Bottom assembly

