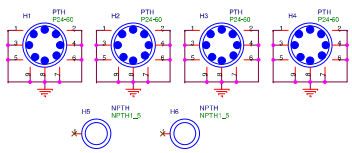
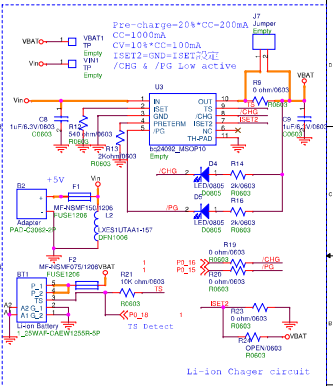
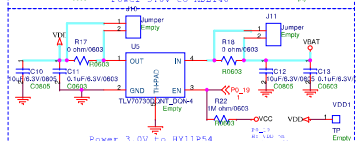
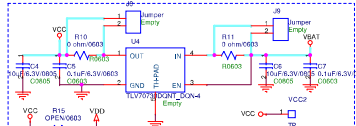


20mil
40mil
80mil



DESIGN		Rev	Cakcomp scope	
DATE		Sub	Document Number	Rev
REV		A	Battery charge and LDO circuit	0.2
DATE		01/28/2016	Sheet	2 of 4