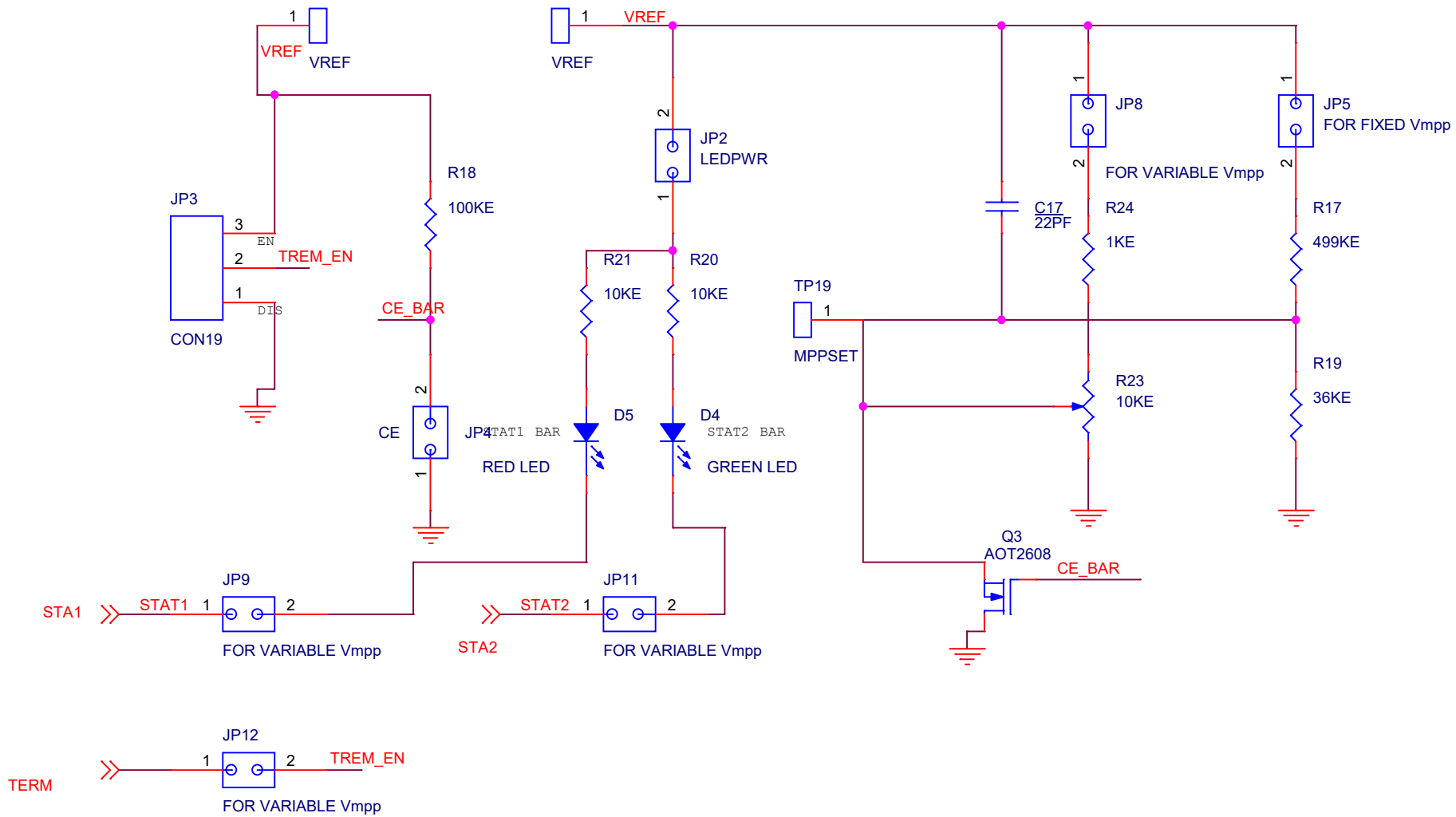


Title		
<BQ24650_EVM_V1.0>		
Size	Document Number	Rev
A	<V1.0>	<Rev 1>
Date:	Thursday, February 09, 2017	Sheet 1 of 1



Title			
<BQ24650 EVM V1.0 SETTING & LED INDICATOR>			
Size	Document Number	Rev	
A	V1.0>	<Rev 1>	
Size	Document Number	Rev	
A	<Doc>	<Rev Co	
Date	Thursday, February 09, 2017	Sheet	1 of 1
Date:	Thursday, February 09, 2017	Sheet	1 of 1