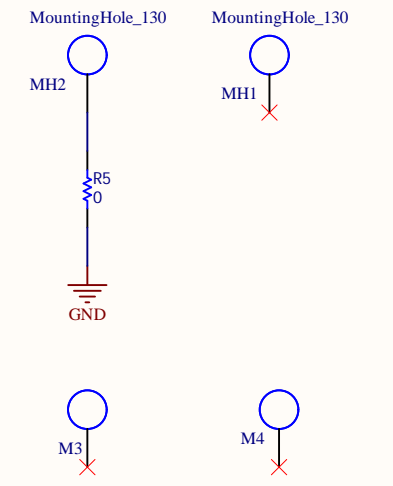


**EXPORT NOTICE**  
 Information included herein is controlled by the Export Administration Regulations (EAR) and may require an export license, license exception or other approval from the appropriate U.S. Government agency before being exported from the United States, reexported, transferred, or retransferred to any non-U.S. person. Diversion contrary to U.S. law is prohibited.

ECCN#: EAR99



- SW BOM Item  
SWxxxxxx-NFC  
<sw name>
- TDY  
Logo
- ESD  
Logo
- Label  
Outline
- Test Procedure  
Dxxxxxx-NFC-TP
- Schematic  
Cxxxxxx-NFC
- ASSY  
Num
- Bare PCB  
Pxxxxxx-NFC  
Rev r

INITIAL RELEASE	NAME	DATE
DRAWN	RMC	2023-01-09
CHECKED	JCK	2023-01-17



**TELEDYNE  
WEBB RESEARCH**  
Everywhereyoulook™

49 Edgerton Drive North Falmouth, Ma 02556 508-563-1000

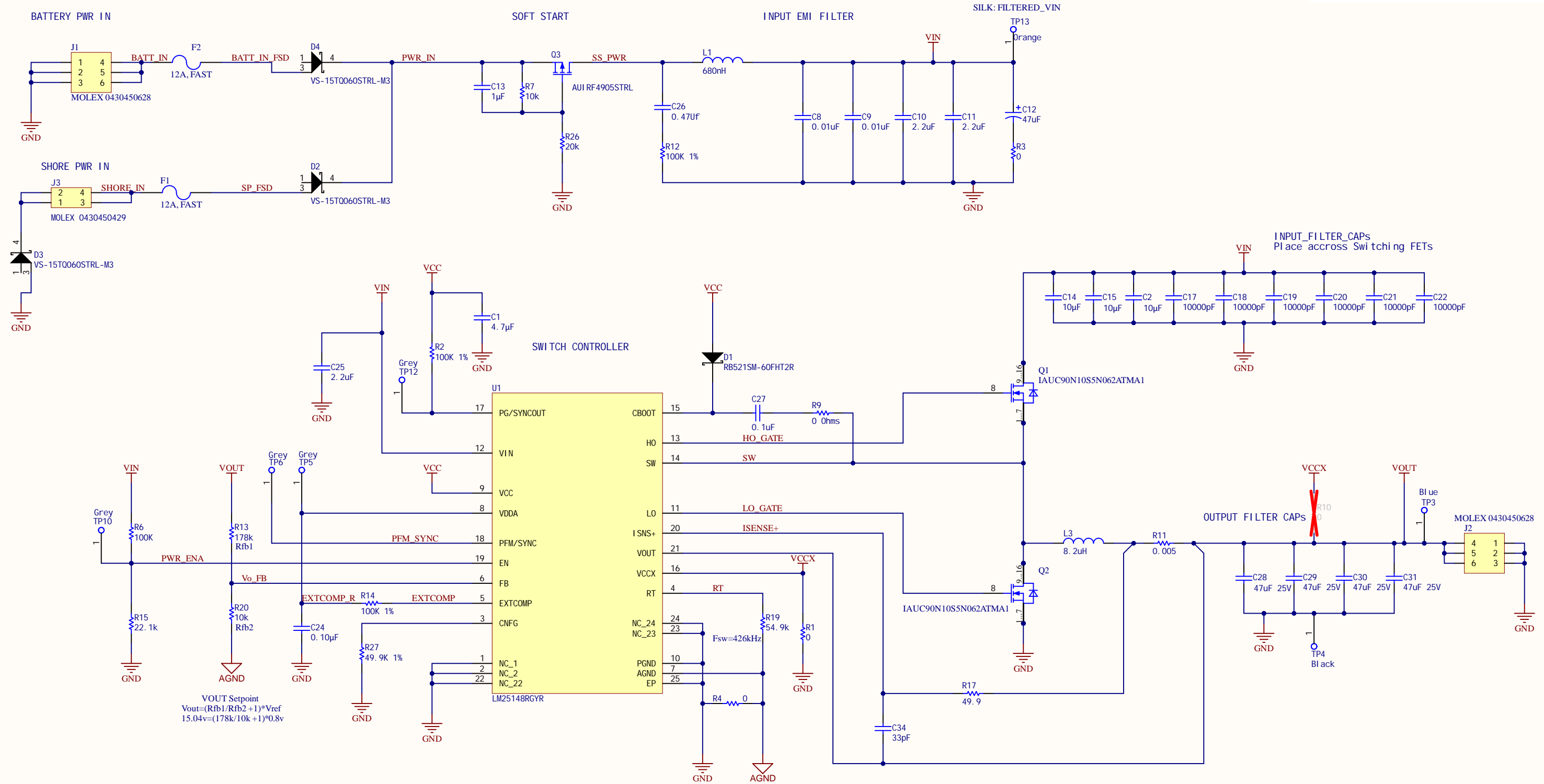
**PROPRIETARY**

This document and the information contained herein is proprietary to Teledyne Webb Research, a business unit of Teledyne Instruments, Inc. and may not be used, reproduced or disclosed without the express written consent of Teledyne Webb Research, 49 Edgerton Dr., North Falmouth, MA 02556.

Title: <b>Assy, Sentinel Aft Buck Regulator</b>		Revision: <b>2</b>
Size: <b>B</b>	Schematic Number: <b>C313696-NFC-Default</b>	Sheet: <b>1 of 3</b>
File: TopSheet.SchDoc		

Date	Zone	Rev	ECO	Description	Drn	Chk	Appr
07/17/23	N/A	02	N/A	Add soft start circuit	RMC	JCK	BDA

- FID1
- FID2
- FID3
- FID4
- FID5
- FID6

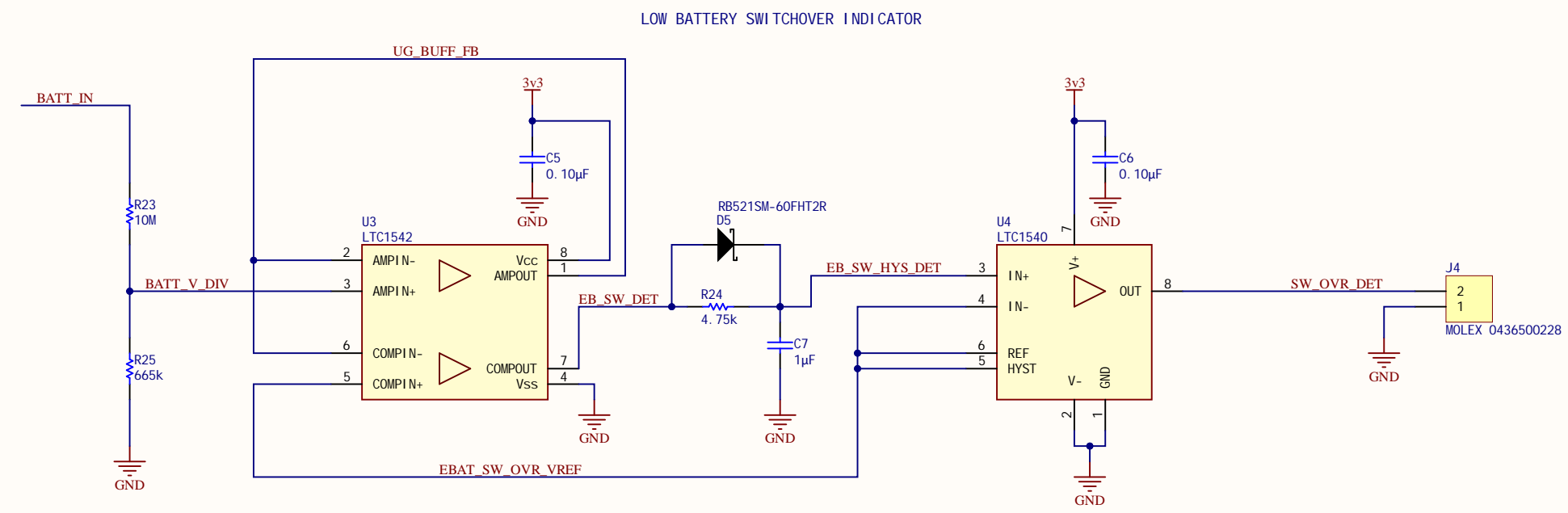
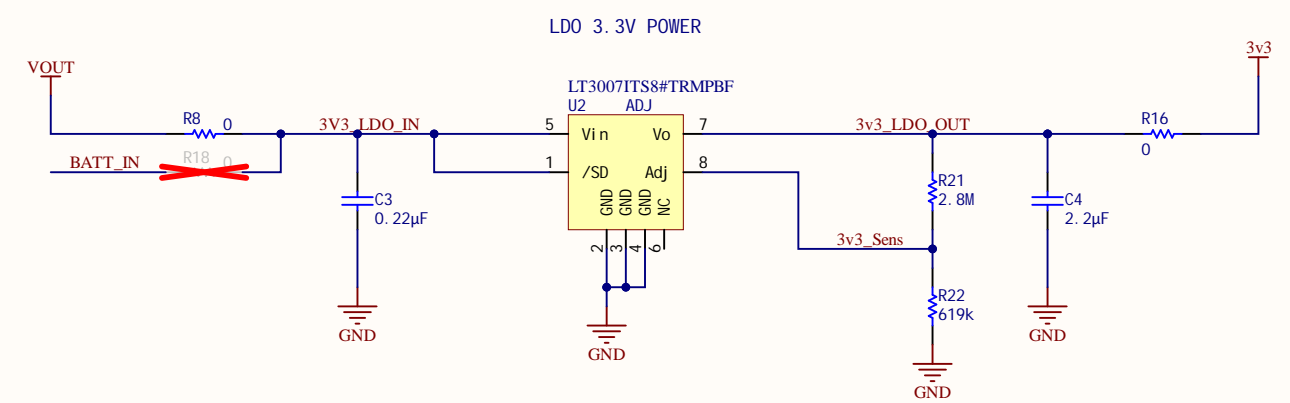


VOUT Setpoint  
 $V_{out} = (R_{fb1}/R_{fb2} + 1) * V_{ref}$   
 $15.04v = (178k/10k + 1) * 0.8v$

INITIAL RELEASE	NAME	DATE
DRAWN	RMC	2023-01-09
CHECKED	JCK	2023-01-17

**PROPRIETARY**  
 This document and the information contained herein is proprietary to Teledyne Webb Research, a business unit of Teledyne Instruments, Inc. and may not be used, reproduced or disclosed without the express written consent of Teledyne Webb Research, 49 Edgerton Dr., North Falmouth, MA 02556.

<p><b>TELEDYNE WEBB RESEARCH</b> Everywhere you look™</p> <p>49 Edgerton Drive North Falmouth, MA 02556 508-563-1000</p>		<p>Title:  <b>Assy, Sentinel Aft Buck Regulator</b></p>	
		<p>Size: B Schematic Number  <b>C313696-NFC-</b></p>	<p>Revision  <b>2</b></p>
<p>File:          C313696-NFC_Sheet2.SchDoc</p>		<p>Sheet  <b>2 of 3</b></p>	



INITIAL RELEASE	NAME	DATE
DRAWN	RMC	2023-01-09
CHECKED	JCK	2023-01-17



**PROPRIETARY**

This document and the information contained herein is proprietary to Teledyne Webb Research, a business unit of Teledyne Instruments, Inc. and may not be used, reproduced or disclosed without the express written consent of Teledyne Webb Research, 49 Edgerton Dr., North Falmouth, MA 02556.

Title:		Assy, Sentinel Aft Buck Regulator
Size:	Schematic Number	Revision
B	C313696-NFC-	2
File:	C313696-NFC_Sheet3.SchDoc	Sheet
		3 of 3