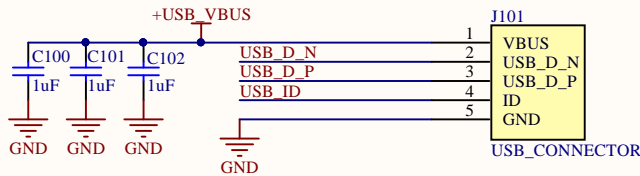
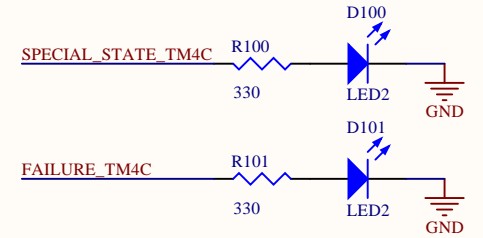
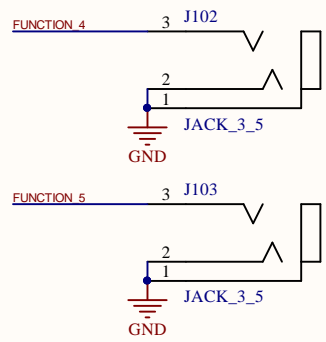
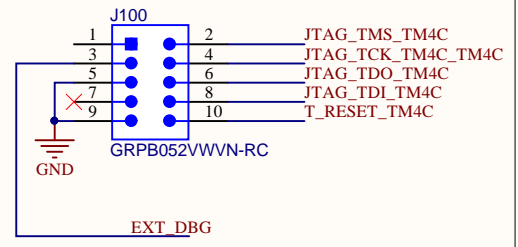
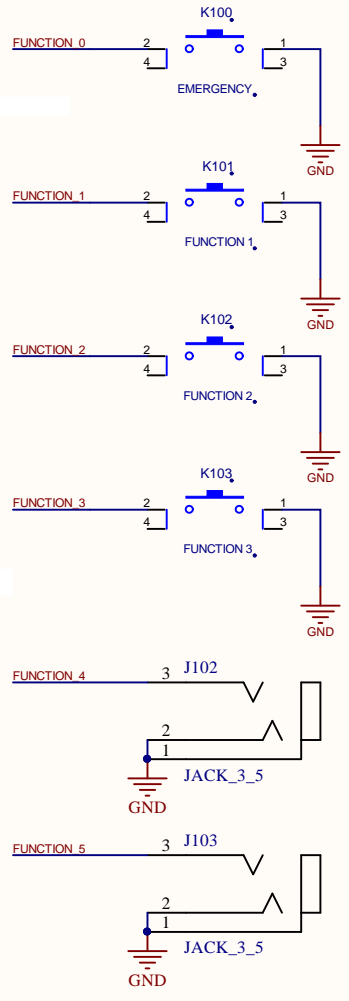
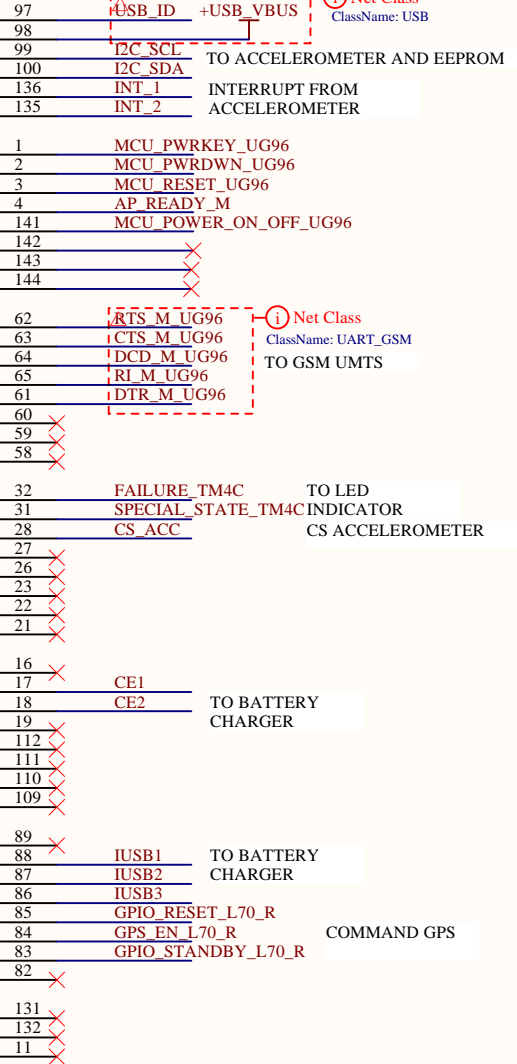
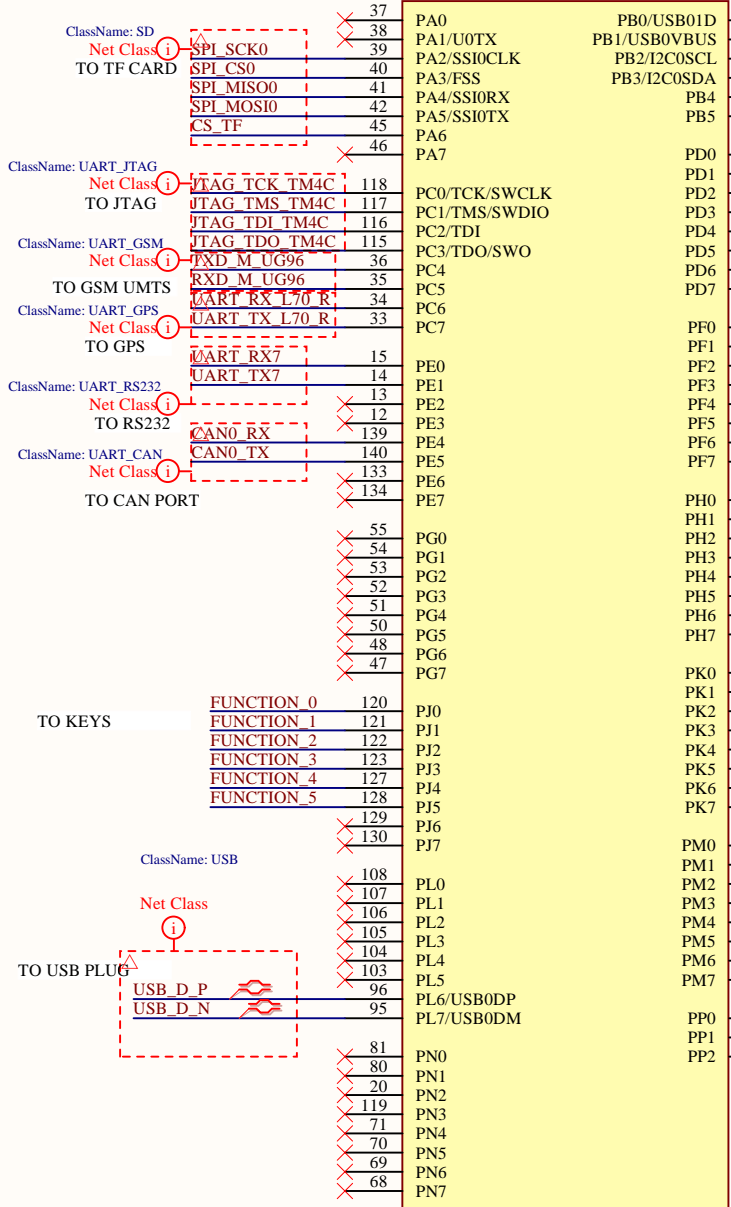
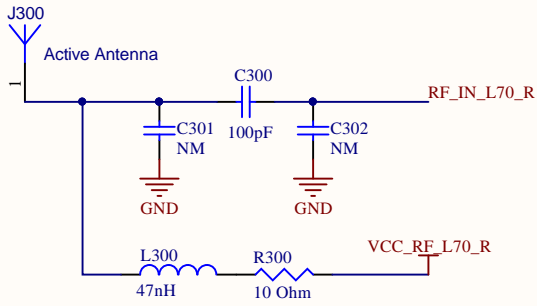


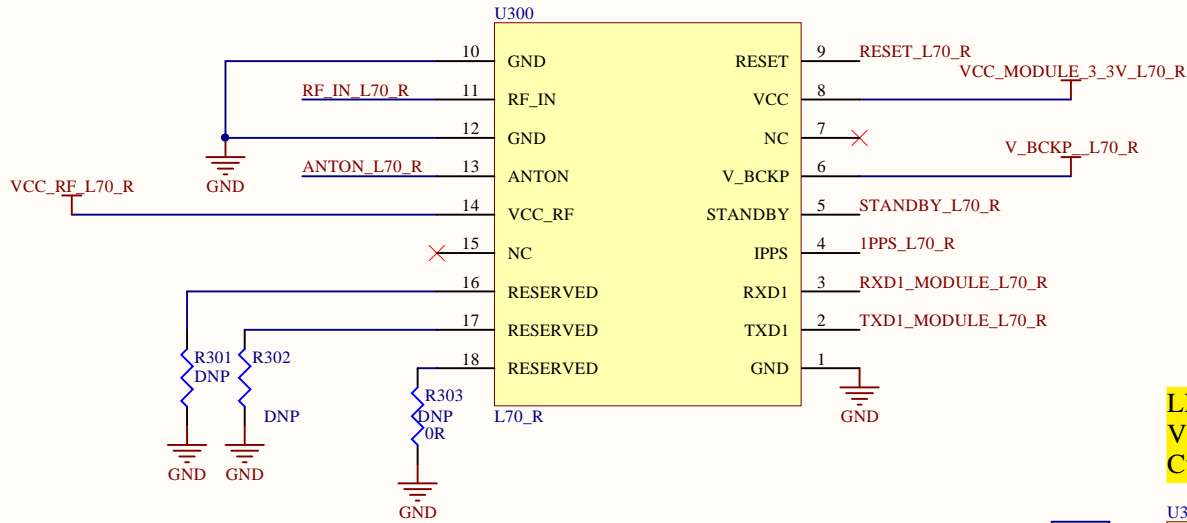
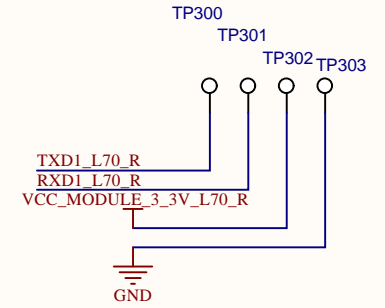
296-35846-ND
U100A



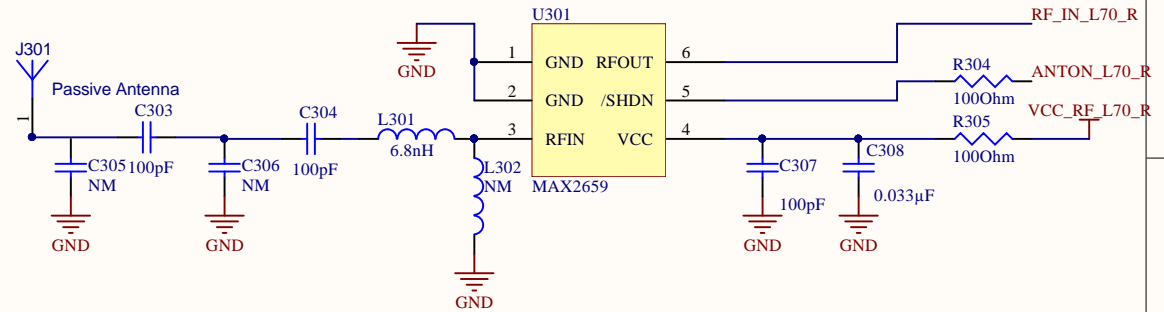
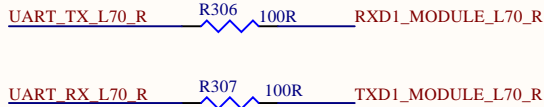
Title		
Size	Number	Revision
A4		
Date:	07/06/2016	Sheet of
File:	C:\Users\...\1 - MCU.SchDoc	Drawn By:



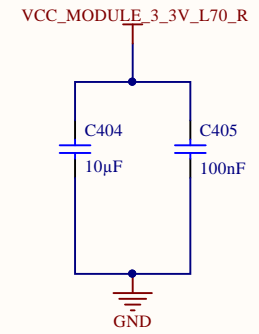
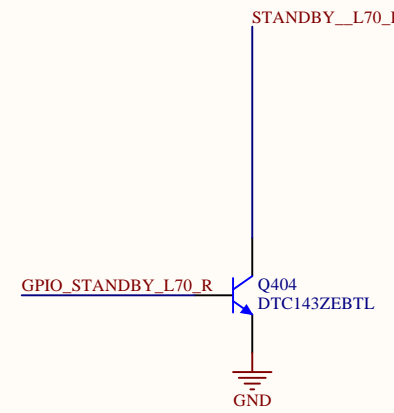
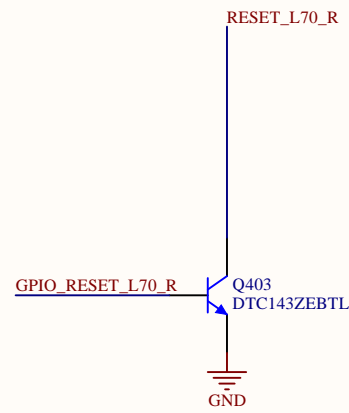
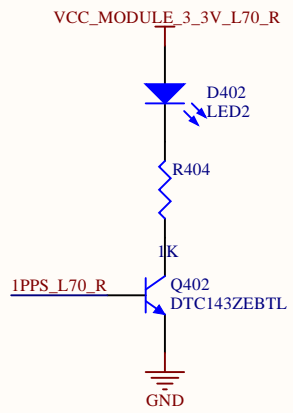
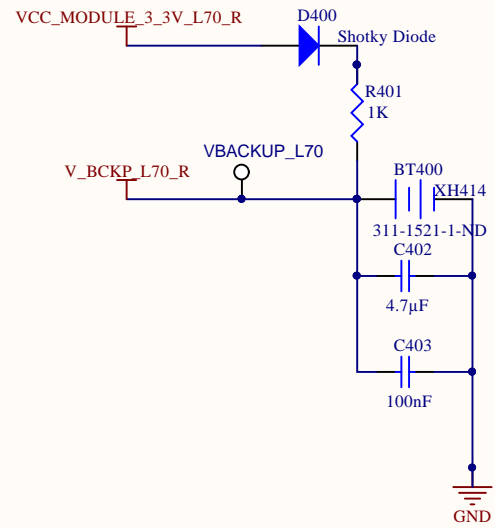
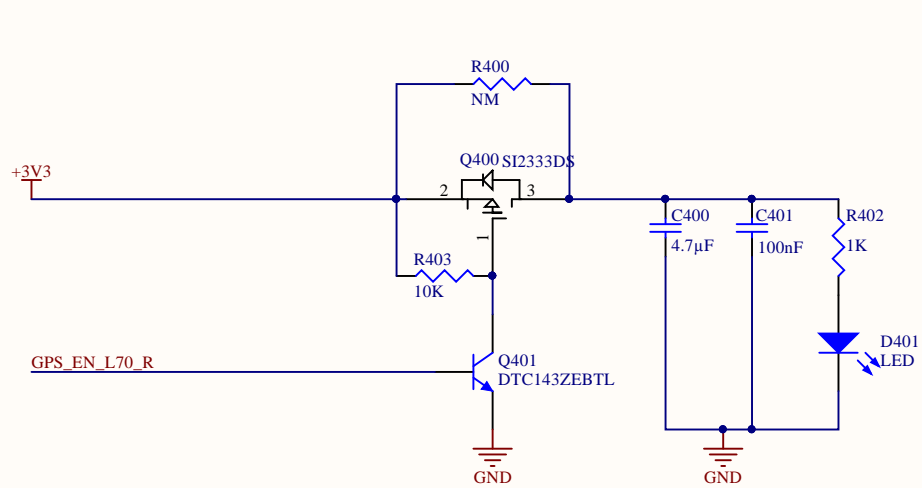
GPS MODULE
 Voltage: 2.8-4.3V (typ 3.3V) /
 supply current max 100mA



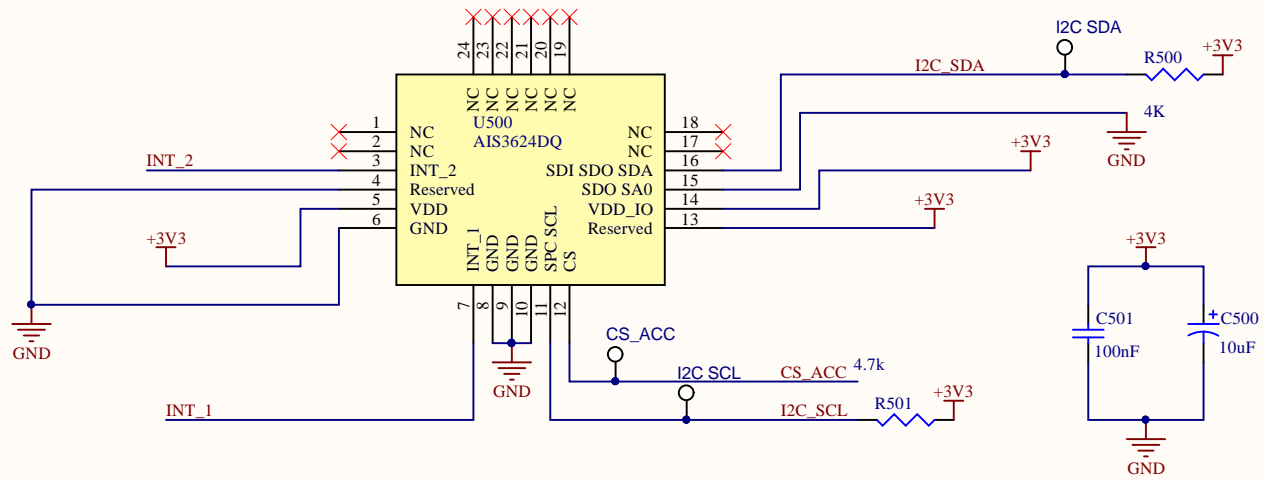
LNA
 Voltage: 1.6-3.3V
 Current : 4.1mA



Title		
Size	Number	Revision
A4		
Date:	07/06/2016	Sheet of
File:	C:\Users\...\3 - GPS_L70_R.SchDoc	Drawn By:



Title		
Size	Number	Revision
A4		
Date:	07/06/2016	Sheet of
File:	C:\Users\...\4 - GPS L70_R_POWER.Sch Down By:	

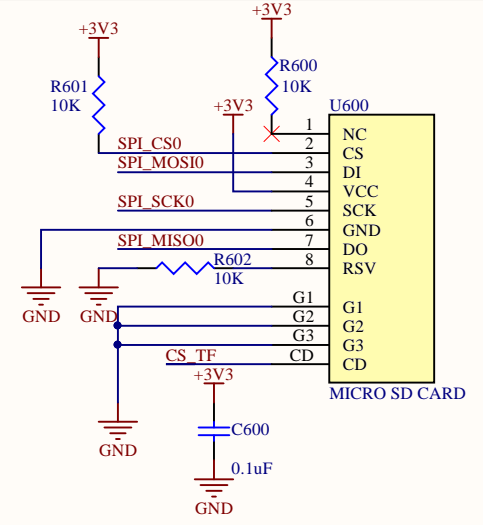


ACCELEROMETER
 Voltage: 2.4 V to 3.6 V (typ 3.3V)
 Current : max 250uA

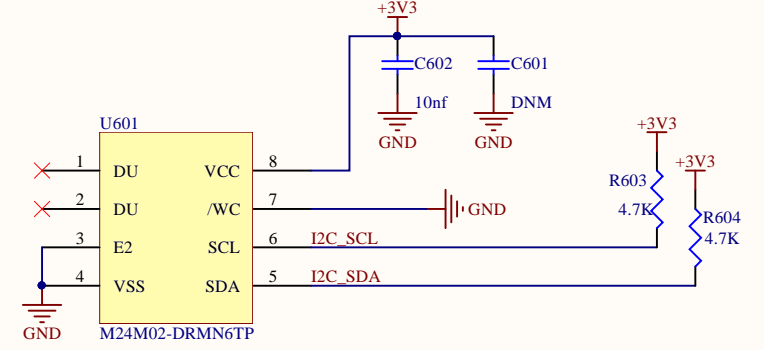
Power supply decoupling capacitors (100 nF ceramic, 10 μF aluminum) should be placed as near as possible to the pin 14 of the device (common design practice).

Title		
Size	Number	Revision
A4		
Date:	07/06/2016	Sheet of
File:	C:\Users\...\5 - ACCELEROMETER.SchDDrawn By:	

SD CARD
 Voltage: 2.7-3.6V (typ 3.3V)
 Current : max 45 mA

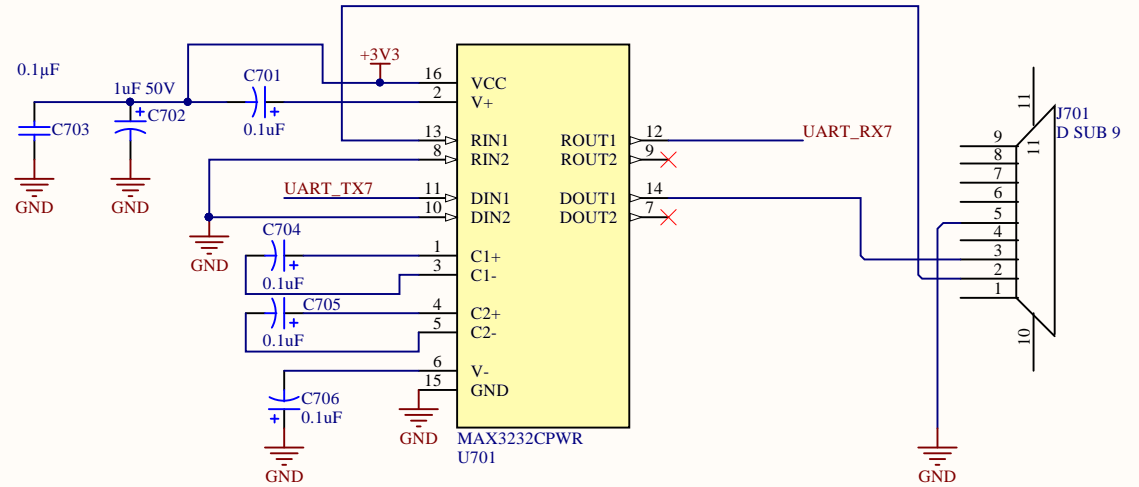
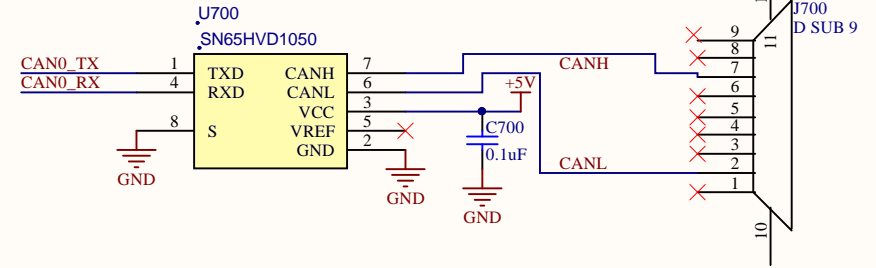
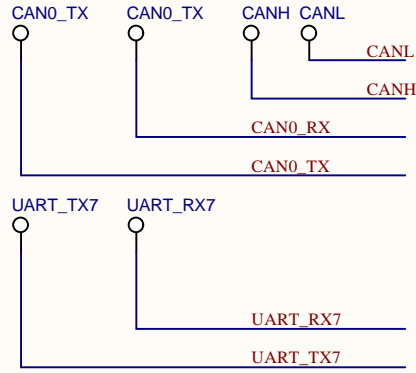


EEPROM
 Voltage: 1.8 V to 5.5 V (typ 3.3V)
 Current : max 5mA



Title		
Size	Number	Revision
A4		
Date:	07/06/2016	Sheet of
File:	C:\Users\...\6 - MEMORY.SchDoc	Drawn By:

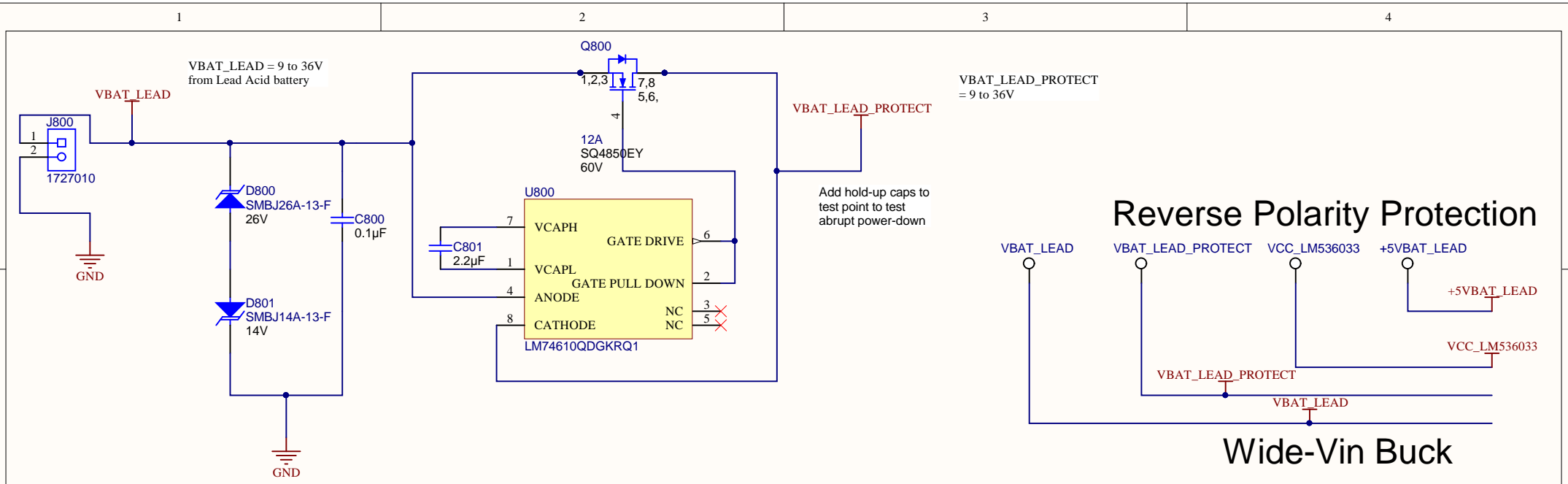
CAN PORT
 Voltage: +5V
 Current : max 70mA



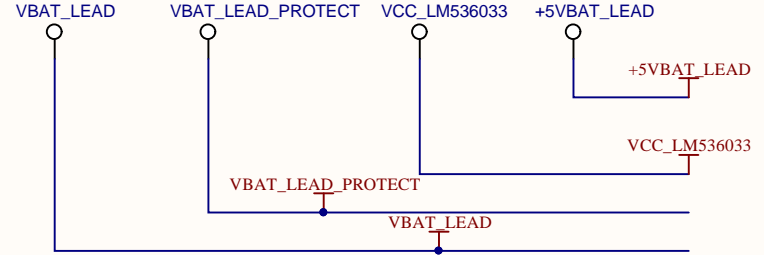
RS232 PORT
 Voltage: +3.3V
 Current : max 1 mA

Cannot open file
 C:\Users\2015\Desktop\layout.jpg

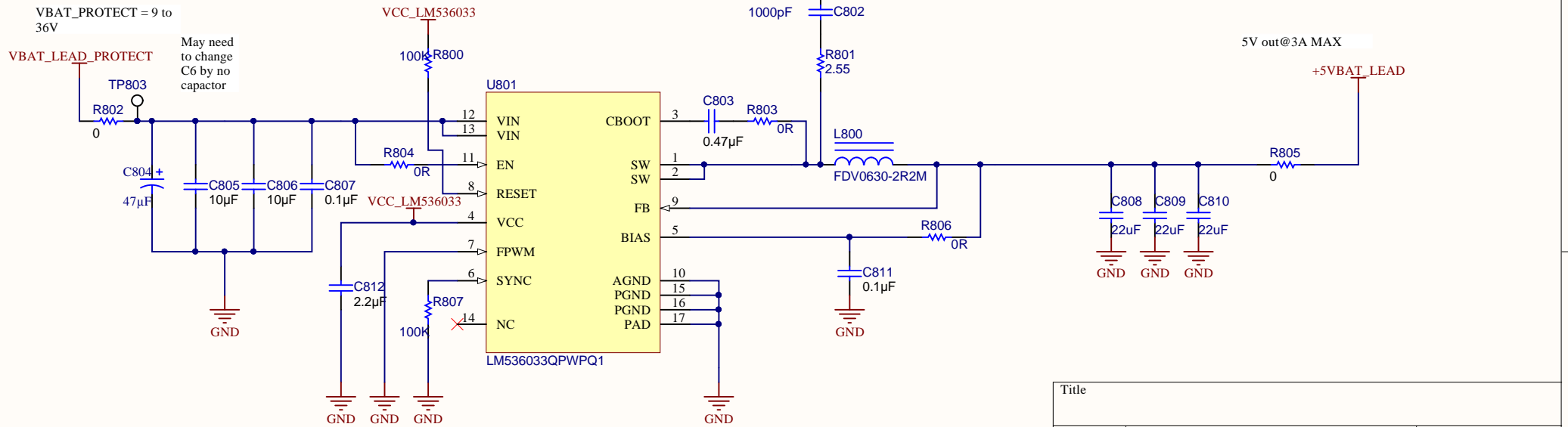
Title		
Size	Number	Revision
A4		
Date:	07/06/2016	Sheet of
File:	C:\Users\...7 - PORTS.SchDoc	Drawn By:



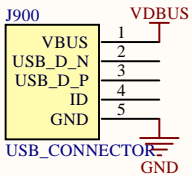
Reverse Polarity Protection



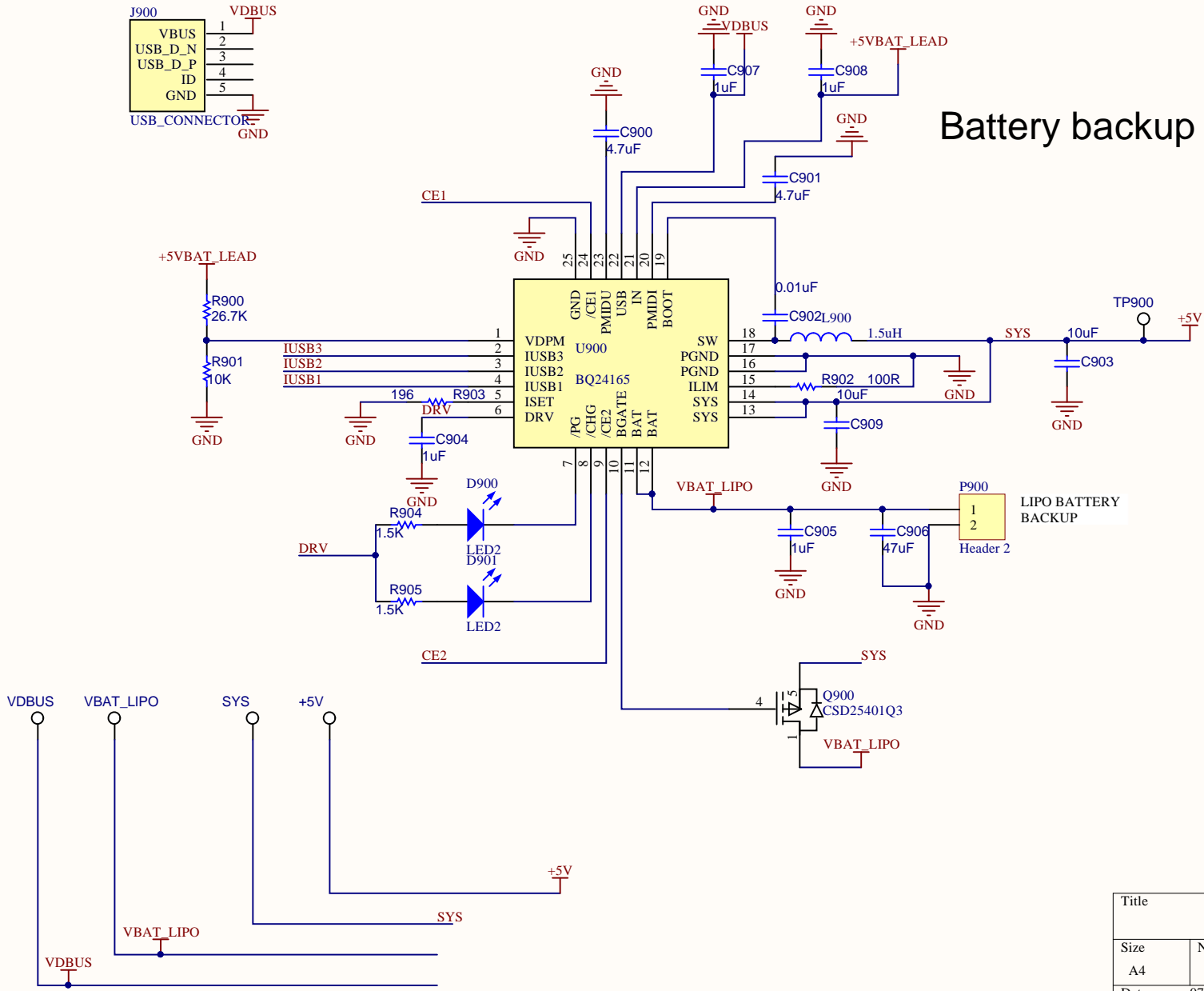
Wide-Vin Buck



Title		
Size	Number	Revision
A4		
Date:	07/06/2016	Sheet of
File:	C:\Users\...\8 - PROTECTION_DC_DC.sch Drawn By:	



Battery backup



Title		
Size	Number	Revision
A4		
Date:	07/06/2016	Sheet of
File:	C:\Users\...\9 - BATTERY_BACKUP.Sch Downn By:	

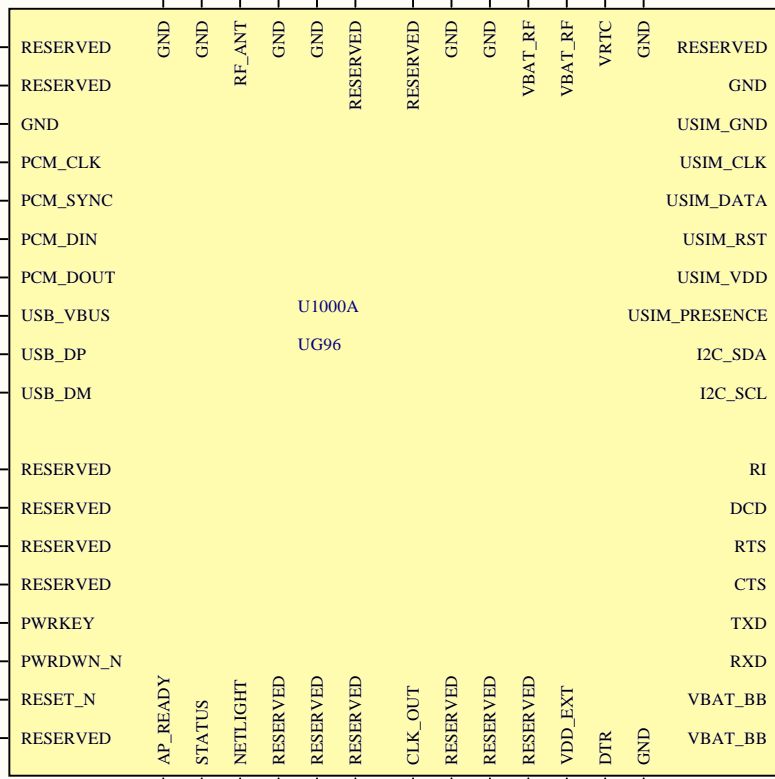
A
B
C
D

1

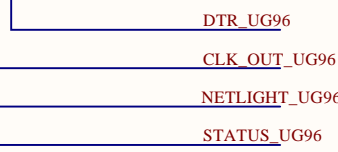
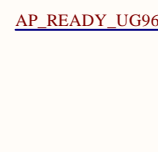
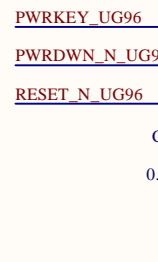
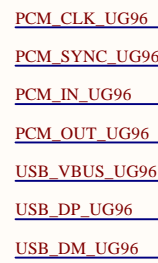
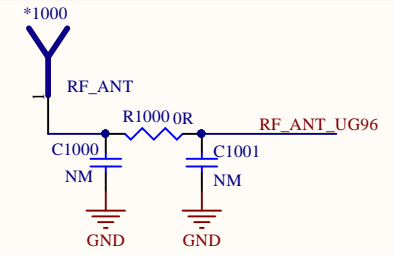
2

3

4



GSM MODULE
Voltage: 3.3-4.3V (typ 3.8V)
Current : max 2A



Title		
Size	Number	Revision
A4		
Date:	07/06/2016	Sheet of
File:	C:\Users\...\10 - GSM_UMTS_UG96.Sch	Drawn By:

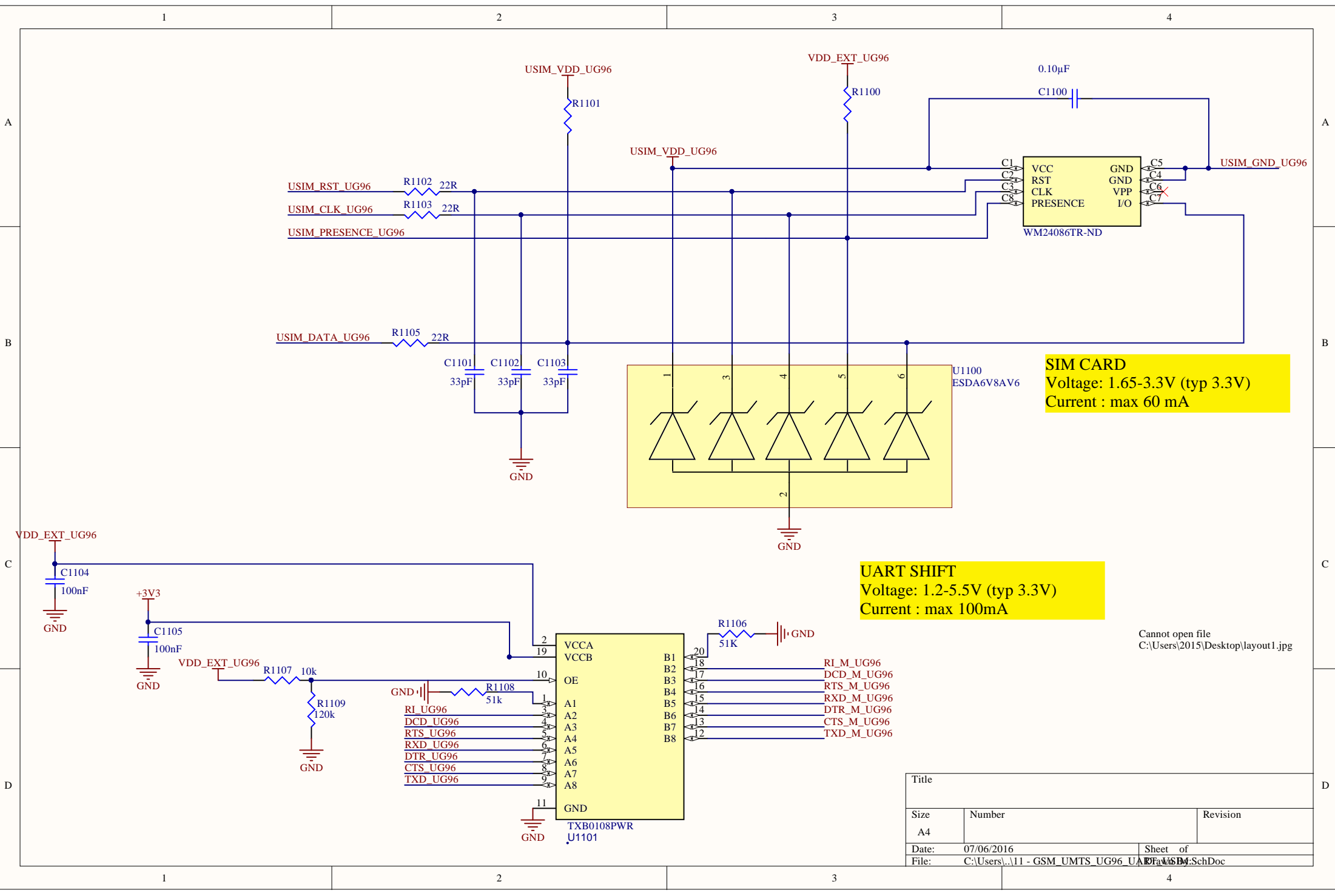
1

2

3

4

A
B
C
D

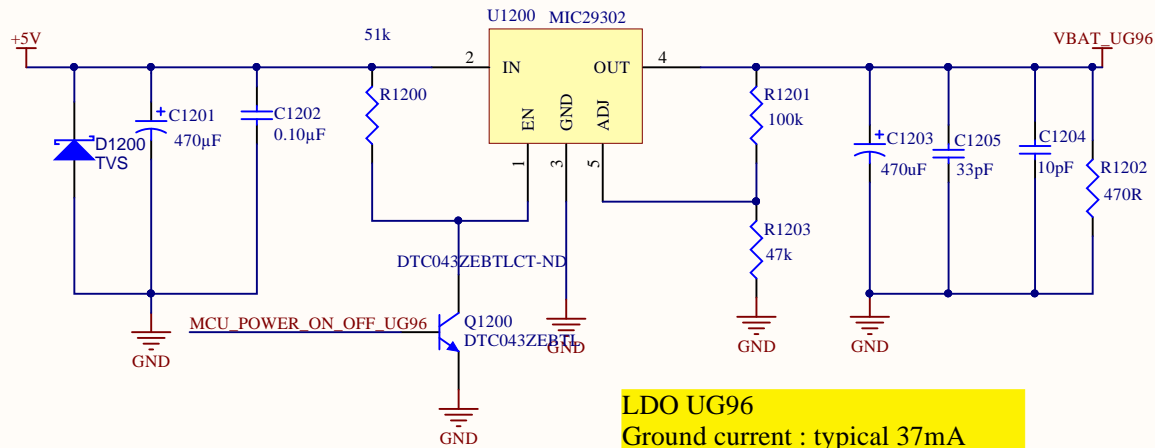


SIM CARD
 Voltage: 1.65-3.3V (typ 3.3V)
 Current : max 60 mA

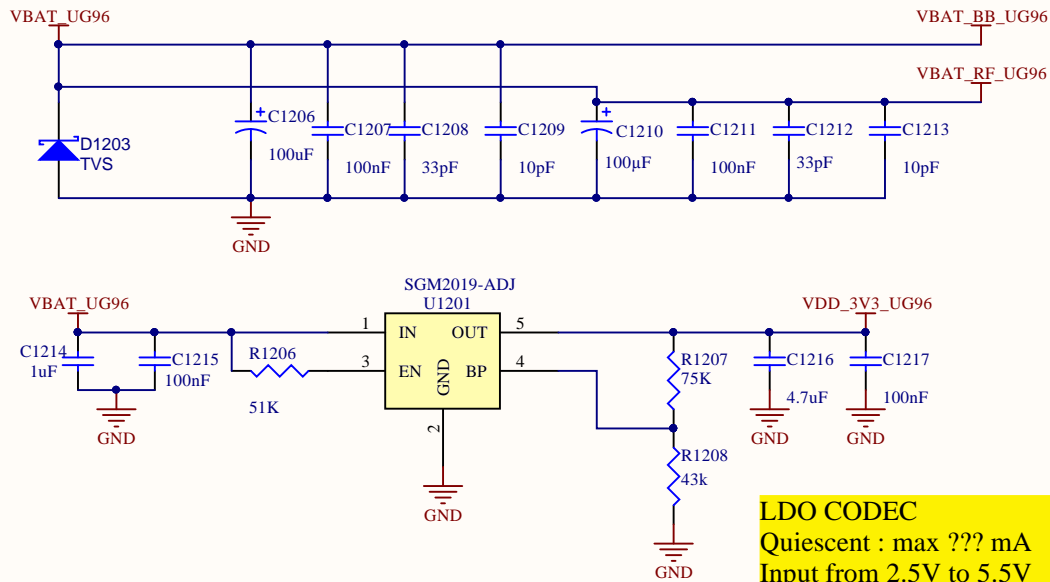
UART SHIFT
 Voltage: 1.2-5.5V (typ 3.3V)
 Current : max 100mA

Cannot open file
 C:\Users\2015\Desktop\layout1.jpg

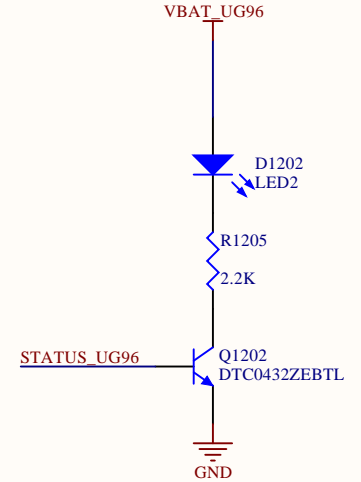
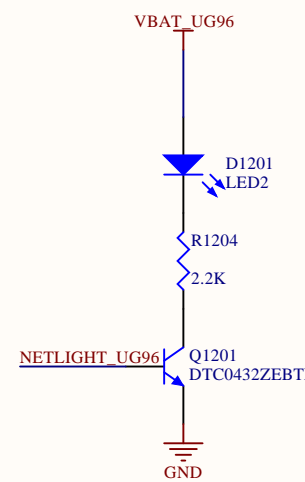
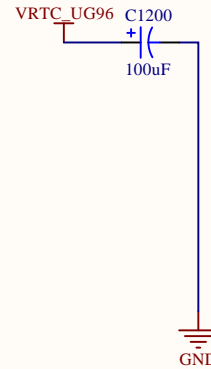
Title		
Size	Number	Revision
A4		
Date:	07/06/2016	Sheet of
File:	C:\Users\2015\Desktop\layout1.jpg	



LDO UG96
 Ground current : typical 37mA
 Output voltage: Adjustable
 Deliver max 3A

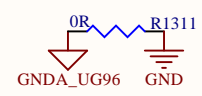
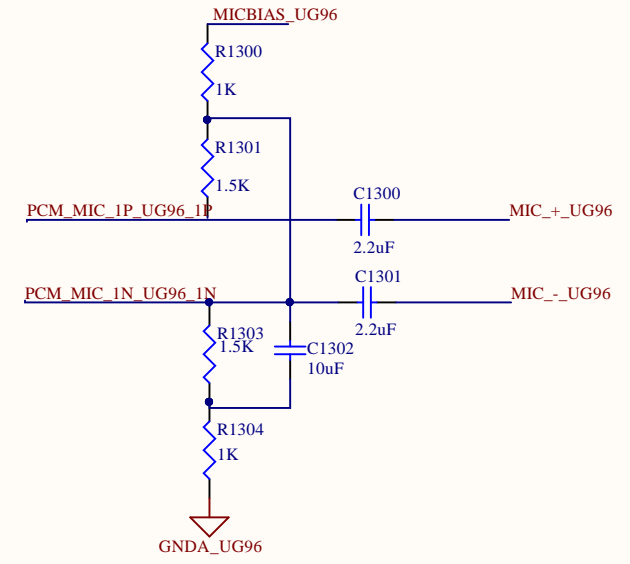
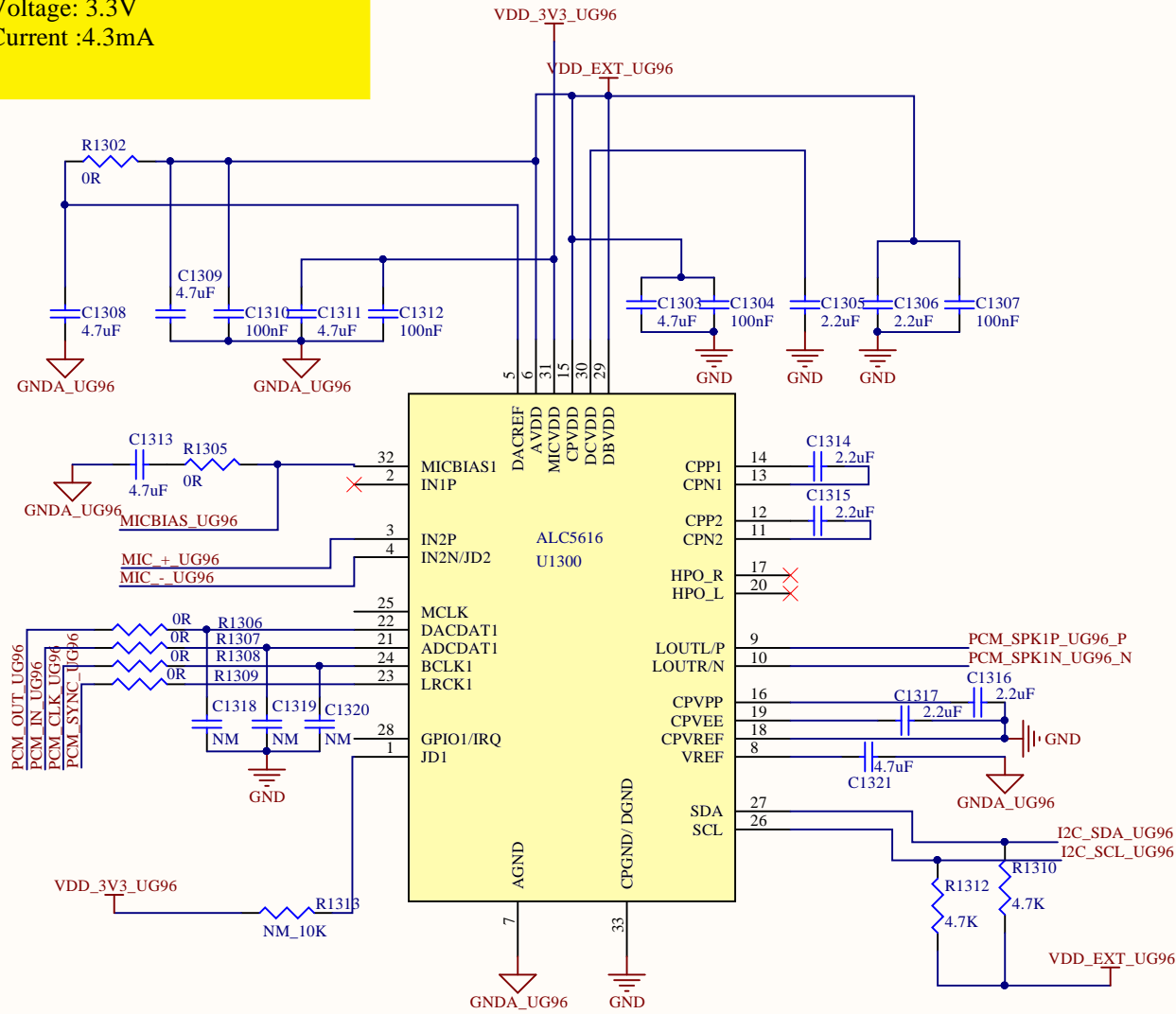


LDO CODEC
 Quiescent : max ??? mA
 Input from 2.5V to 5.5V
 Output from 0.8V to 5.0V
 Deliver max 250mA

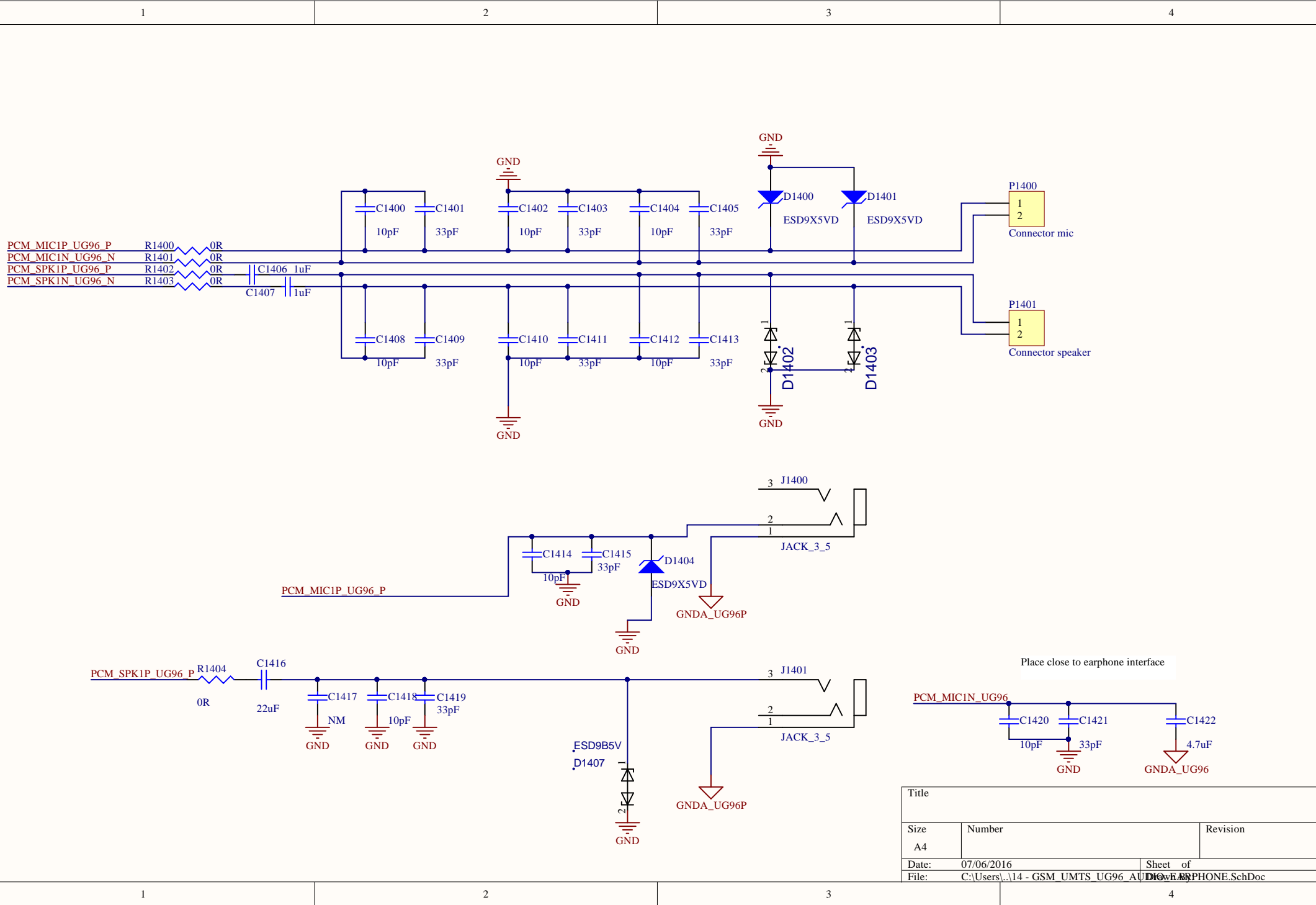


Title		
Size	Number	Revision
A4		
Date:	07/06/2016	Sheet of
File:	C:\Users\...\12 - GSM_UMTS_UG96 POWER SUPPLY.SchDoc	

AUDIO CODEC
 Voltage: 3.3V
 Current :4.3mA



Title		
Size	Number	Revision
A4		
Date:	07/06/2016	Sheet of
File:	C:\Users\...\13 - GSM_UMTS_UG96_AUDIO_CODEC.SchDoc	



Title		
Size	Number	Revision
A4		
Date:	07/06/2016	Sheet of
File:	C:\Users\...\14 - GSM_UMTS_UG96_AUDIO_INTERFACE.SchDoc	

1

2

3

4

A

A

B

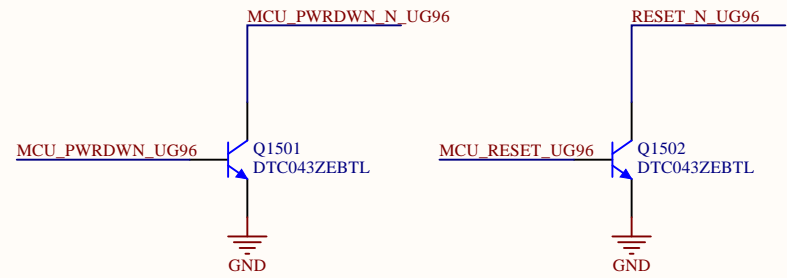
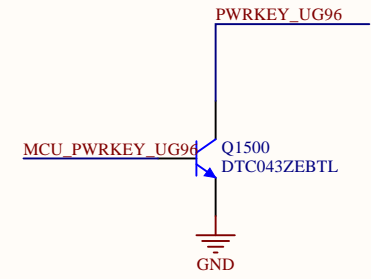
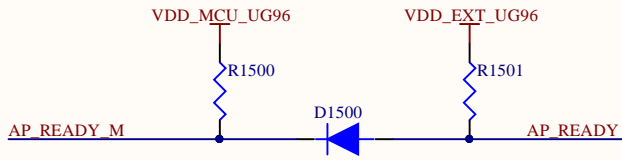
B

C

C

D

D



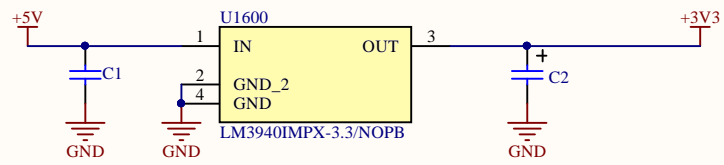
Title		
Size	Number	Revision
A4		
Date:	07/06/2016	Sheet of
File:	C:\Users\...\15 - GSM_UMTS_UG96_MCU_INTERFACE.SchDoc	

1

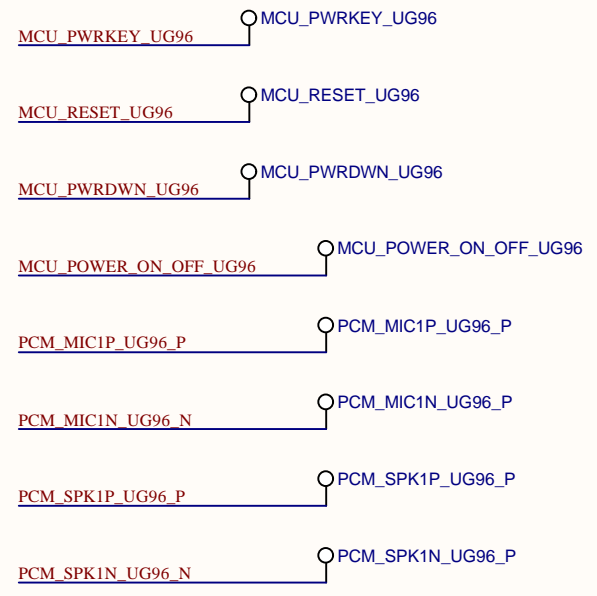
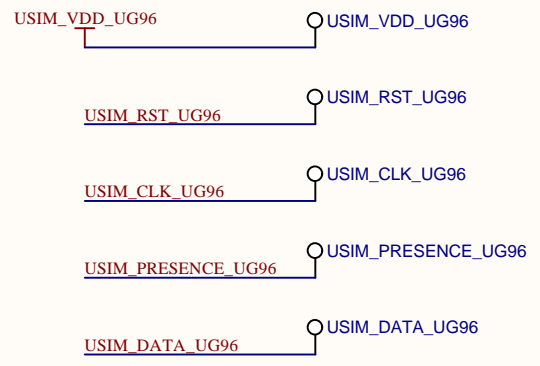
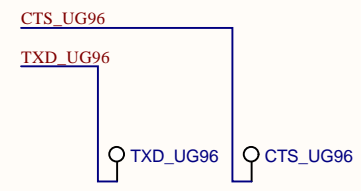
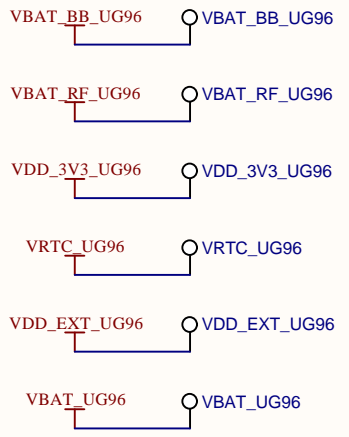
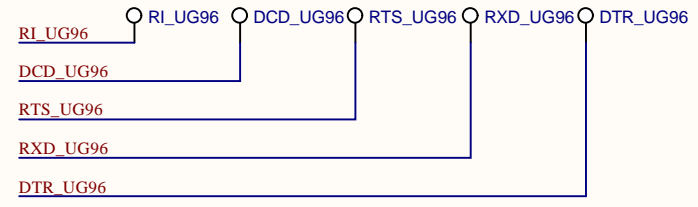
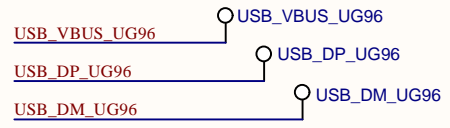
2

3

4



Title		
Size A4	Number	Revision
Date: 07/06/2016	Sheet of	
File: C:\Users\...\16 - LDO_5V_TO_3_3V.Sch		



Title		
Size A4	Number	Revision
Date:	07/06/2016	Sheet of
File:	C:\Users\...\17 - TEST_POINT_GSM.Sch Drawn By:	

1

2

3

4

A

A

B

B

C

C

D

D

Title		
Size	Number	Revision
A4		
Date:	07/06/2016	Sheet of
File:	C:\Users\...\18 - TEST_POINT_MCU.Sch Down By:	

1

2

3

4

