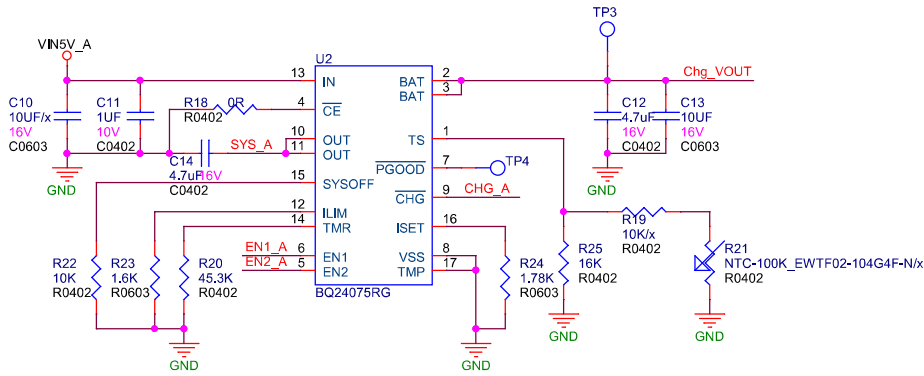
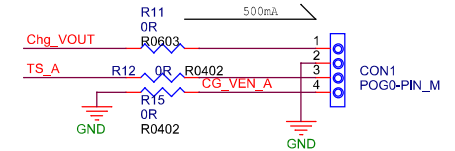
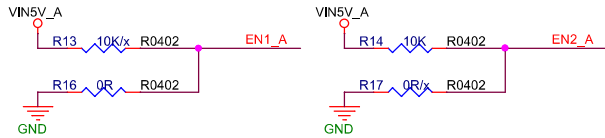
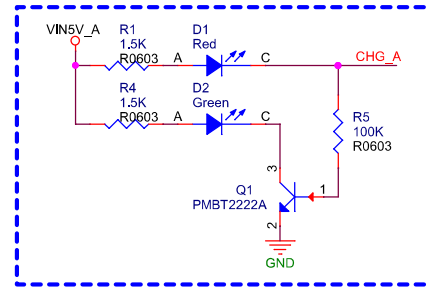


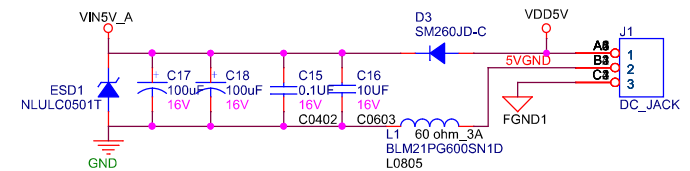
### LED Charger Status



R1SET = K1SET (890A ohm) / ICHG (BAT current)

### VIN Input Current Limit

EN2	EN1	Limit
L	L	100mA
L	H	500mA
H	L	Set by an external resistor from ILIM to VSS
H	H	Stadby



VDD5V → VDD5V

5VGN → 3V3

GND → GND