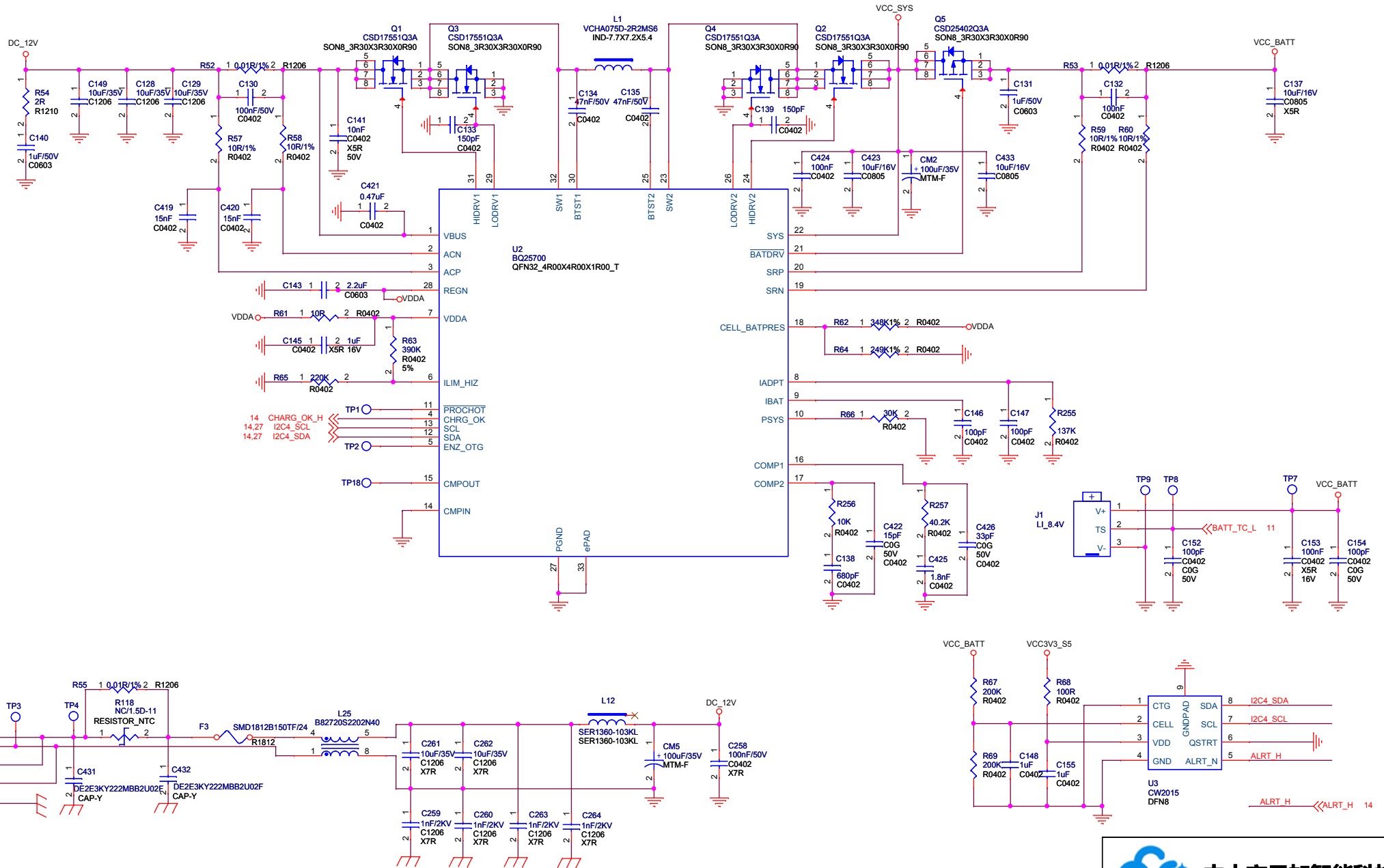


DC_IN/BATT/Charge



Title: DC_IN/BATT/Charge		REV: 10
File: CP203		
Create Date: Tuesday, June 21, 2016	Page Num: 15	
Modify Date: Monday, March 04, 2019	Page Total: 28	