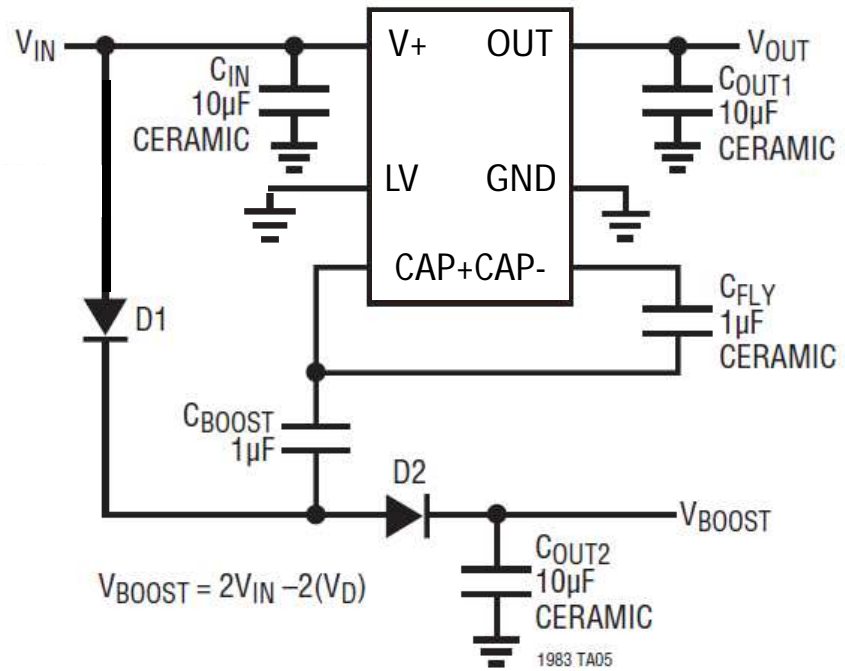
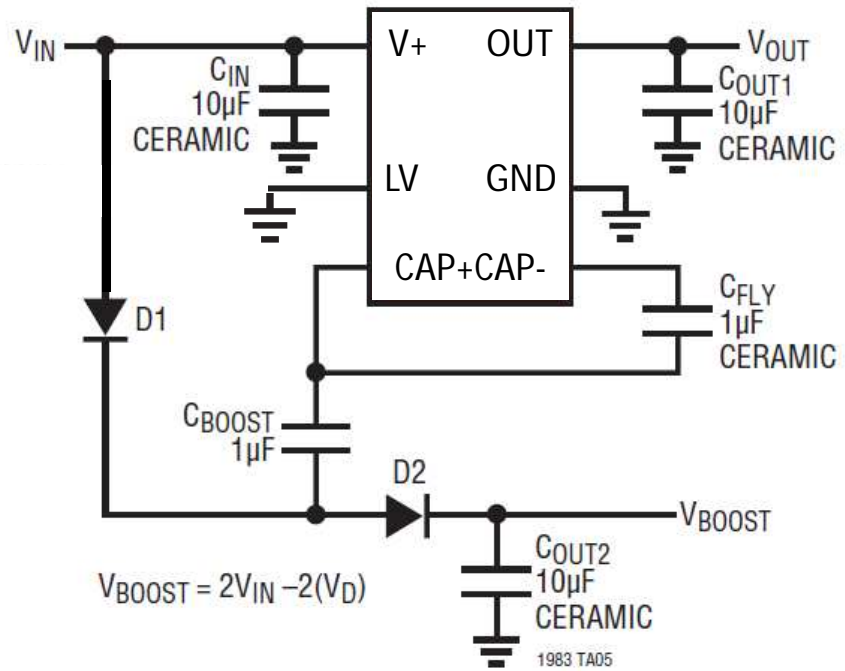
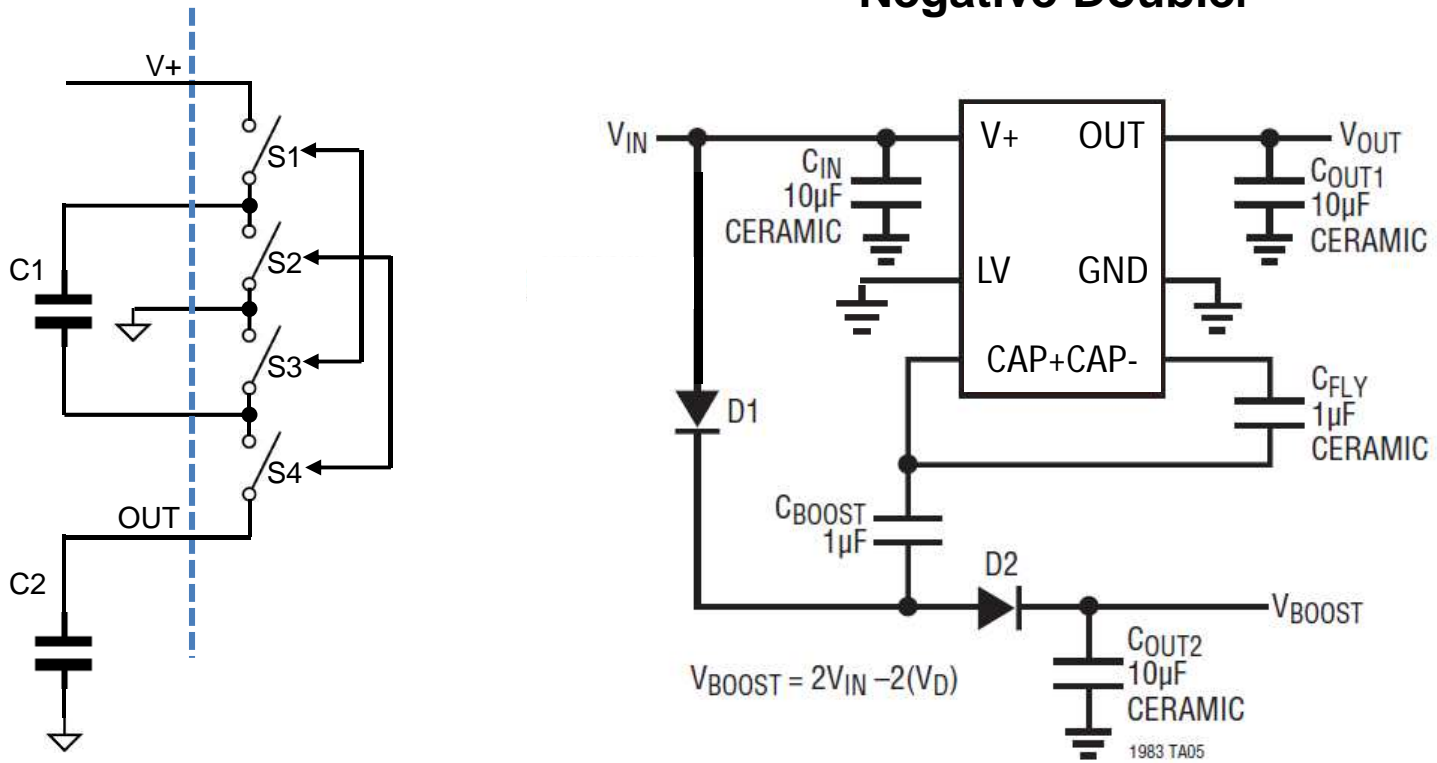


Figure 16. Voltage Inverting Principle

Negative Doubler



$$V_{BOOST} = 2V_{IN} - 2(V_D)$$