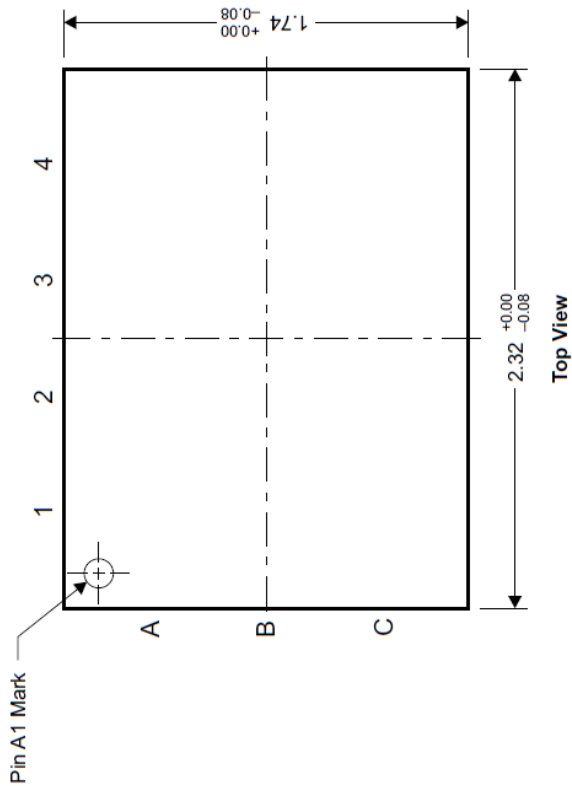
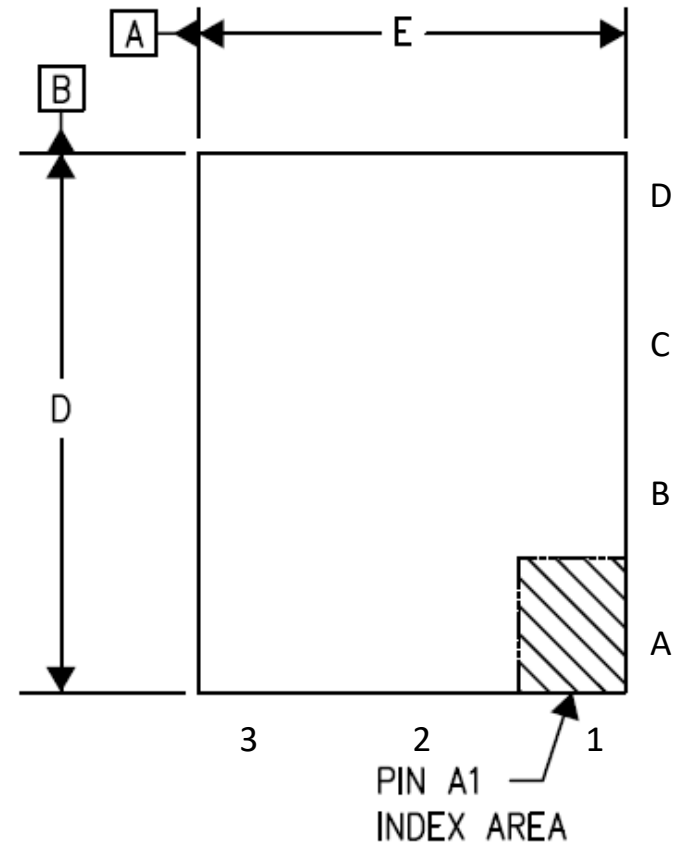


CSD86311W1723 Pinout

Datasheet (top view)

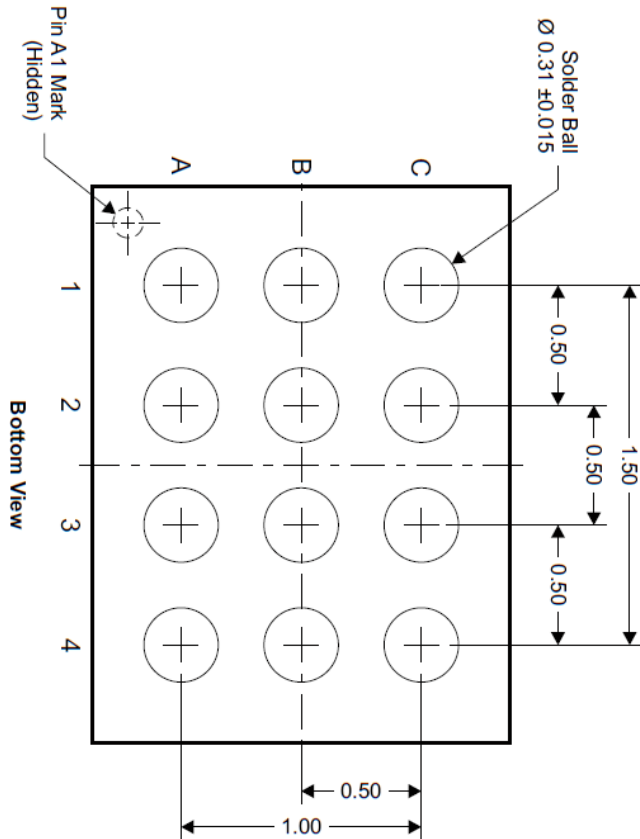


CAD Symbol/Package Drawing (top view)

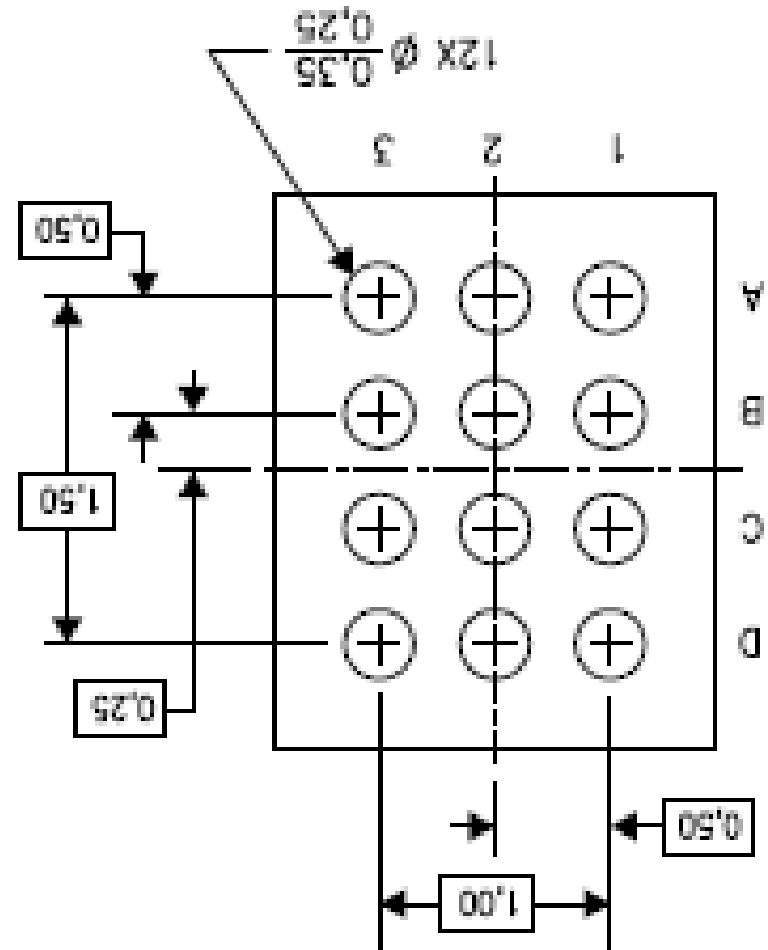


CSD86311W1723 Pinout

Datasheet (bottom view)



CAD Symbol/Package Drawing (bottom view)



Pin Mapping

Datasheet	CAD Symbol/PKG Drawing	Designation
A2, A3, A4	B3, C3, D3	Drain 1
C2, C3, C4	B1, C1, D1	Drain 2
A1	A3	Gate 1
C1	A1	Gate 2
B1, B2, B3, B4	A2, C2, B2, D2	Source