



## Customize LM5164DDAR - 20V-56V to 12.00V @ 1A

Input: DC 20 V - 56 V    Output: 12 V at 1 A    Temp: 40 °C    [Change](#)

[SELECT](#)**CUSTOMIZE**[SIMULATE](#)[EXPORT](#)

### Summary

Efficiency: 92.7%  
BOM Cost: \$2.65  
Footprint: 322 mm<sup>2</sup>

[CHANGE OPTIMIZATION](#)

### Configuration Options

User Preferred Frequency

Switching Frequency  
0.212 MHz  
(0.1 - 1)

UVLO voltage

Enable Under Voltage Lock Out  
6 V  
(6 - 20)

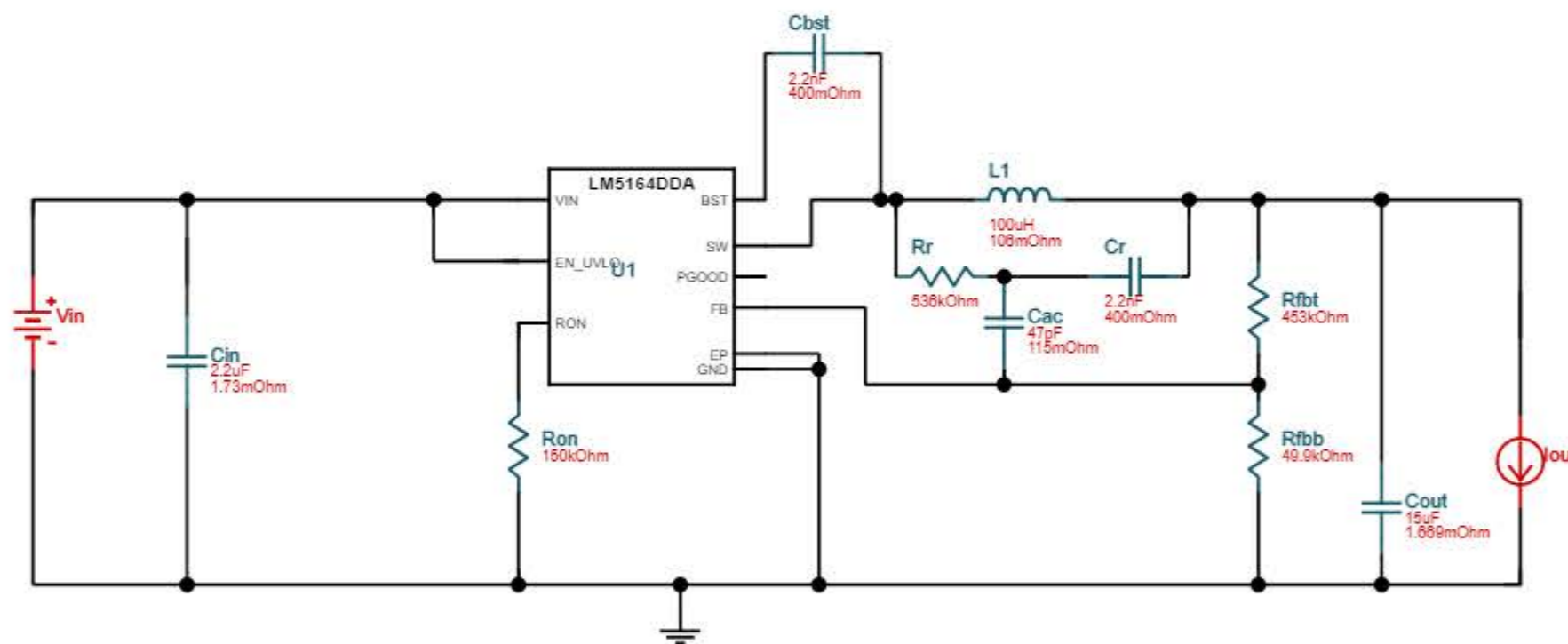
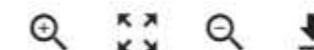
Output Ripple Option  
Lowest Ripple Solution

[REDESIGN](#)

### Design Suggestions

[Add Input EMI Filter](#)[SCHEMATIC](#)[BILL OF MATERIALS](#)

Click a component to find out more information or select an alternate part.

[OPERATING VALUES](#)[CHARTS](#)

Vin (V)  56 V  
(20 - 56)

Iout (A)  1 A  
(0 - 1)

[RECALCULATE](#)