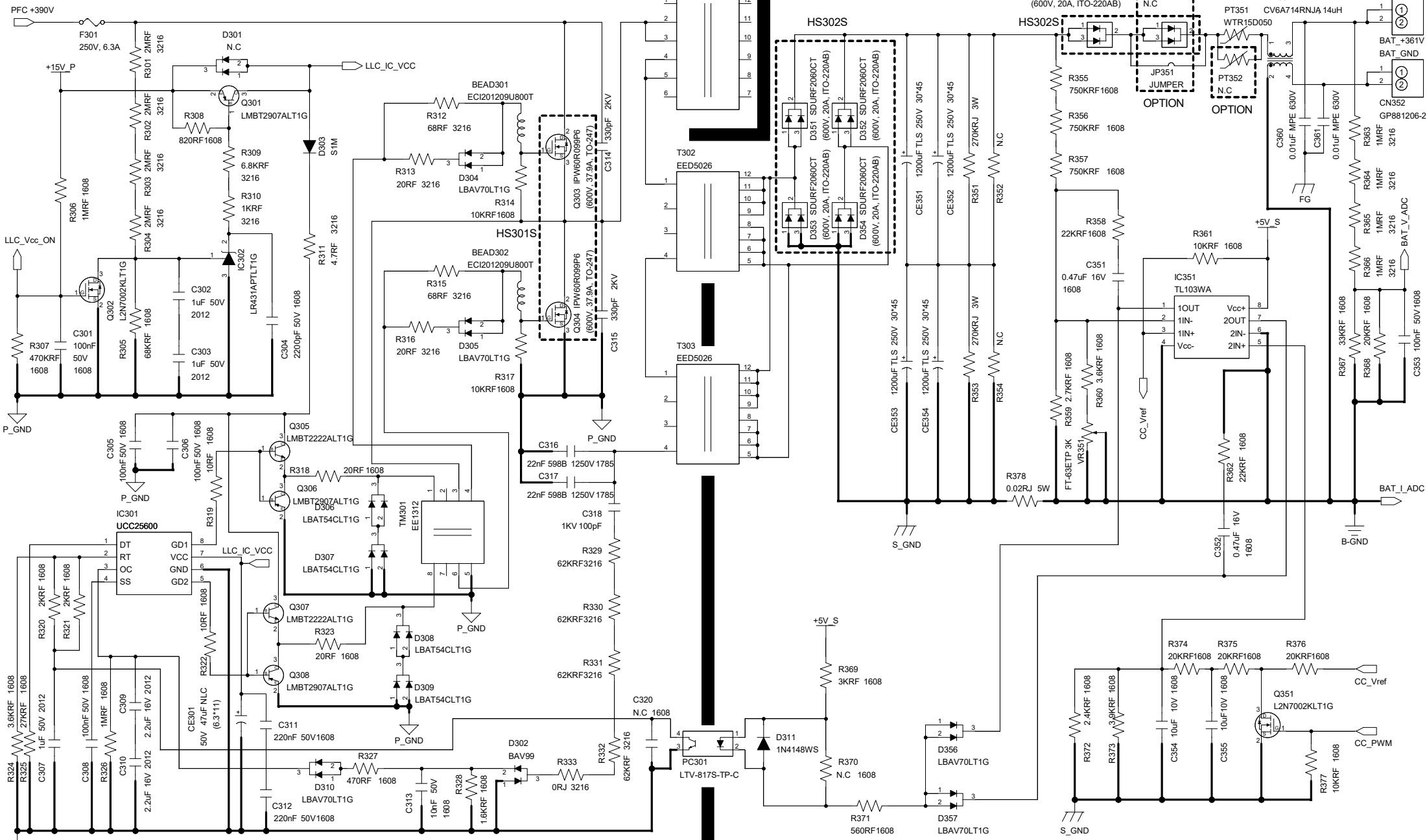
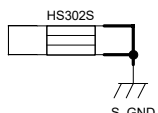
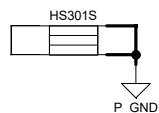


LLC_300



NOTE
 PL&회로도&실물&BOM
 4점 정합함을 보증함

Remark
 ** No marking resistor 1005 1% SMD
 ** No marking capacitor 1005 SMD
 ** NC : No Connection



Comply with the threshold of substances which are specified in 0QA_209

| | | |
|------------|--------------|--------------|
| USER | 04/07/2021 | |
| Charger | SCALE | DRAWN PARK |
| PDM NUMBER | REVISION 0.1 | CHECKED KIM |
| | CommonScore | APPROVED KIM |