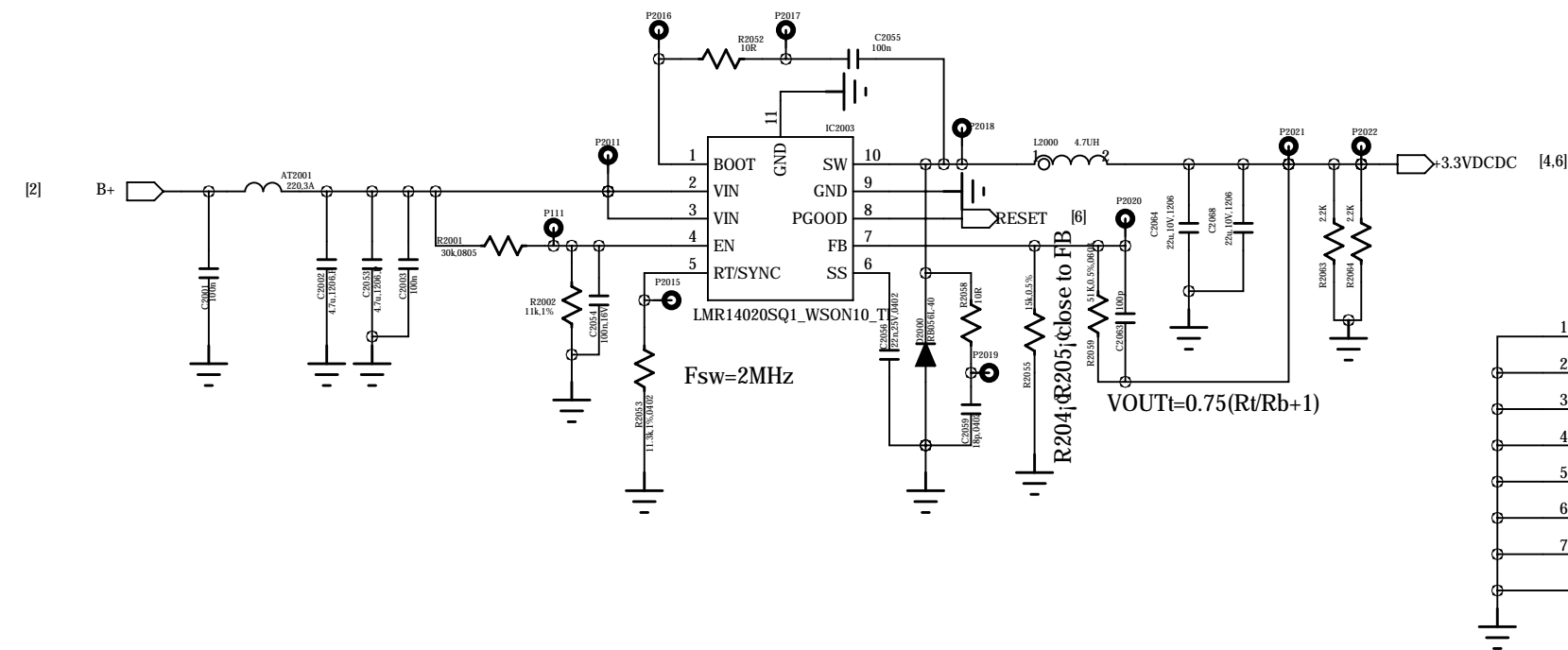


3.3V DCDC POWER



Drawn by	Xiong Zenghui	Chery T18FL3 DI FrontBoard	Part NO.	VSNUUF-3458-AAA
Checked	Li Ping		Version	A
Scale	Wang Renjie		Page 3	9 Pages
Approved	Wang Feng		YFVE-NJTC	