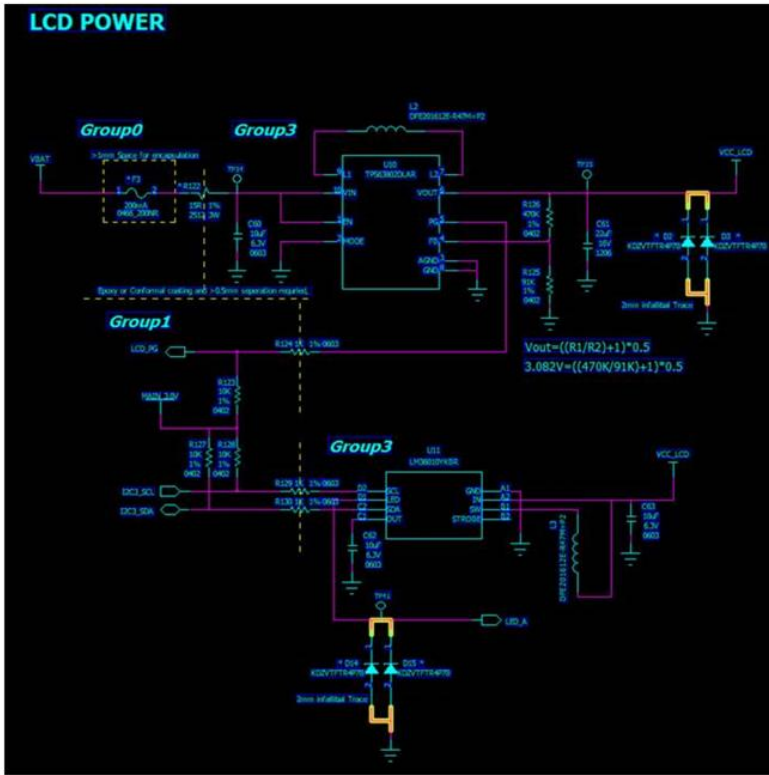


LCD POWER



5. Backlight Characteristic

5.1. Backlight Characteristics

Item	Symbol	Condition	Min.	Typ.	Max.	Unit
Forward Voltage	V_f	$T_a=25^\circ\text{C}$, $I_f=20\text{mA/LED}$	2.8	3.2	3.4	V
Forward Current	I_f	$T_a=25^\circ\text{C}$, $V_f=3.2\text{V/LED}$	-	120	-	mA
Power dissipation	P_o		-	384	-	mW
Uniformity	Avg		-	80	-	%
LED working life(25°C)	-		-	30000	-	Hrs
Drive method	Constant current					
LED Configuration	6 White LEDs in parallel					

Note1: LED life time defined as follows: The final brightness is at 50% of original brightness. The environmental conducted under ambient air flow, at $T_a=25 \pm 2^\circ\text{C}$, 60%RH \pm 5%, $I_f=20\text{mA/LED}$.

5.2. Backlighting circuit

