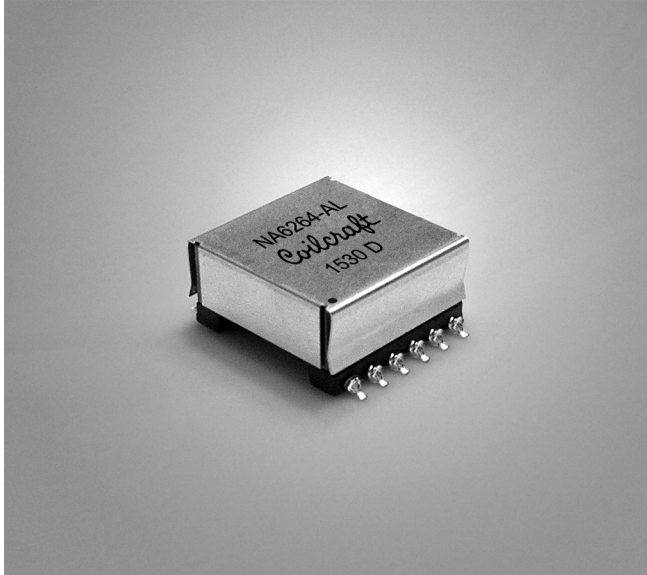


**NEW!**



# Flyback Transformer

For Texas Instruments  
PMP7899 Reference Design



- Developed for Texas Instruments PMP7899 Reference Design for Non-Synchronous Flyback Converter with an Isolated Output
- 8 – 18 V primary input
- Aux winding output 9 V 20 mA
- 1500 Vrms, one minute primary and aux to secondary isolation (hipot)

**Core material** Ferrite

**Terminations** RoHS tin-silver (96.5/3.5) over tin over nickel over phosphorus bronze. Other terminations available at additional cost.

**Weight** 25.9 g

**Ambient temperature** -40°C to +125°C

**Storage temperature** Component: -40°C to +125°C.  
Tray packaging: -40°C to +80°C

**Resistance to soldering heat** Max three 40 second reflows at +260°C, parts cooled to room temperature between cycles

**Moisture Sensitivity Level (MSL)** 1 (unlimited floor life at <30°C / 85% relative humidity)

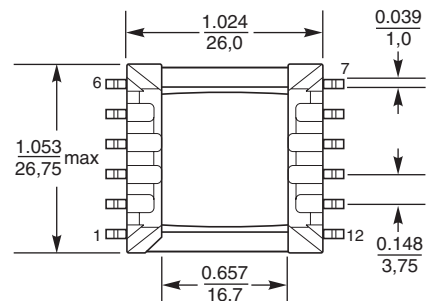
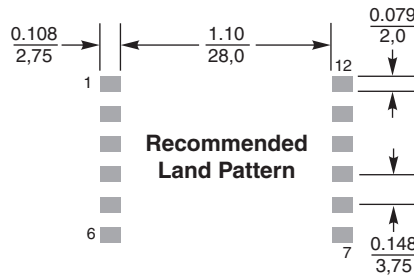
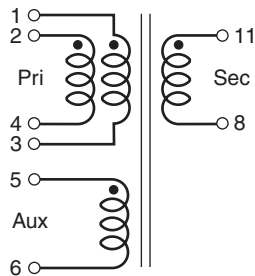
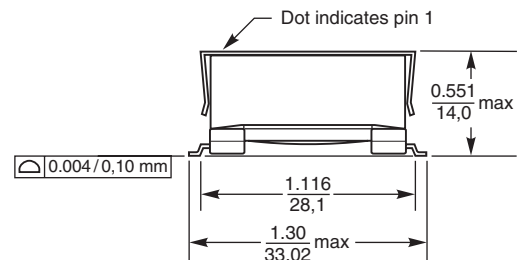
**Failures in Time (FIT) / Mean Time Between Failures (MTBF)**  
38 per billion hours / 26,315,789 hours, calculated per Telcordia SR-332

**Packaging** 24 parts per tray

**PCB washing** Tested to MIL-STD-202 Method 215 plus an additional aqueous wash. See [Doc787\\_PCB\\_Washing.pdf](#).

Part number	Inductance at 0 Adc <sup>1</sup> ±15% (µH)	Inductance at Ipk <sup>2</sup> min (µH)	DCR max (Ohms)	Leakage Inductance <sup>3</sup> max (µH)	Turns ratio		Ipk <sup>2</sup> (A)	Output <sup>4</sup>
					pri : sec	pri : aux		
NA6264-AL	2.56	2.176	0.0065 (pins 1-3) 0.0065 (pins 2-4) 0.130 (pins 5-6) 0.110 (pins 11-8)	0.060	1 : 6	1 : 1.5	16.5	48 V, 1 A

1. Inductance is for the primary with windings connected in parallel, measured at 300 kHz, 0.3 Vrms.
  2. Peak primary current drawn at minimum input voltage.
  3. Leakage inductance is for the primary with the windings connected in parallel and with the secondary winding shorted.
  4. Output is for the secondary. Aux winding output is 9 V, 20 mA.
  5. Electrical specifications at 25°C.
- Refer to Doc 362 "Soldering Surface Mount Components" before soldering.



Dimensions are in  $\frac{\text{inches}}{\text{mm}}$



**US** +1-847-639-6400 sales@coilcraft.com  
**UK** +44-1236-730595 sales@coilcraft-europe.com  
**Taiwan** +886-2-2264 3646 sales@coilcraft.com.tw  
**China** +86-21-6218 8074 sales@coilcraft.com.cn  
**Singapore** + 65-6484 8412 sales@coilcraft.com.sg

Document 1295 Revised 08/07/15  
 © Coilcraft Inc. 2015  
 This product may not be used in medical or high risk applications without prior Coilcraft approval. Specification subject to change without notice. Please check web site for latest information.