

Revision History	
Revision	Notes

Place Block Diagram here (if appropriate) or delete this string

PCB Part Number: 551013567-001 REV A



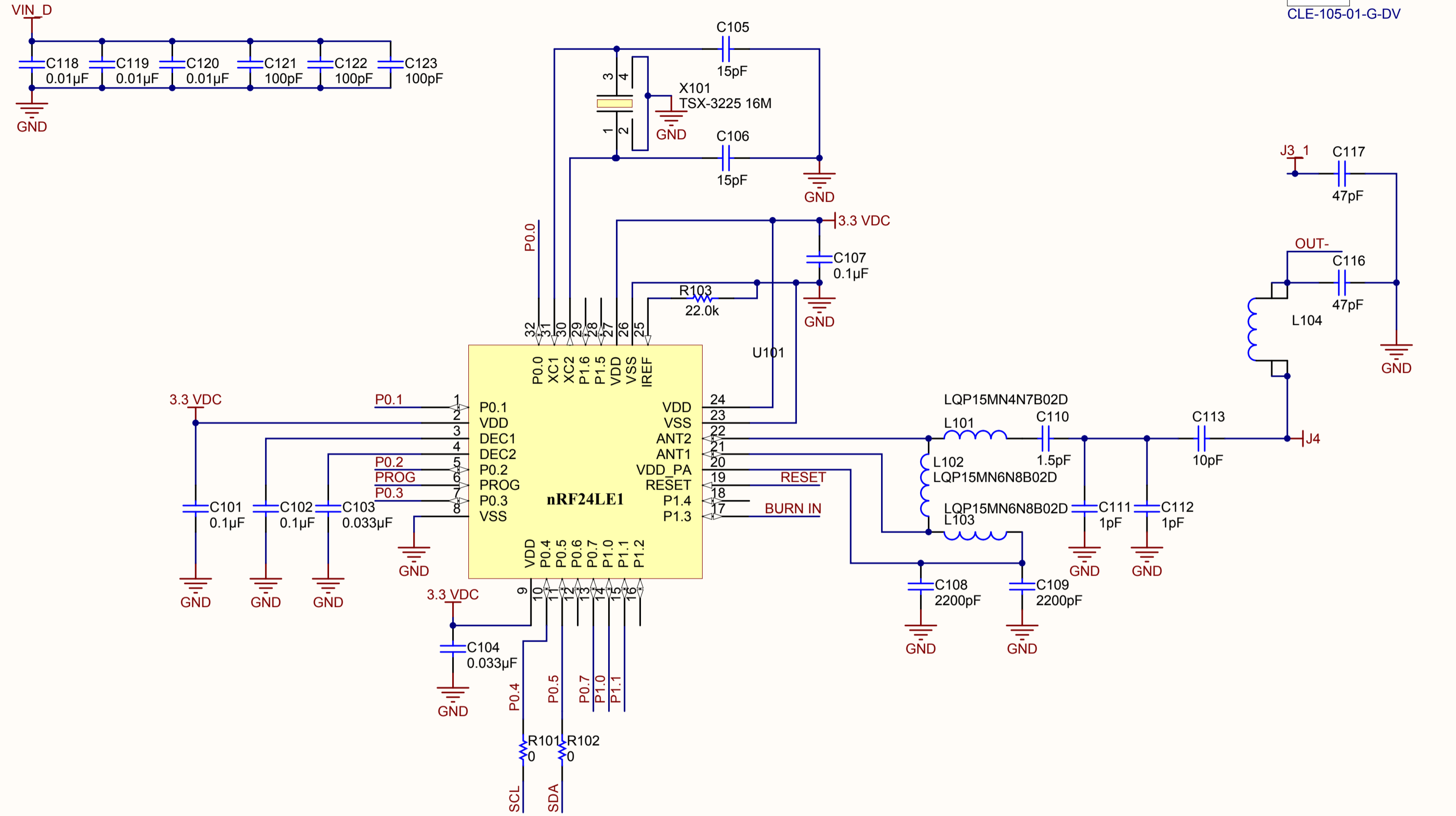
National Semiconductor and/or its licensors do not warrant the accuracy or completeness of this specification or any information contained therein. National and/or its licensors do not warrant that this design will meet the specifications, will be suitable for your application or fit for any particular purpose, or will operate in an implementation. National and/or its licensors do not warrant that the design is production worthy. You should completely validate and test your design implementation to confirm the system functionality for your application.

Designed for: National Semiconductor	Mod. Date: 1/27/2011
Project: SM3320-RF-EV	
Sheet Title: Cover Sheet	Sheet: 1 of 3
Size: B	Schematic: 870013567 Rev: X1
Assembly Variant: -100A	
File: Cover SM3320-RF-EV.SchDoc	
Contact: http://www.national.com/support	



<http://www.national.com>

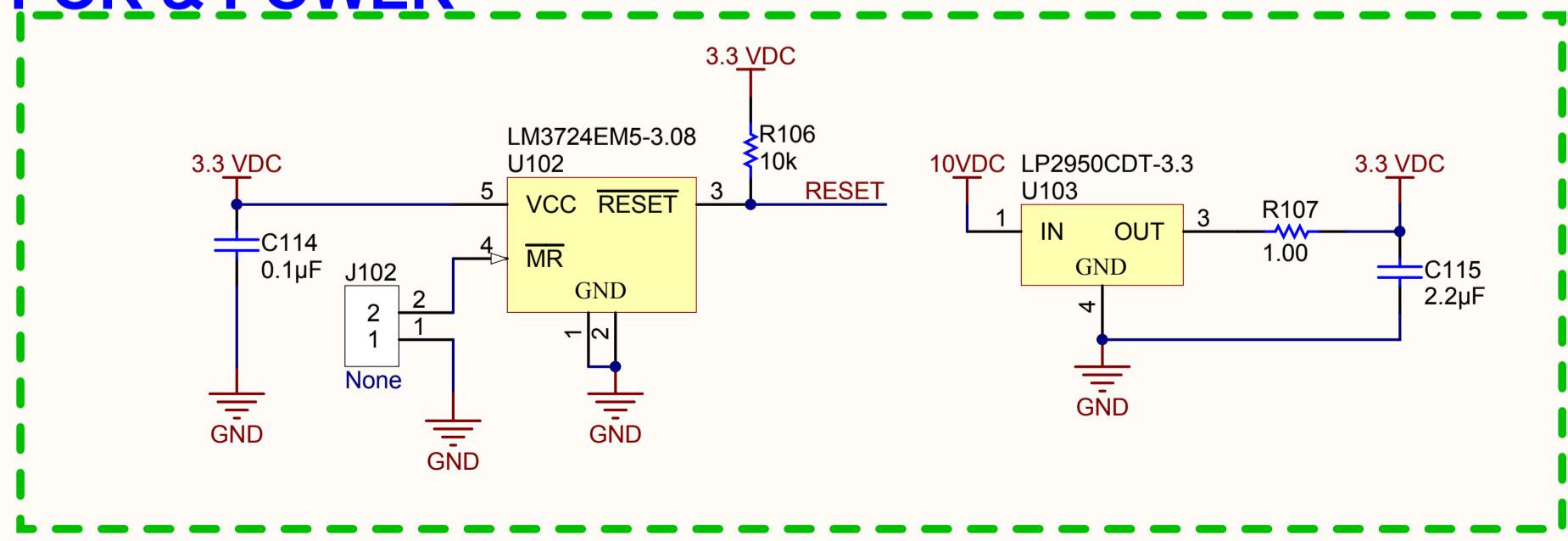
© Copyright, National Semiconductor, 2010



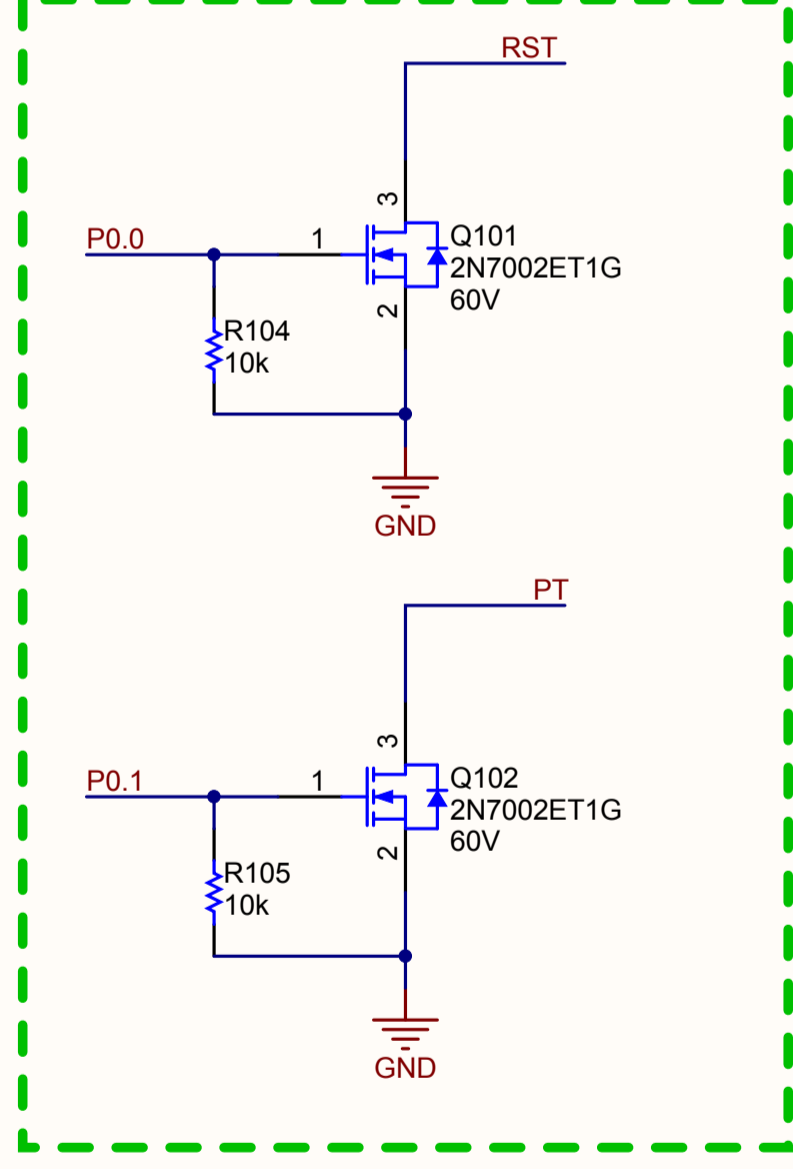
P1.1		P1.0		P0.7		P0.5		P0.4	
9	10	9	10	7	8	5	6	3	4
7	8	7	8	5	6	3	4	1	2
5	6	5	6	3	4	1	2	1	2
3	4	3	4	1	2	1	2	1	2
1	2	1	2	1	2	1	2	1	2

CLE-105-01-G-DV

POR & POWER



INTO SIRIUS2



National Semiconductor and/or its licensors do not warrant the accuracy or completeness of this specification or any information contained therein. National and/or its licensors do not warrant that this design will meet the specifications, will be suitable for your application or fit for any particular purpose, or will operate in an implementation. National and/or its licensors do not warrant that the design is production worthy. You should completely validate and test your design implementation to confirm the system functionality for your application.

Designed for: National Semiconductor	Mod. Date: 1/28/2011
Project: SM3320-RF-EV	
Sheet Title: SM3320-RF-EV_Micro	Sheet: 3 of 3
Size: B	Schematic: 870013567
Assembly Variant: -100A	Rev: X1
File: SM3320-RF-EV_Micro.SchDoc	
Contact: http://www.national.com/support	

