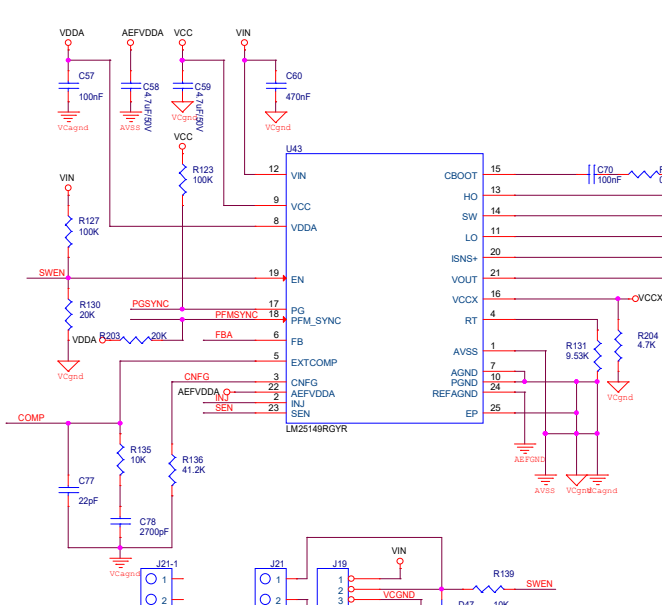
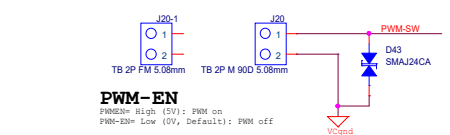


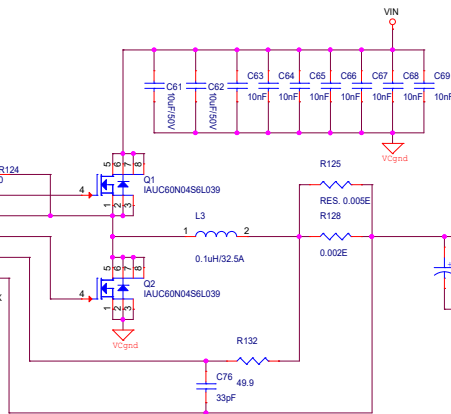
Note:
 R211.1: Error connect to VIN, it must to change to +28V1
 R206.1: Error connect to VIN, it must to change to +28V1
 R208.1: Error connect to VIN, it must to change to +28V1
 Q10: Change to Reserve.
 R207: Change to Reserve.
 R212: Change to using.



Cooler-SWEN
 Cooler-SWEN= High (SV): Power on
 Cooler-SWEN= Low (OV, Default): Power off



PWM-EN
 PWM= High (SV): PWM on
 PWM= Low (OV, Default): PWM off



Cooler-Enable
 Cooler-En= Hi (SV): Enable Power Input
 Cooler-En= Low (Default): Disable Power Input

Cooler-EOS
 Cooler-EOS= Open: Disable Cooler power
 Cooler-EOS= Low (ON, Short to GND): Enable Cooler Power

Cooler-EOS
 Cooler-EOS= High (SV): Enable Cooler power
 Cooler-EOS= Low (ON, Short to GND): Enable Cooler Power

Cooler-EOS
 Cooler-EOS= Open: Disable Cooler power
 Cooler-EOS= Low (ON, Short to GND): Enable Cooler Power

Cooler-EOS
 Cooler-EOS= Open: Disable Cooler power
 Cooler-EOS= Low (ON, Short to GND): Enable Cooler Power

Cooler-EOS
 Cooler-EOS= Open: Disable Cooler power
 Cooler-EOS= Low (ON, Short to GND): Enable Cooler Power

Cooler-EOS
 Cooler-EOS= Open: Disable Cooler power
 Cooler-EOS= Low (ON, Short to GND): Enable Cooler Power

Cooler-EOS
 Cooler-EOS= Open: Disable Cooler power
 Cooler-EOS= Low (ON, Short to GND): Enable Cooler Power

Cooler-EOS
 Cooler-EOS= Open: Disable Cooler power
 Cooler-EOS= Low (ON, Short to GND): Enable Cooler Power

Cooler-EOS
 Cooler-EOS= Open: Disable Cooler power
 Cooler-EOS= Low (ON, Short to GND): Enable Cooler Power

Cooler-EOS
 Cooler-EOS= Open: Disable Cooler power
 Cooler-EOS= Low (ON, Short to GND): Enable Cooler Power

Cooler-EOS
 Cooler-EOS= Open: Disable Cooler power
 Cooler-EOS= Low (ON, Short to GND): Enable Cooler Power

Cooler-EOS
 Cooler-EOS= Open: Disable Cooler power
 Cooler-EOS= Low (ON, Short to GND): Enable Cooler Power

Cooler-EOS
 Cooler-EOS= Open: Disable Cooler power
 Cooler-EOS= Low (ON, Short to GND): Enable Cooler Power

Cooler-EOS
 Cooler-EOS= Open: Disable Cooler power
 Cooler-EOS= Low (ON, Short to GND): Enable Cooler Power

Cooler-EOS
 Cooler-EOS= Open: Disable Cooler power
 Cooler-EOS= Low (ON, Short to GND): Enable Cooler Power

Cooler-EOS
 Cooler-EOS= Open: Disable Cooler power
 Cooler-EOS= Low (ON, Short to GND): Enable Cooler Power

Cooler-EOS
 Cooler-EOS= Open: Disable Cooler power
 Cooler-EOS= Low (ON, Short to GND): Enable Cooler Power

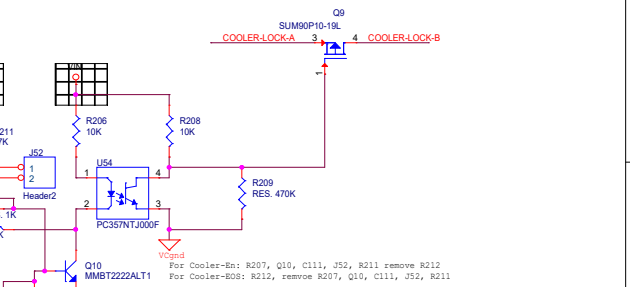
Cooler-EOS
 Cooler-EOS= Open: Disable Cooler power
 Cooler-EOS= Low (ON, Short to GND): Enable Cooler Power

Cooler-EOS
 Cooler-EOS= Open: Disable Cooler power
 Cooler-EOS= Low (ON, Short to GND): Enable Cooler Power

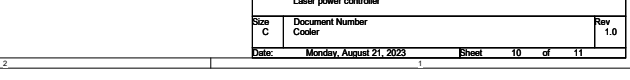
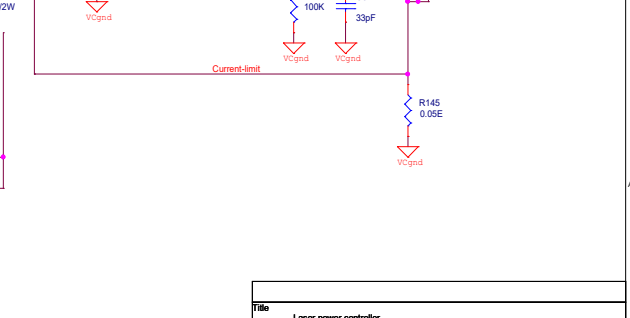
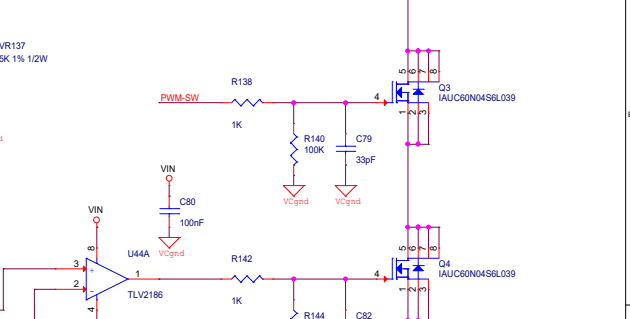
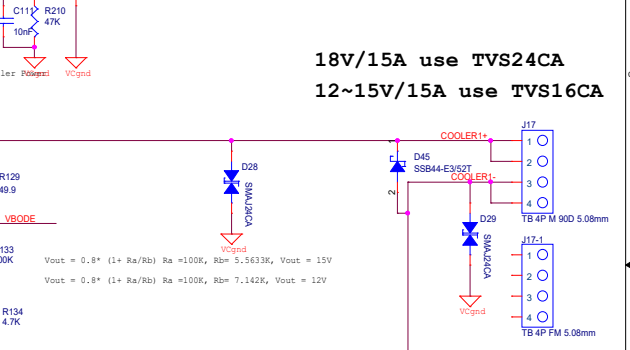
Cooler-EOS
 Cooler-EOS= Open: Disable Cooler power
 Cooler-EOS= Low (ON, Short to GND): Enable Cooler Power

Cooler-EOS
 Cooler-EOS= Open: Disable Cooler power
 Cooler-EOS= Low (ON, Short to GND): Enable Cooler Power

Cooler-EOS
 Cooler-EOS= Open: Disable Cooler power
 Cooler-EOS= Low (ON, Short to GND): Enable Cooler Power



18V/15A use TVS24CA
12~15V/15A use TVS16CA



Title			18V/15A use TVS24CA
Laser power controller			
Size	Document Number	Cooler	
C			
Date:	Monday, August 21, 2023	Sheet	10 of 11
Rev	1.0		