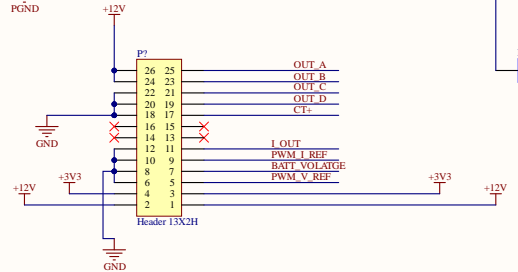
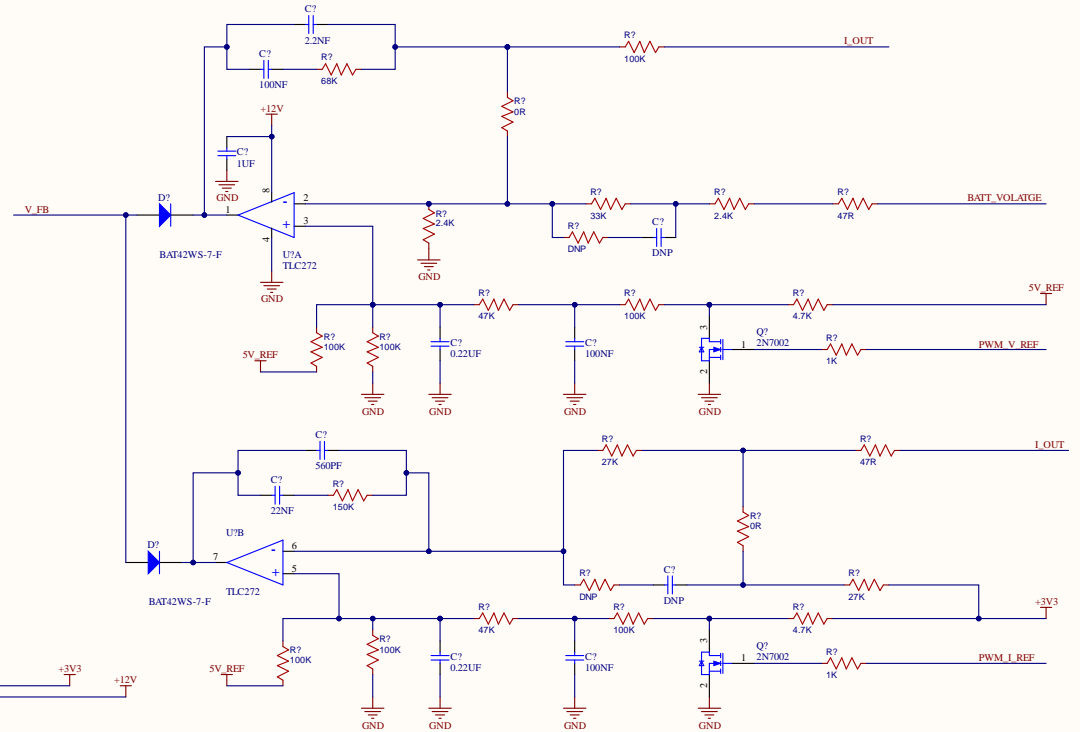
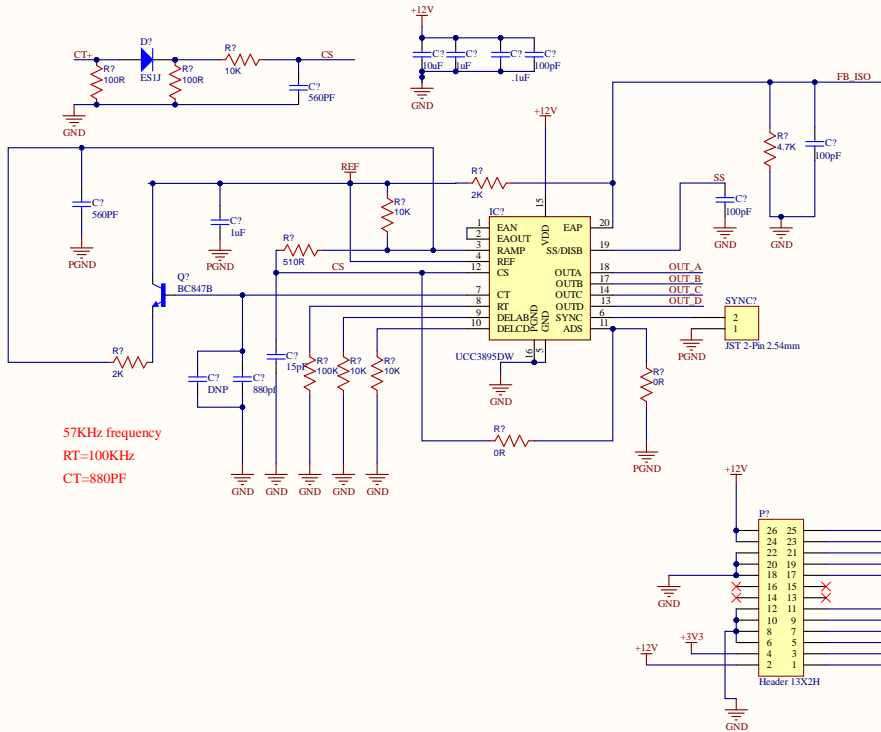


Title			
Size	Number	Revision	
C			
Date:	10-20-2022	Sheet of	
File:	E:\pads\proj\proj_1\DC\TO DCC\CONV\B\PCB\B.doc	1	



Title		
Size	Number	Revision
C		
Date:	10-20-2022	Sheet of
File:	Ipradep projects_PSFB.SchDoc	
		Drawn By: