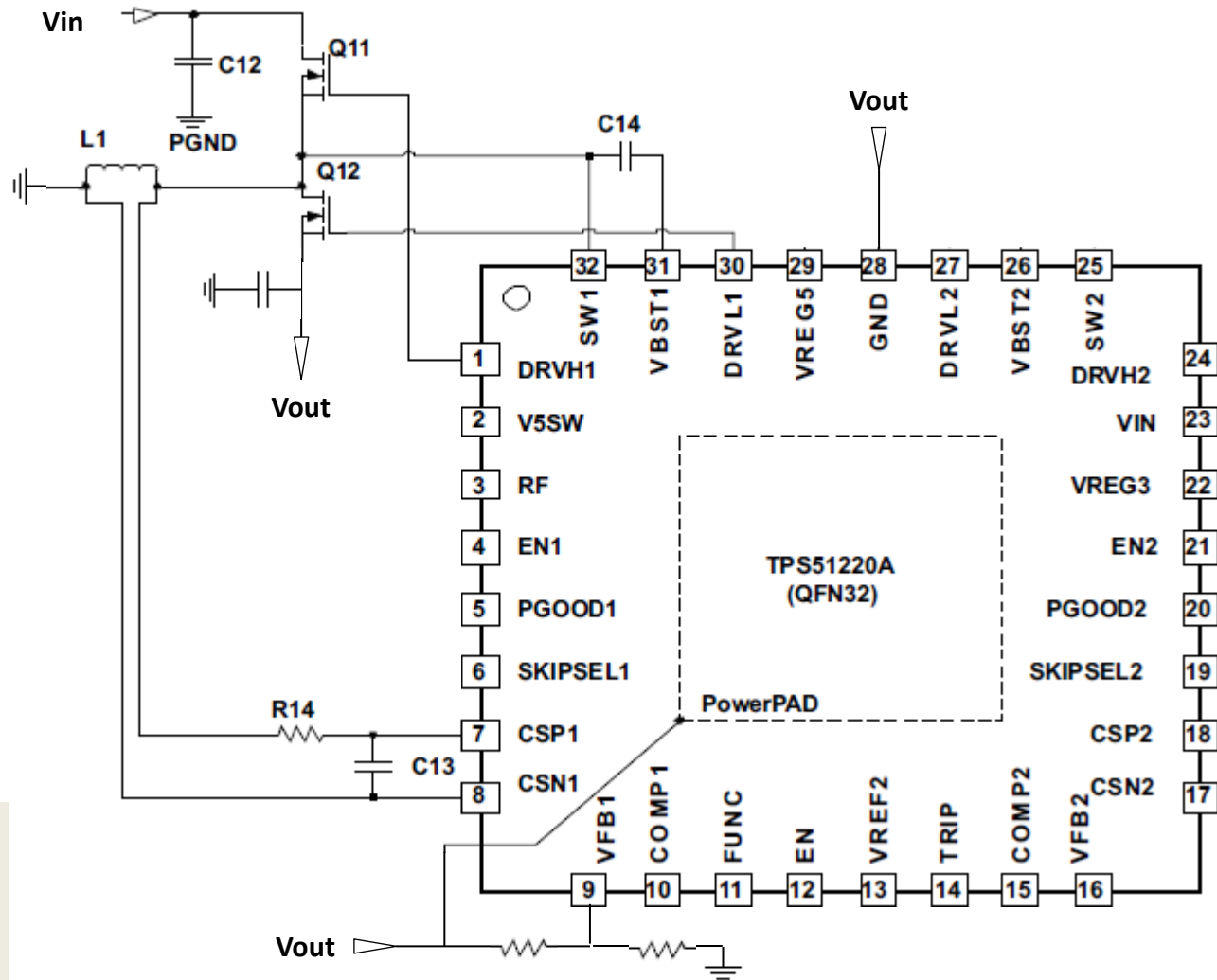


# DC/DC conv. - Inverter



Target spec  
 $V_{in}=16V$   
 $V_{out}=-7.5V$