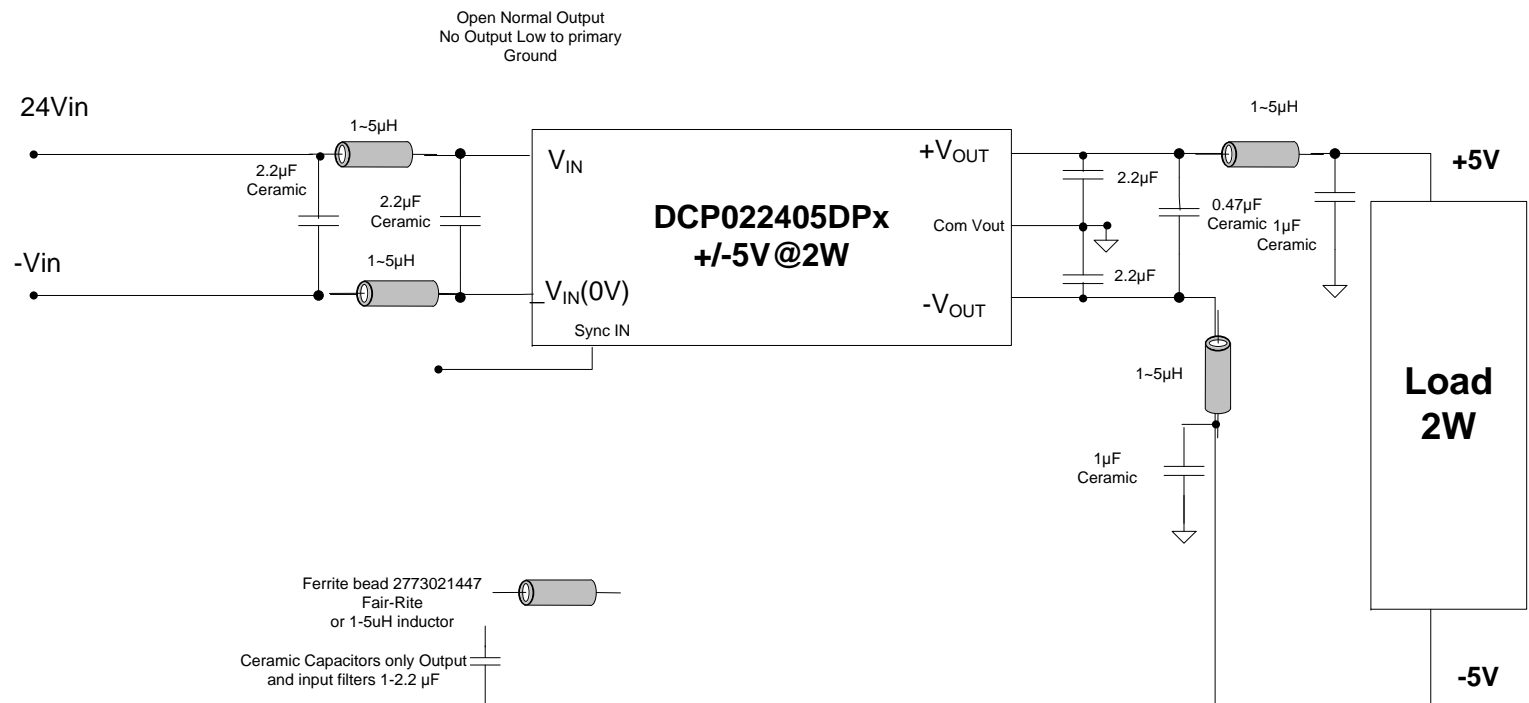


DCP022405DPx Low Noise Power Source 2W



Note:
Input Inductor recommended for attenuation input noise
Output inductors and ceramic capacitors suggested for Analog
low noise filter