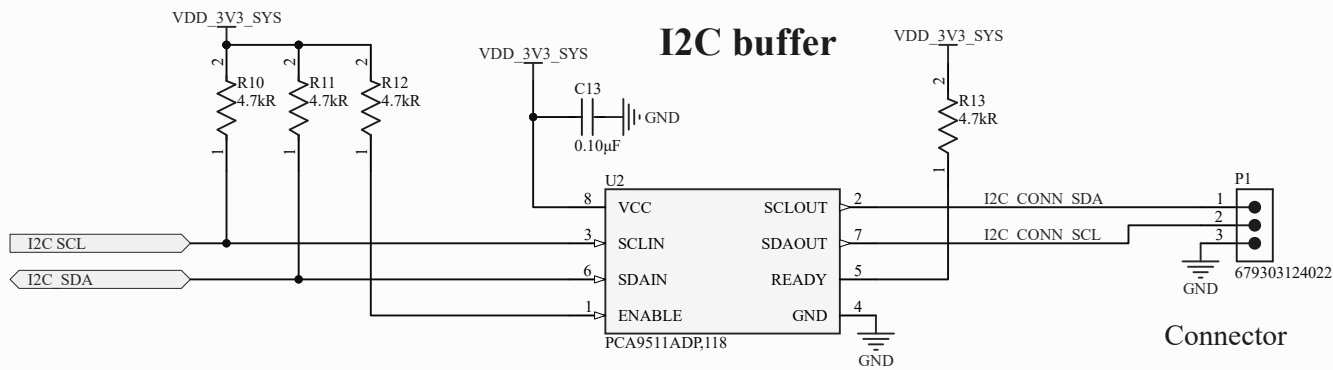
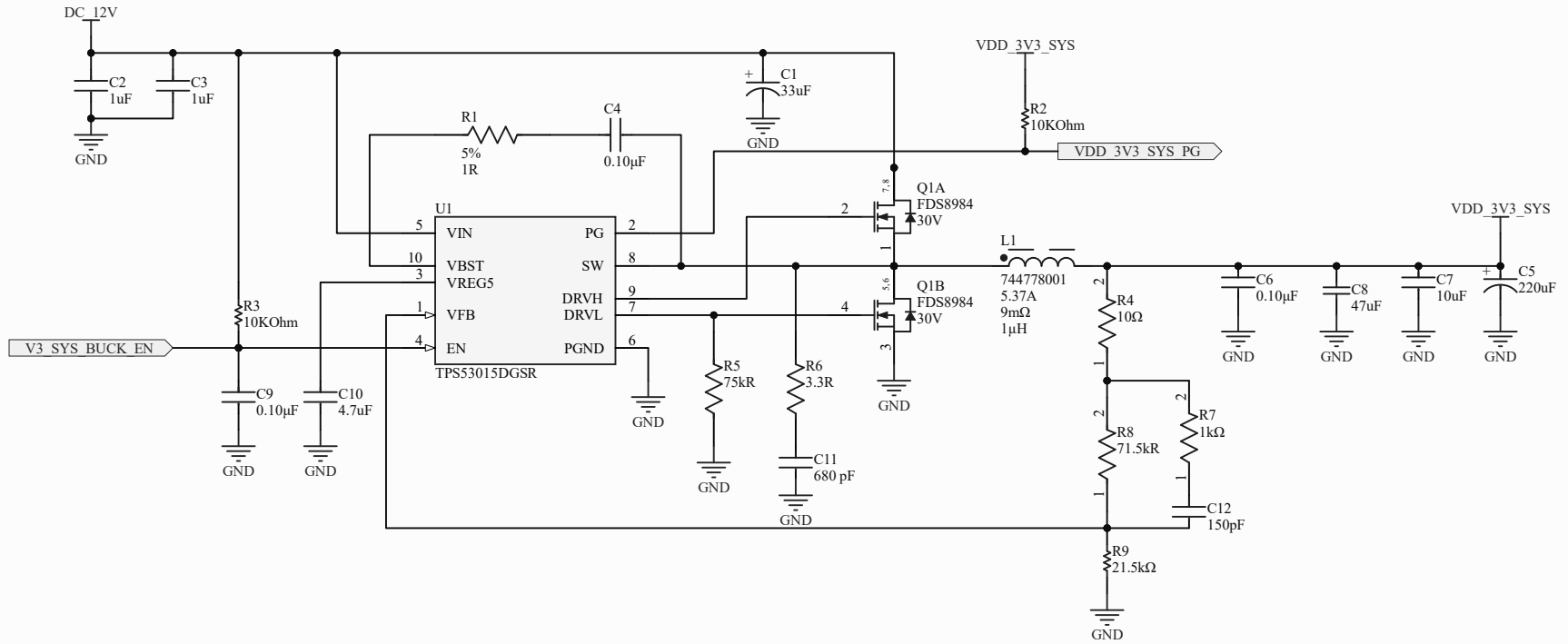


DC/DC 3.3V



Title		
Size	Number	Revision
Letter		
Date:	8/09/2023	Sheet of
File:	C:\Users\...DC_3P3V_TPS53015.SchDoc	Drawn By: