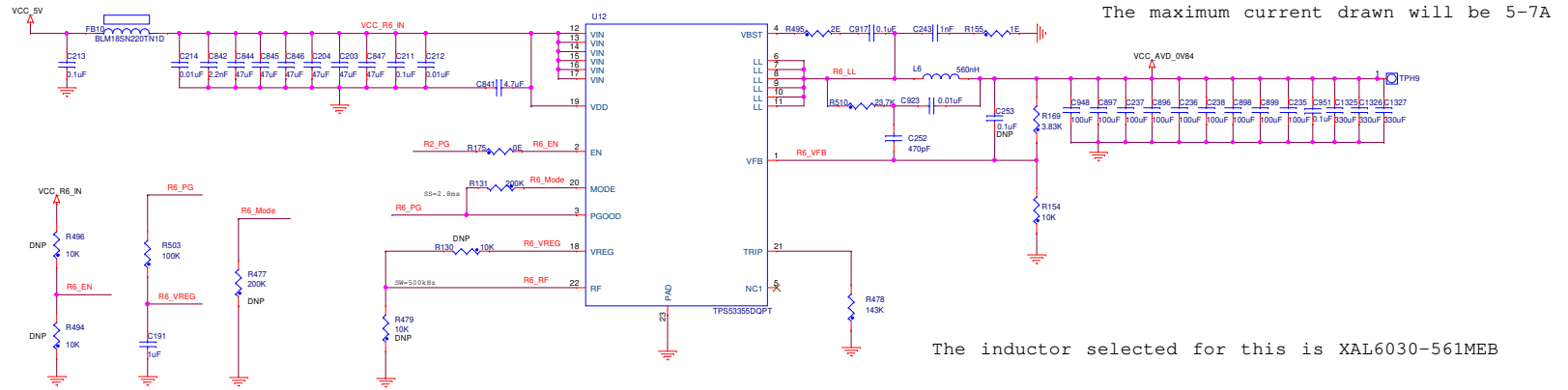


5V to 0.84V 30A Regulator for Switch Analog Voltages



The maximum current drawn will be 5-7A

The inductor selected for this is XAL6030-561MEB

File	<Title>	Rev	<Rev Code>
Size	Document Number		
C	<Doc>		
Date:	Friday, January 30, 2020	Sheet	1 of 1