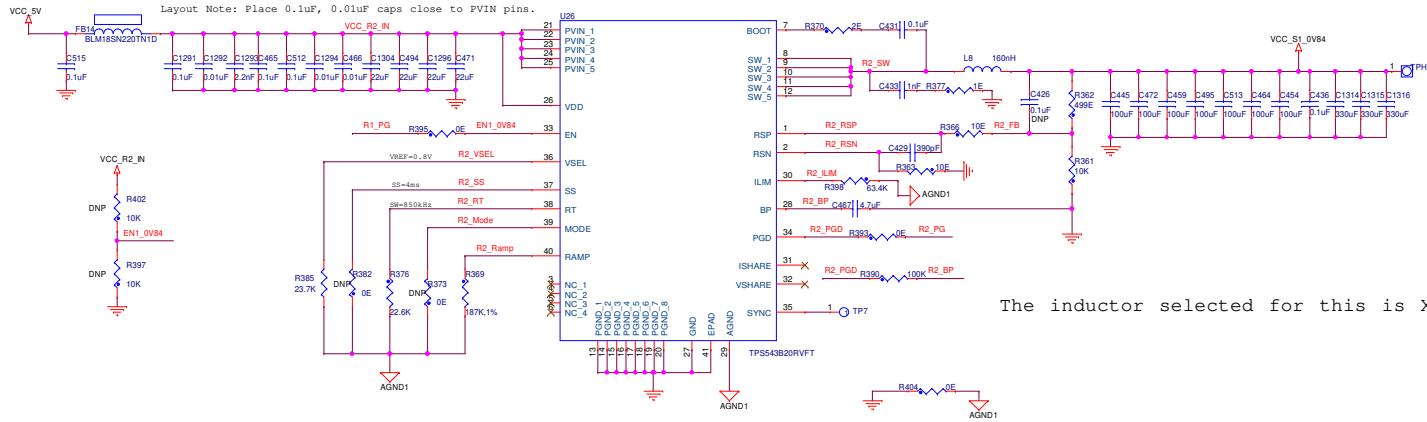


5V to 0.84V 25A Regulator for Switch 1 Core

The maximum current drawn will be 20A



|       |                          |       |            |
|-------|--------------------------|-------|------------|
| File  | <Title>                  | Rev   | <Rev Code> |
| Size  | Document Number          |       |            |
| C     | <Doc>                    |       |            |
| Date: | Friday, January 30, 2020 | Sheet | 1 of 1     |