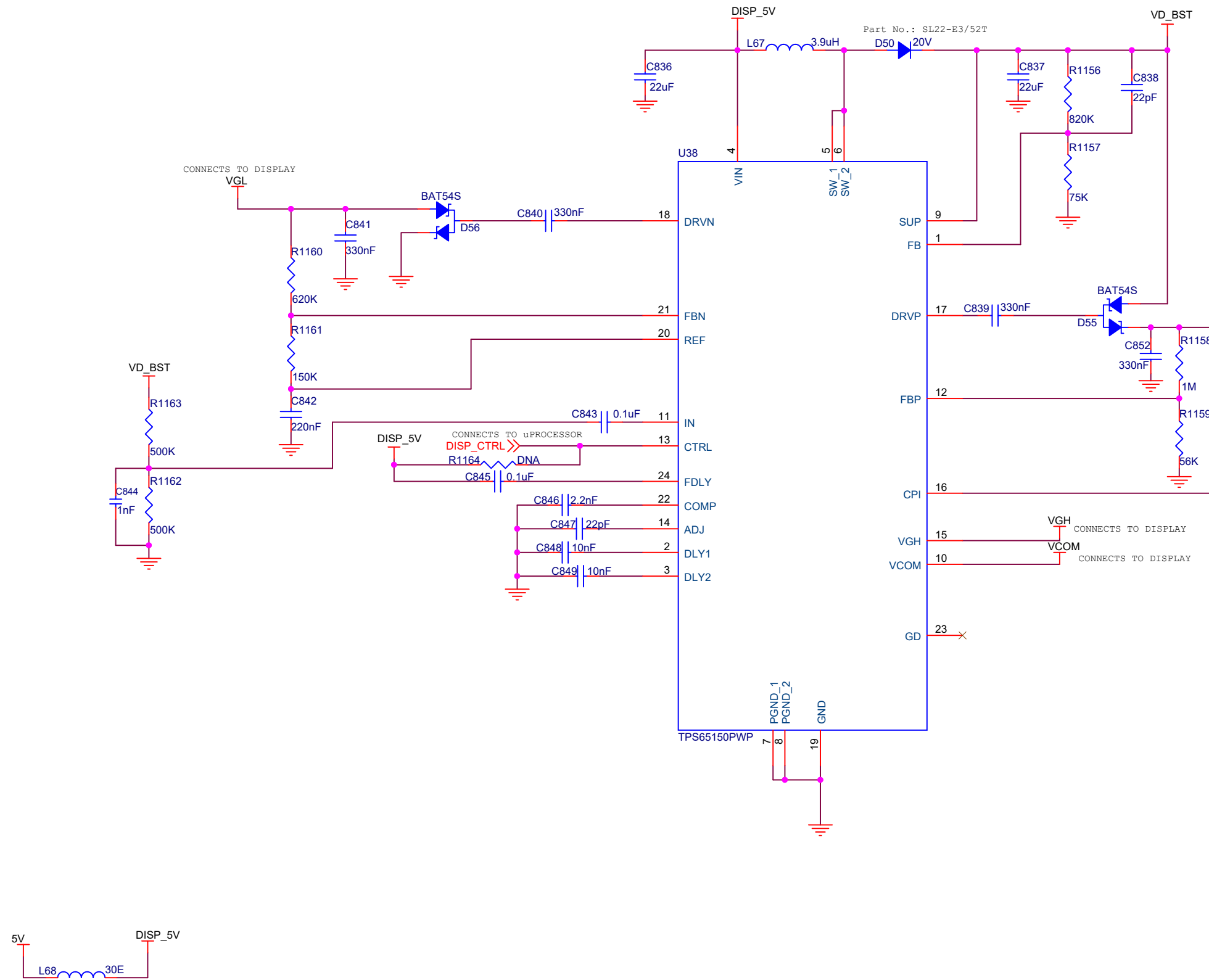


# LCD BIAS



Title		
<Title>		
Size	Document Number	Rev
A3	<Doc>	<RevC>
Date:	Thursday, January 08, 2026	Sheet 1 of 1