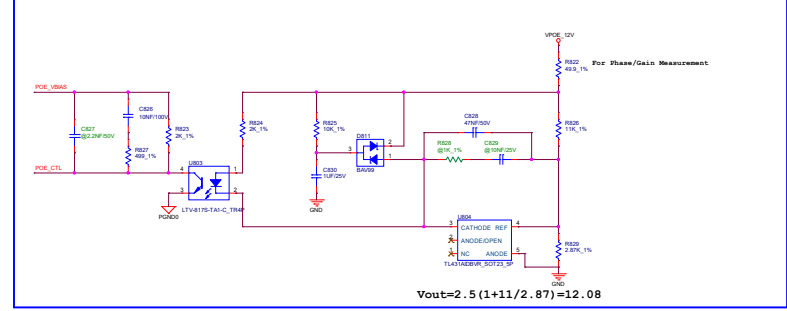


**Feedback circuit**



**EVT1 reserve EMI conduction solution**

