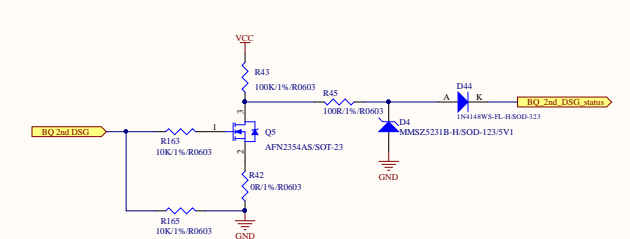
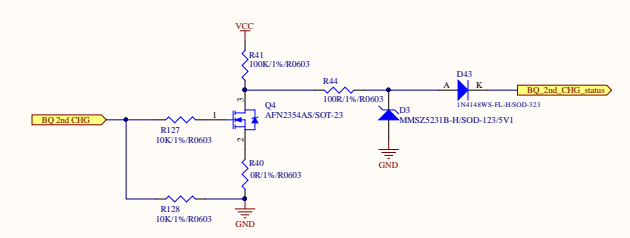
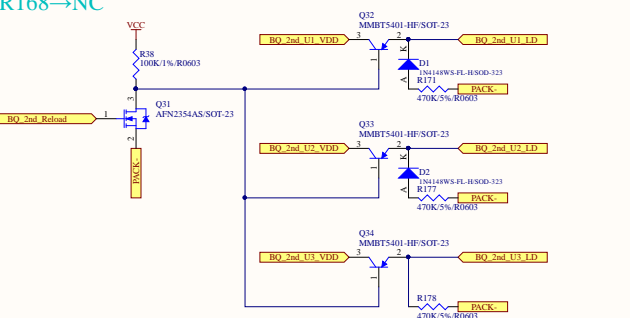


13S	R5,R12→NC R2,R24,R25,R168→0R
15S	R5,R12→33R R2,R24,R25,R168→NC



Title		
Size	Number	Revision
A2		V1
Date:	2023/7/31	Sheet
File:	C:\MYP\DTFD1_2nd Protected_V02 Sch	4 of