

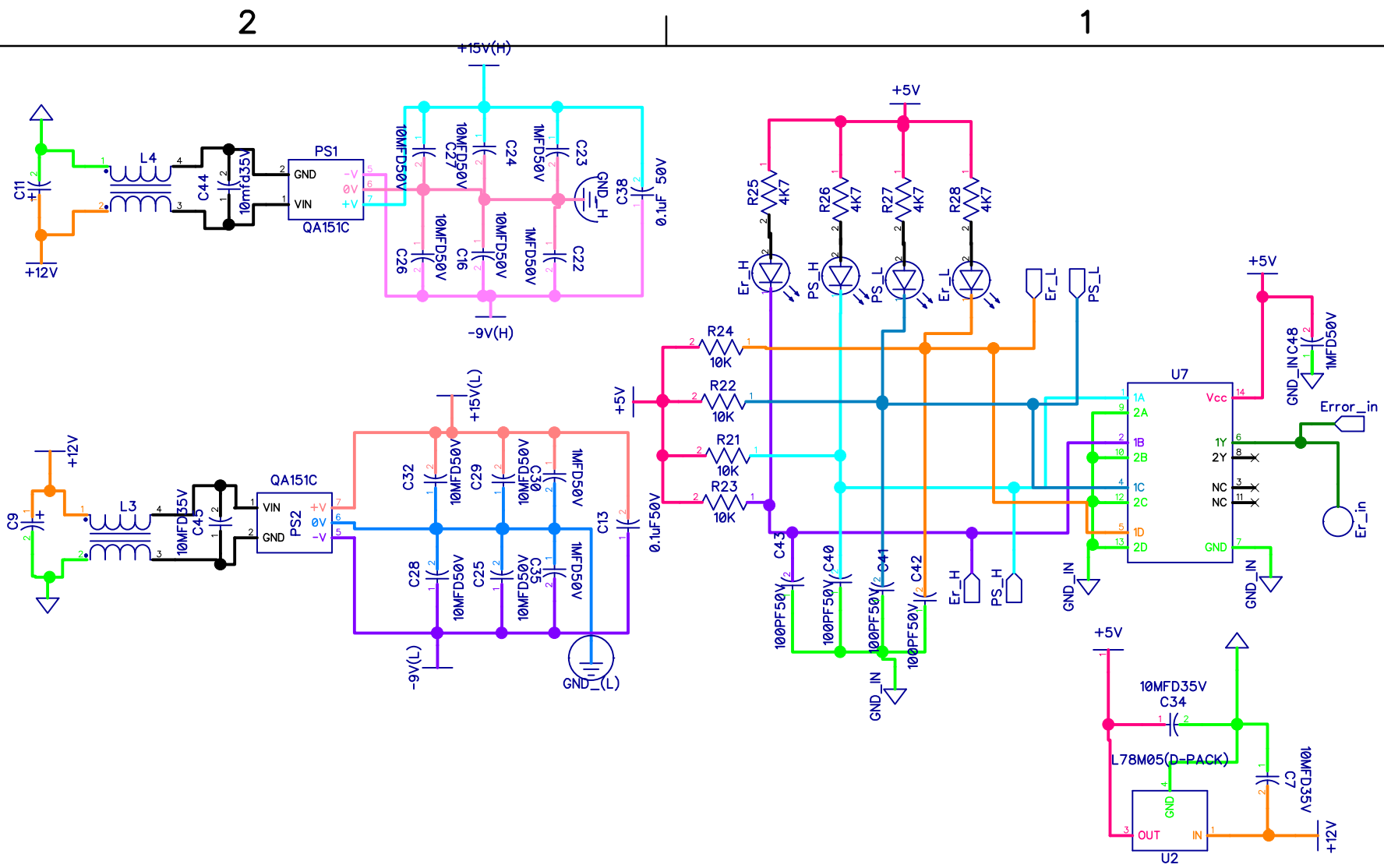
Title : DUAL SIC-RS485 DRIVER-(15A)		
Size 65x85MM	COMPANY: VP ELECTRONICS VP CODE : VP001560	Rev R002
Date : 3 AUG 23	Drawn by : UPG	
Filename : SIC DRIVER -RS485	Sheet: 2 OFF 3	

B

A

B

A



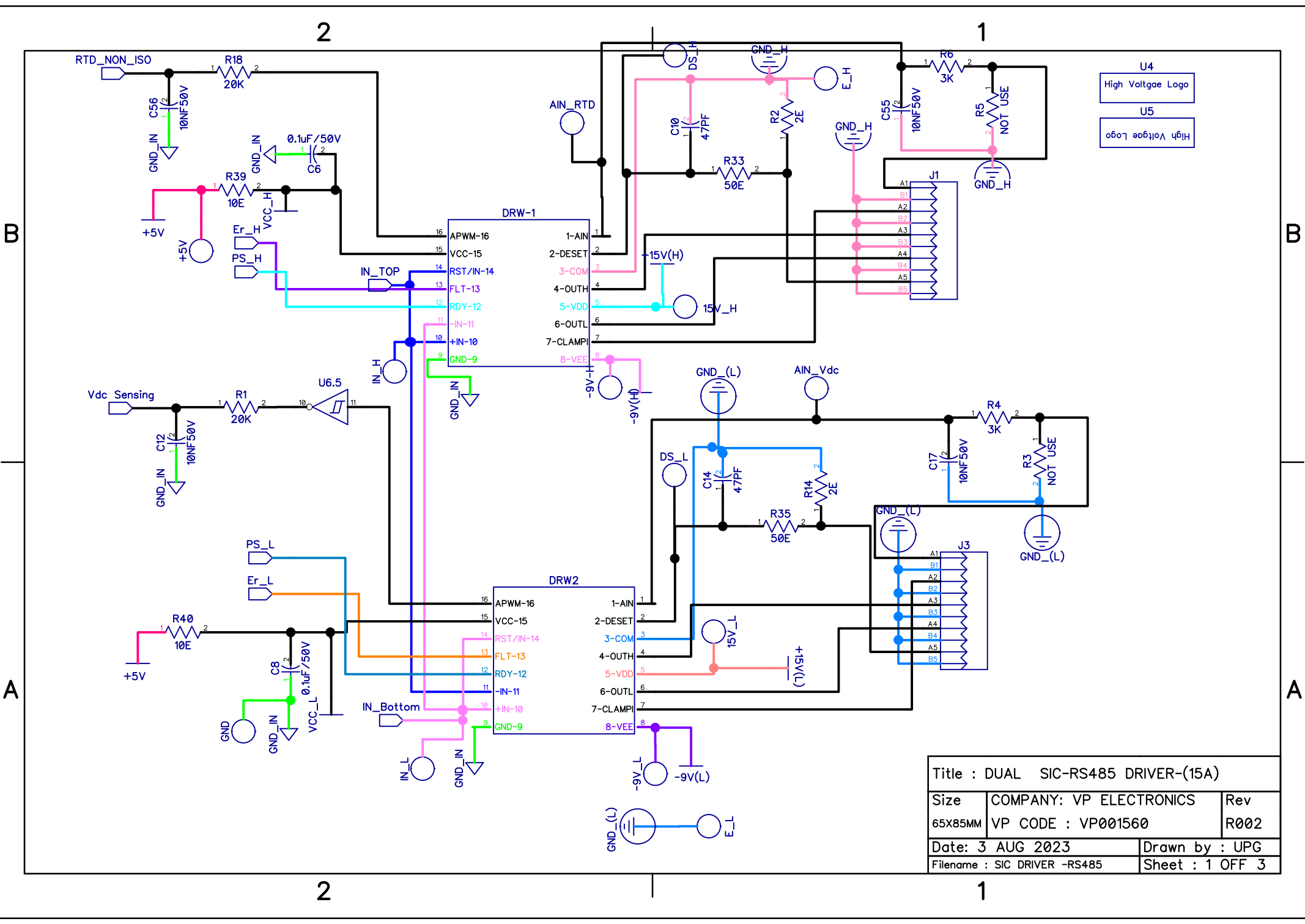
Title : DUAL SIC-RS485 DRIVER-(15A)		
Size 65x85MM	COMPANY: VP ELECTRONICS VP CODE : VP001560	Rev R002
Date : 3AUG 2023	Drawn by : UPG	
Filename : SIC DRIVER -RS485	Sheet : 3 OFF 3	

2

1

2

1



Title : DUAL SIC-RS485 DRIVER-(15A)		
Size 65x85MM	COMPANY: VP ELECTRONICS VP CODE : VP001560	Rev R002
Date: 3 AUG 2023	Drawn by : UPG	
Filename : SIC DRIVER -RS485	Sheet : 1 OFF 3	