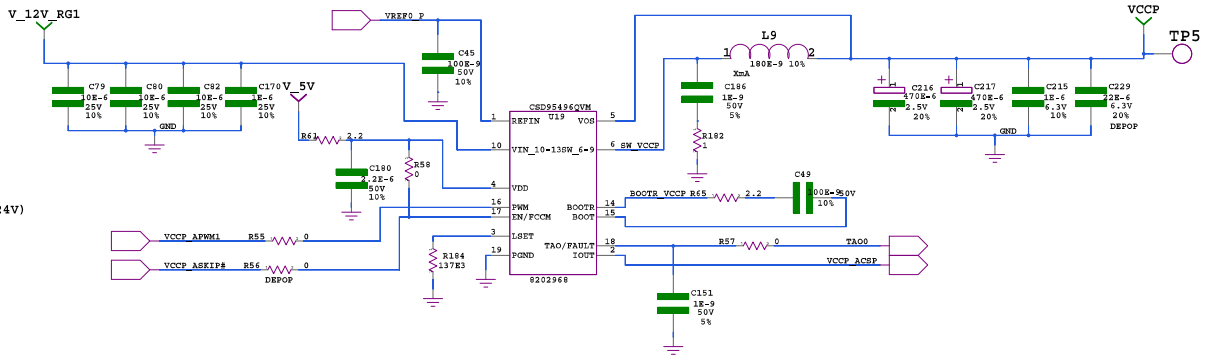
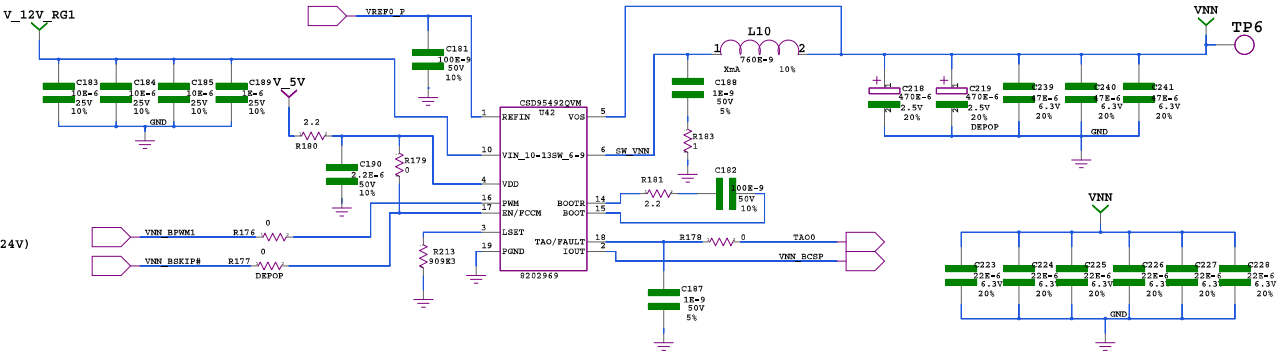
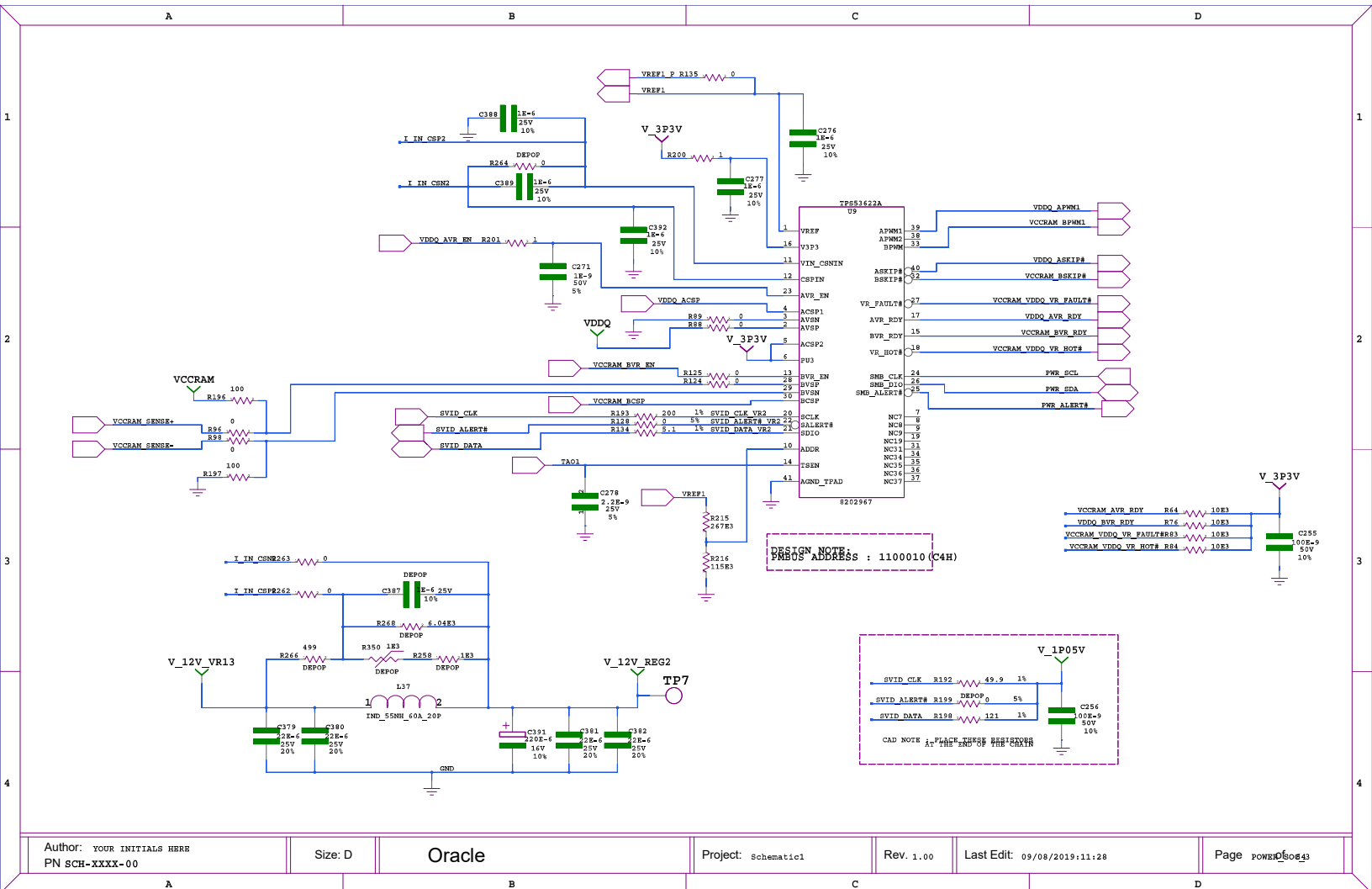


DESIGN NOTE:
 VIN = 12V
 VOUT = 5V (0.52V)
 VOUT = 1.15V (NOM)
 IOUT = 1.0A (TDC)
 IOUT = 1.0A (MAX)
 FSW = 60kHz
 LOAD LINE = 10mΩ
 RFB = 10mΩ
 RFB TOLERANCE = ±6%
 SVID_ADDR = 0x00H

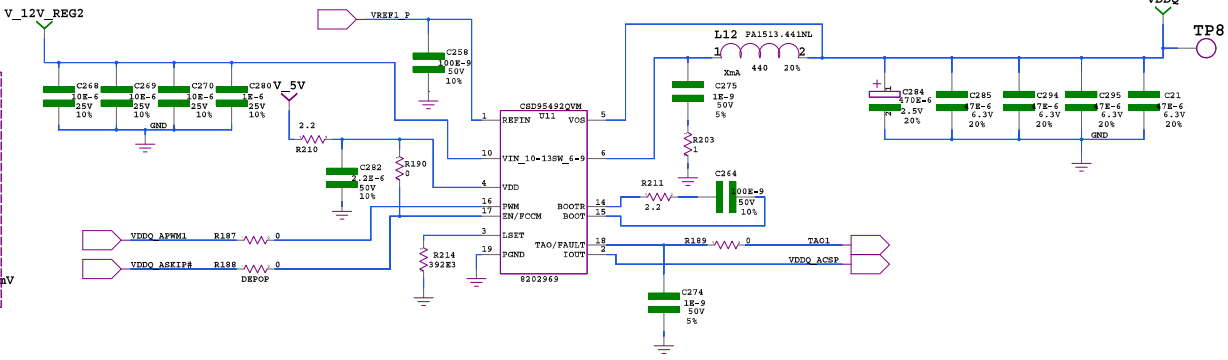


DESIGN NOTE:
 VIN = 12V
 VOUT = 5V (0.65V)
 VOUT = 1.05V (NOM)
 IOUT = 1.0A (TDC)
 IOUT = 1.0A (MAX)
 FSW = 60kHz
 LOAD LINE = 10mΩ
 RFB = 10mΩ
 RFB TOLERANCE = ±6%
 SVID_ADDR = 0x01H

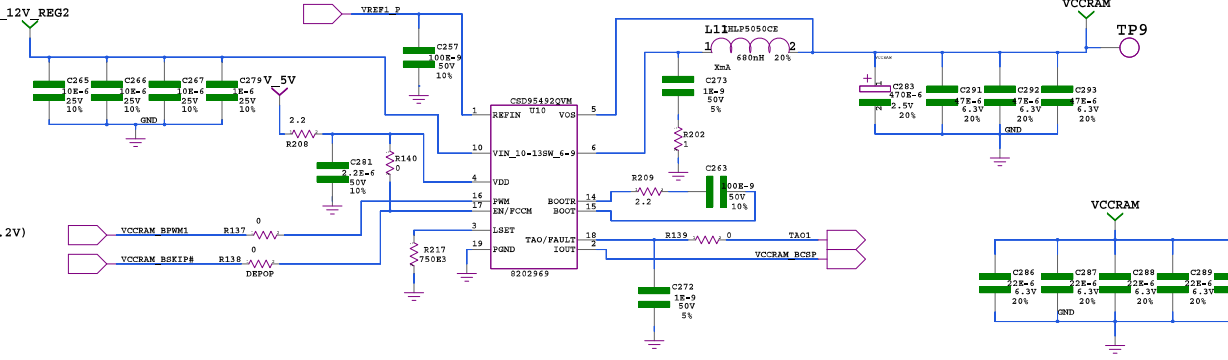


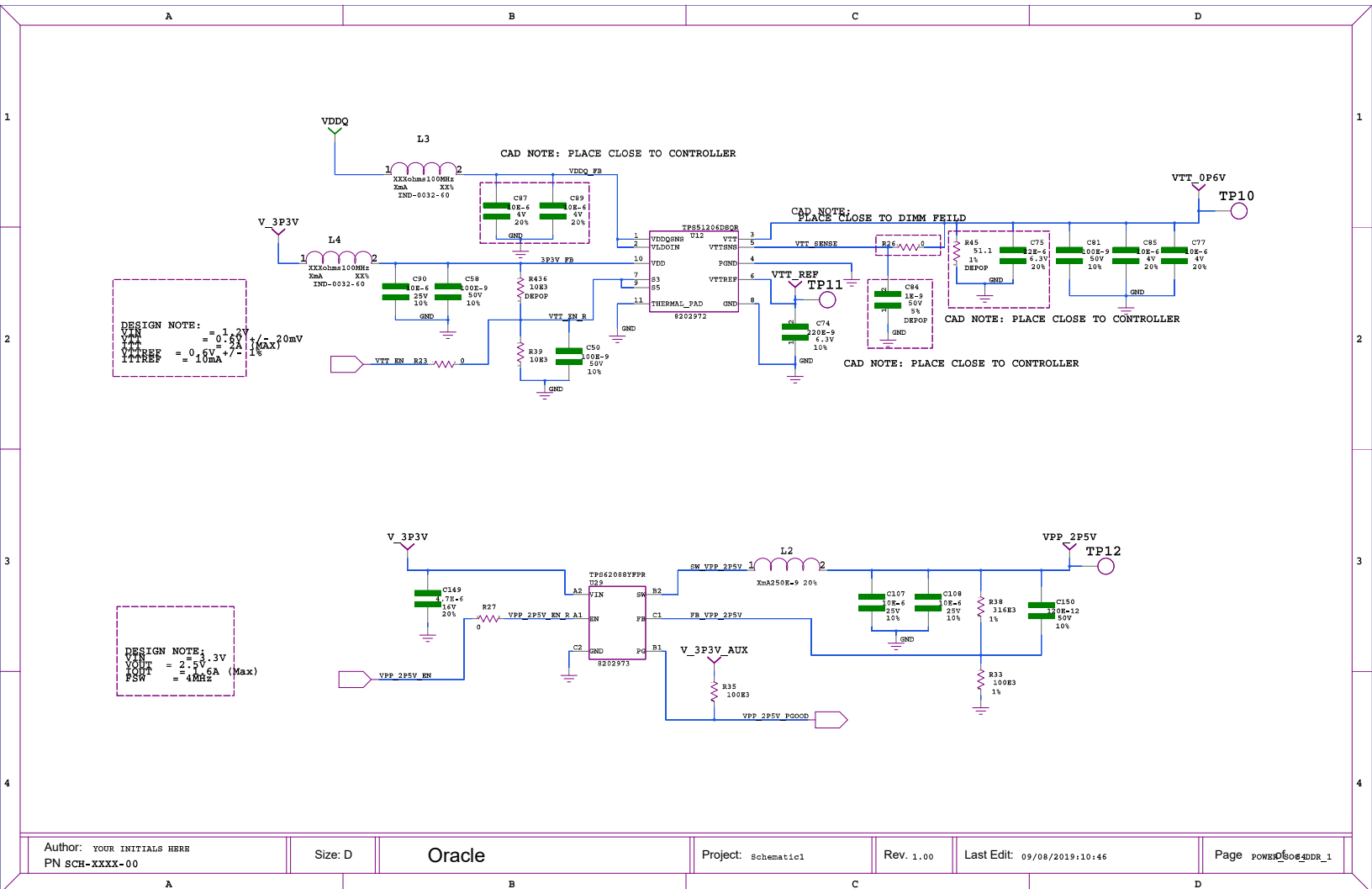


DESIGN NOTE:
 I = 1.2V (NOM)
 VDD = 1.0V (NOM)
 VDDT = 1.0V (MAX)
 IBOOT = 8A (MAX)
 IBOOT = 8A (MAX)
 FSR = 600KHz
 SVID LINE = 1000mV
 SVID TOLERANCE = ±5%
 SVID ADDR = 0x02H
 VDDO_ASPM1 = +60mV, -38mV



DESIGN NOTE:
 I = 1.2V (NOM)
 VDD = 1.0V (NOM)
 VDDT = 1.0V (MAX)
 IBOOT = 5A (TDC)
 IBOOT = 8A (MAX)
 FSR = 600KHz
 SVID LINE = 1000µS
 SVID TOLERANCE = ±0.5%
 SVID ADDR = 0x03H





Author: YOUR INITIALS HERE
 PN SCH-XXXX-00

Size: D

Oracle

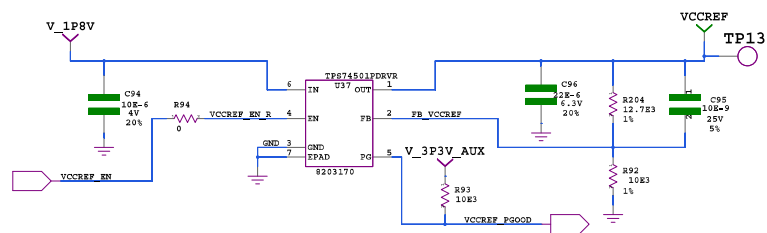
Project: Schematic1

Rev. 1.00

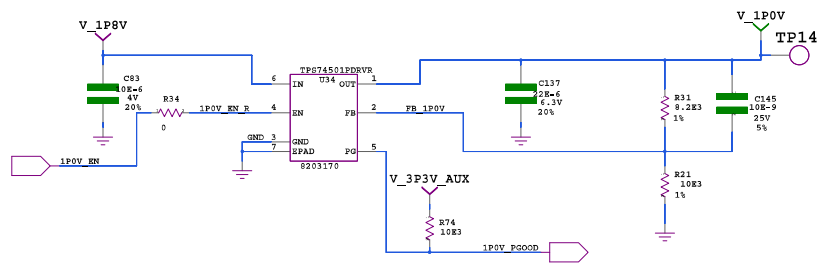
Last Edit: 09/08/2019:10:46

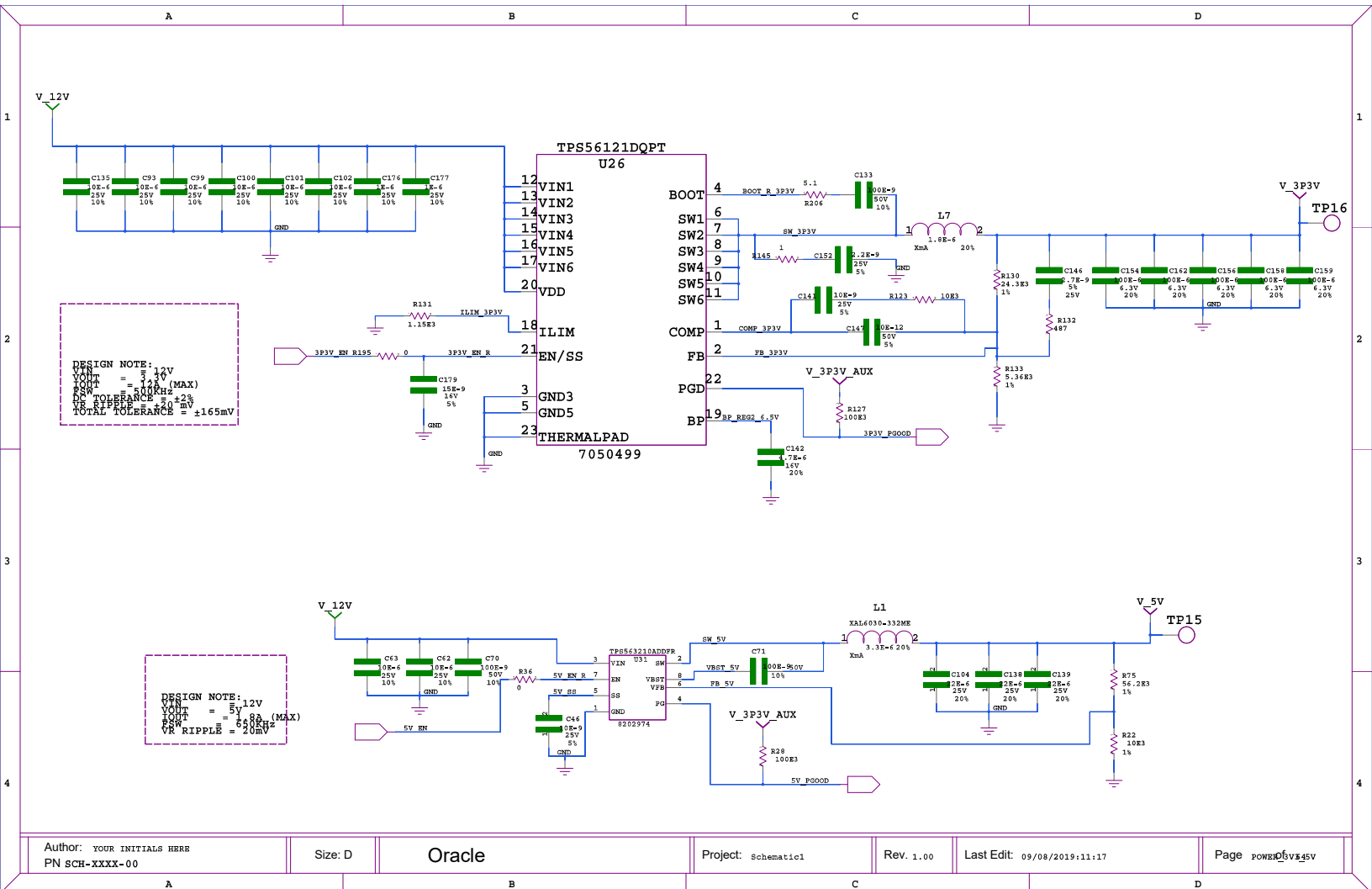
Page POWER05064DR_1

DESIGN NOTE:
 VIN = 1.8V
 VOUT = 1.18V
 IOUT = 0.3A (TDC)
 IOUT = 0.3A (MAX)
 DC TOLERANCE = ±2.1%
 VR APPLIED = NA
 TOTAL TOLERANCE = 50mV

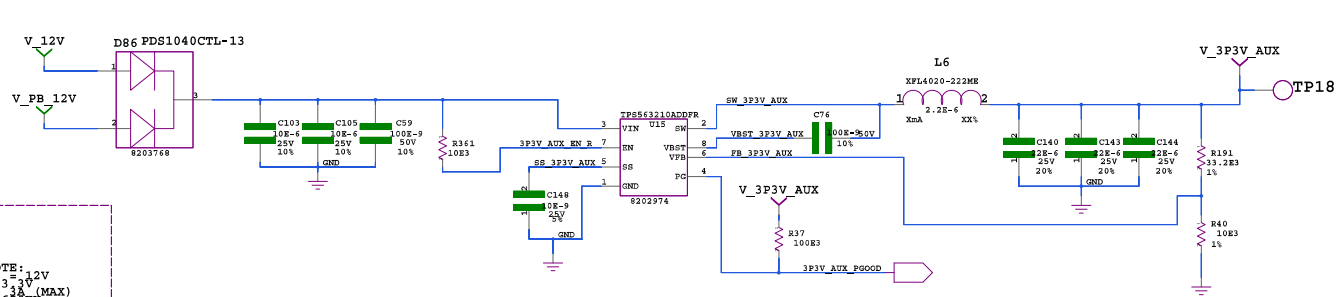


DESIGN NOTE:
 VIN = 1.8V
 VOUT = 1.18V
 IOUT = 0.3A (TDC)
 IOUT = 0.3A (MAX)
 VOUT ACCURACY = ±0.7%

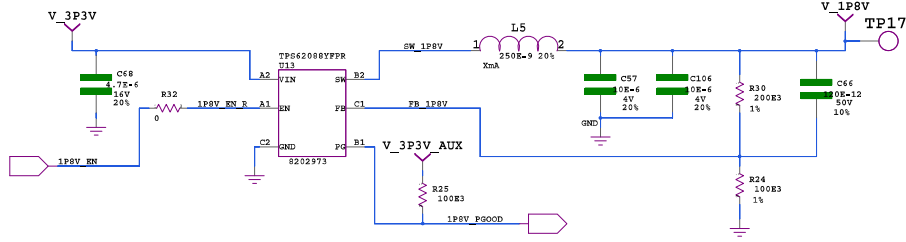




A B C D



DESIGN NOTE:
 VIN = 12V
 VOUT = 3.3V
 ISW = 100mA (MAX)
 FSW = 100kHz
 CR TOLERANCE = ±2.1%
 CR TOLERANCE = ±2.1%
 TOTAL TOLERANCE = ±72mV



DESIGN NOTE:
 VIN = 3.3V
 VOUT = 1.8V
 ISW = 100mA (MAX)
 FSW = 400kHz
 CR TOLERANCE = ±2.1%
 CR TOLERANCE = ±2.1%
 TOTAL TOLERANCE = ±72mV

Author: YOUR INITIALS HERE
 PN SCH-XXXX-00

Size: D

Oracle

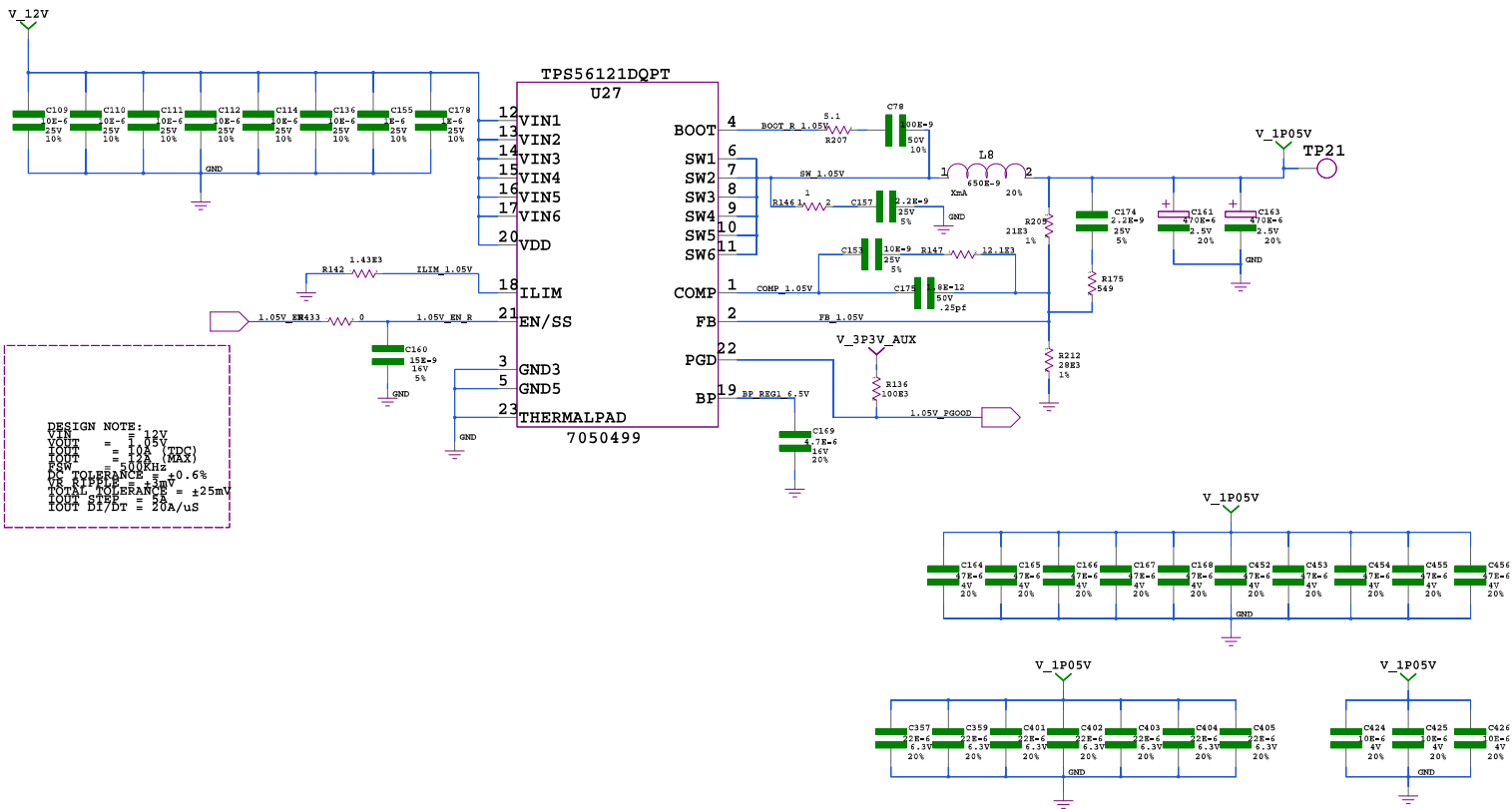
Project: Schematic1

Rev. 1.00

Last Edit: 09/08/2019:11:11

Page POWER05VEMUX_1V8

A B C D



DESIGN NOTE:
 VIN = 12V
 VOUT = 1.5V
 IOHA = 10A (TPC)
 IOHB = 10A (MAX)
 FSW = 500KHz
 PSRR TOLERANCE = ±0.6%
 OSR TOLERANCE = ±25mV
 IOHA TOLERANCE = ±2A
 IOHB TOLERANCE = ±2A
 IOHT DI/Dt = 20A/us