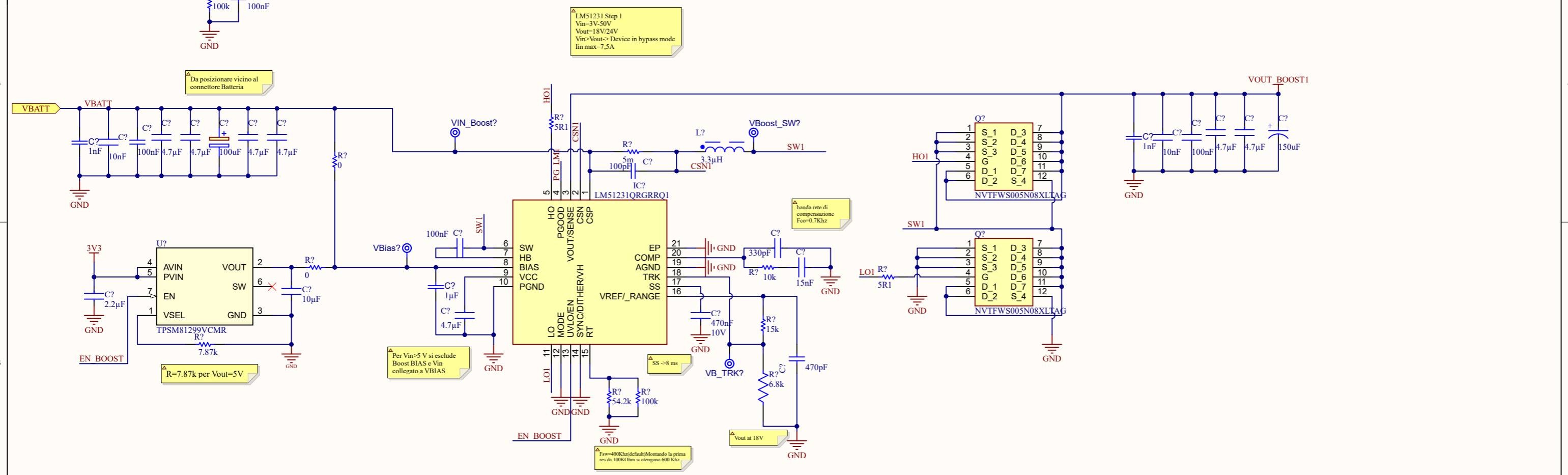
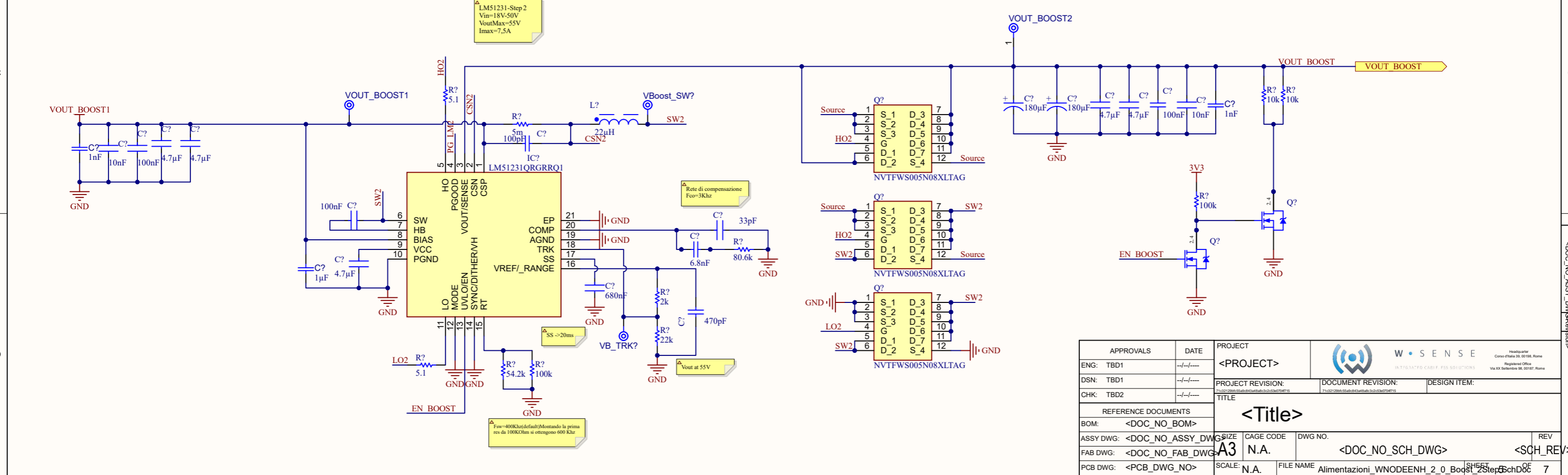


REVISION	DESCRIPTION	DATE	APPROVED
<SCH_REV>	<SCH_REV_DESCR>	-/-/-	TBD

Boost - Step 1



Boost - Step 2



APPROVALS	DATE	PROJECT
ENG: TBD1	-/-/-	<PROJECT>
DSN: TBD1	-/-/-	PROJECT REVISION:
CHK: TBD2	-/-/-	DOCUMENT REVISION:
REFERENCE DOCUMENTS		DESIGN ITEM:
BOM: <DOC_NO_BOM>		TITLE
ASSY DWG: <DOC_NO_ASSY_DWG>		<Title>
FAB DWG: <DOC_NO_FAB_DWG>	CAGE CODE	DWG NO.
PCB DWG: <PCB_DWG_NO>	SCALE: N.A.	FILE NAME
Alimentazioni_WNODEENH_2_0_Boost_2Step1		REV
A3		<DOC_NO_SCH_DWG>
N.A.		<SCH_REV>
7		7