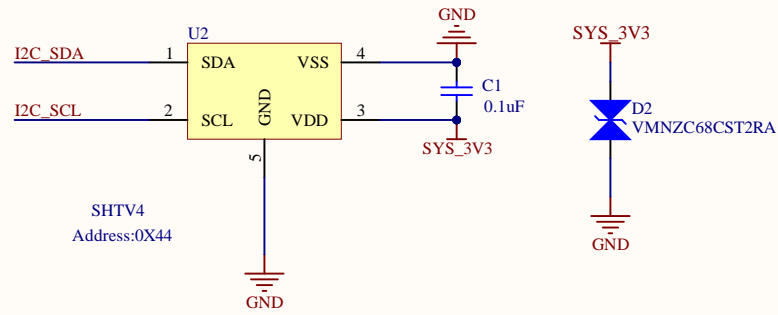
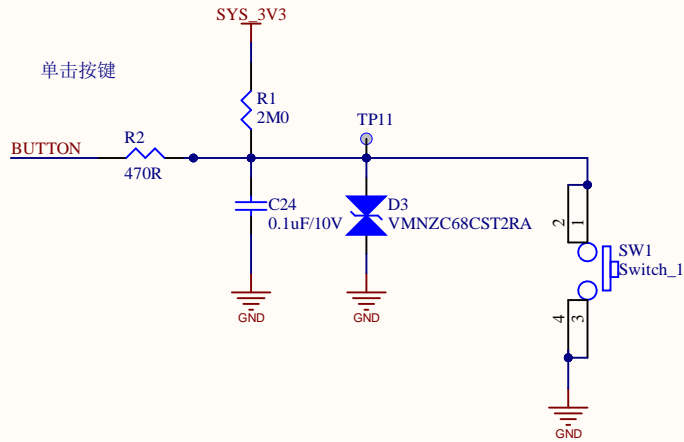


Title		
Size A4	Number	Revision
Date:	12/13/2023	Sheet of
File:	D:\Ron\...\BLE_TELINK.SchDoc	Drawn By:

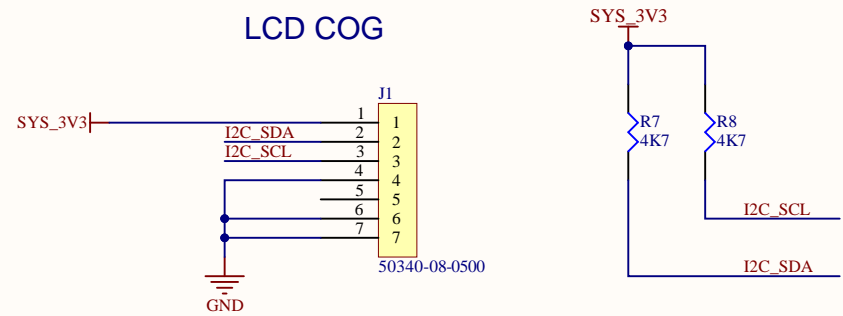
Temp



Switch

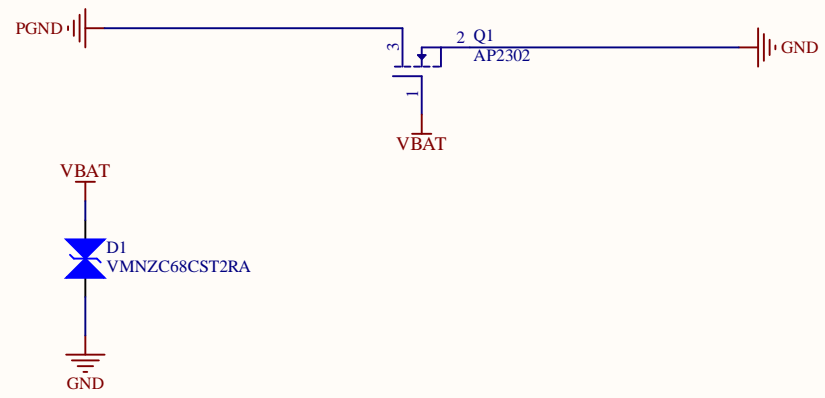
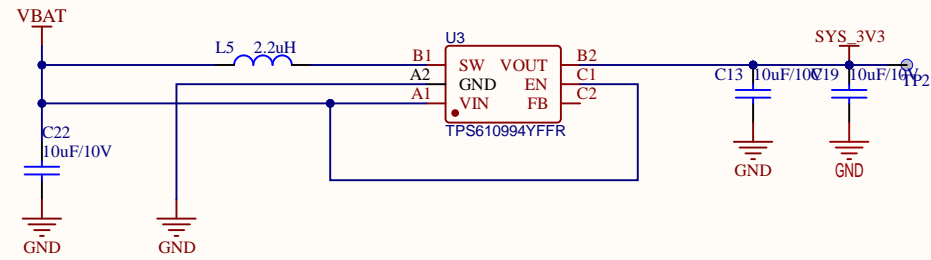


LCD COG



Title		
Size	Number	Revision
A4		
Date:	12/13/2023	Sheet of
File:	D:\Ron\...\LCD.SchDoc	Drawn By:

VBAT to SYS_3V3



Title		
Size A4	Number	Revision
Date: 12/13/2023	Sheet of	
File: D:\Ron\...\PER.SchDoc	Drawn By:	