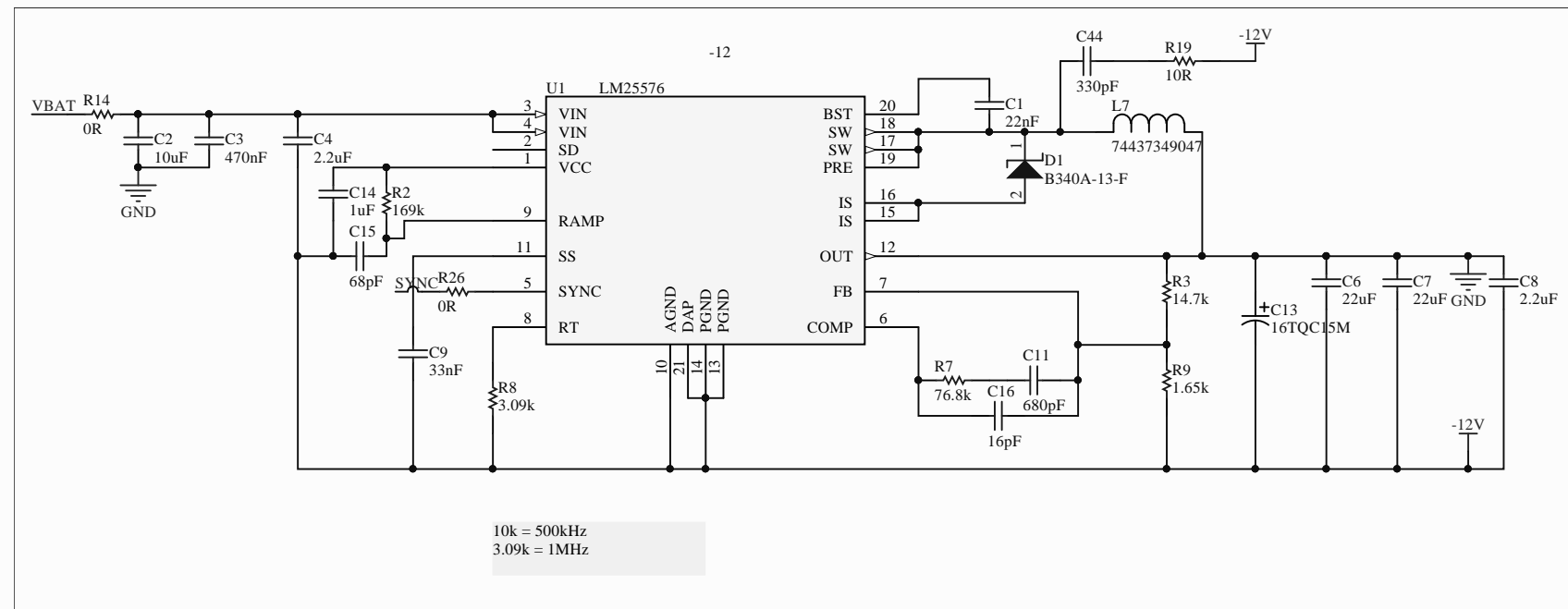
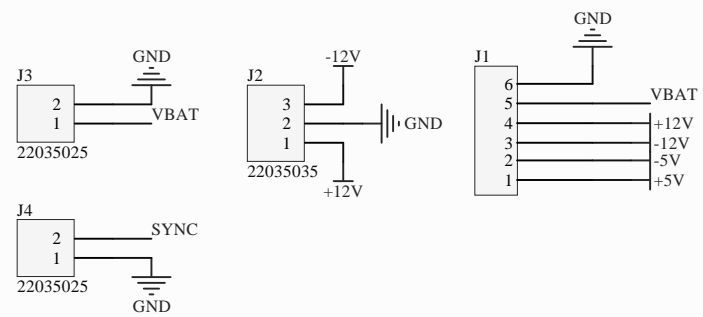
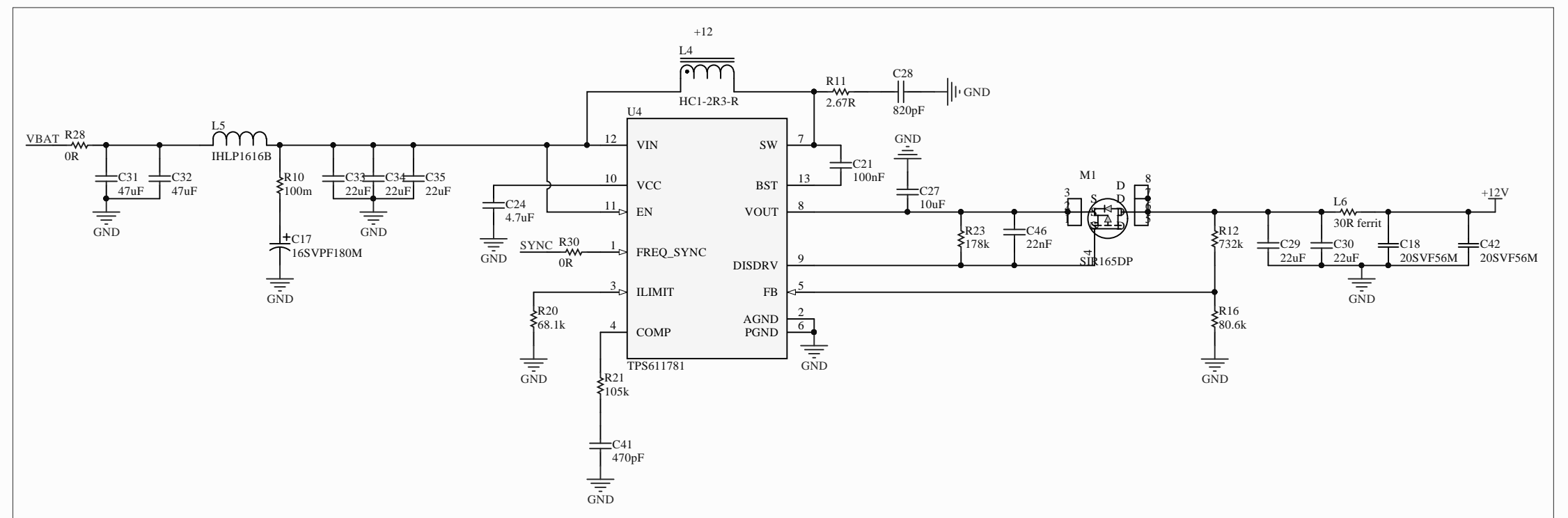
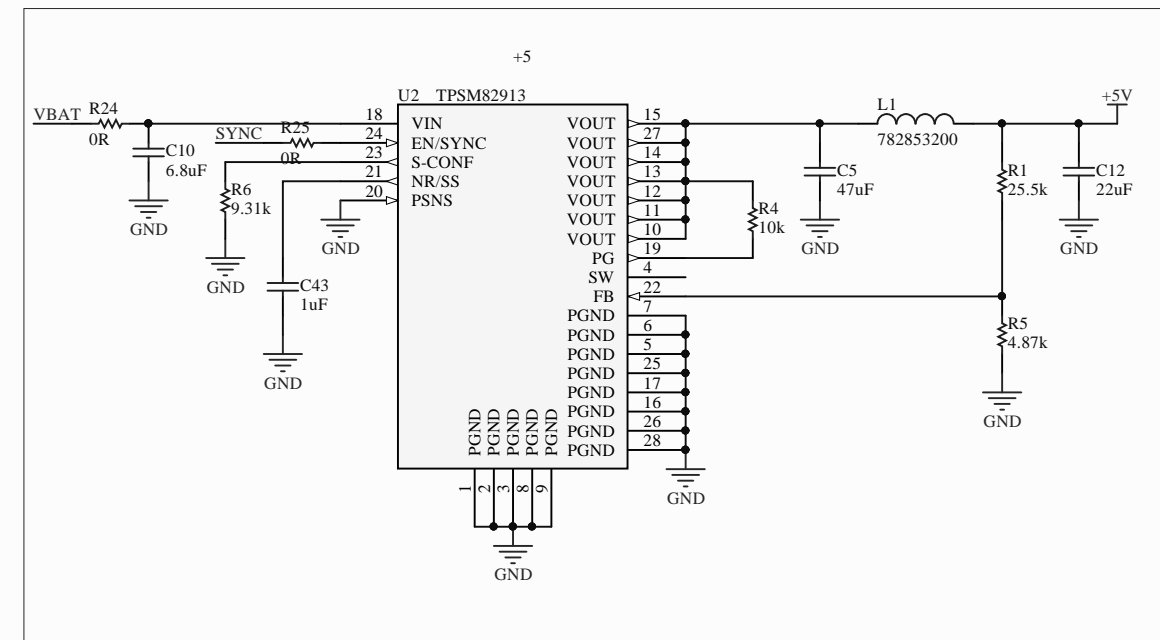
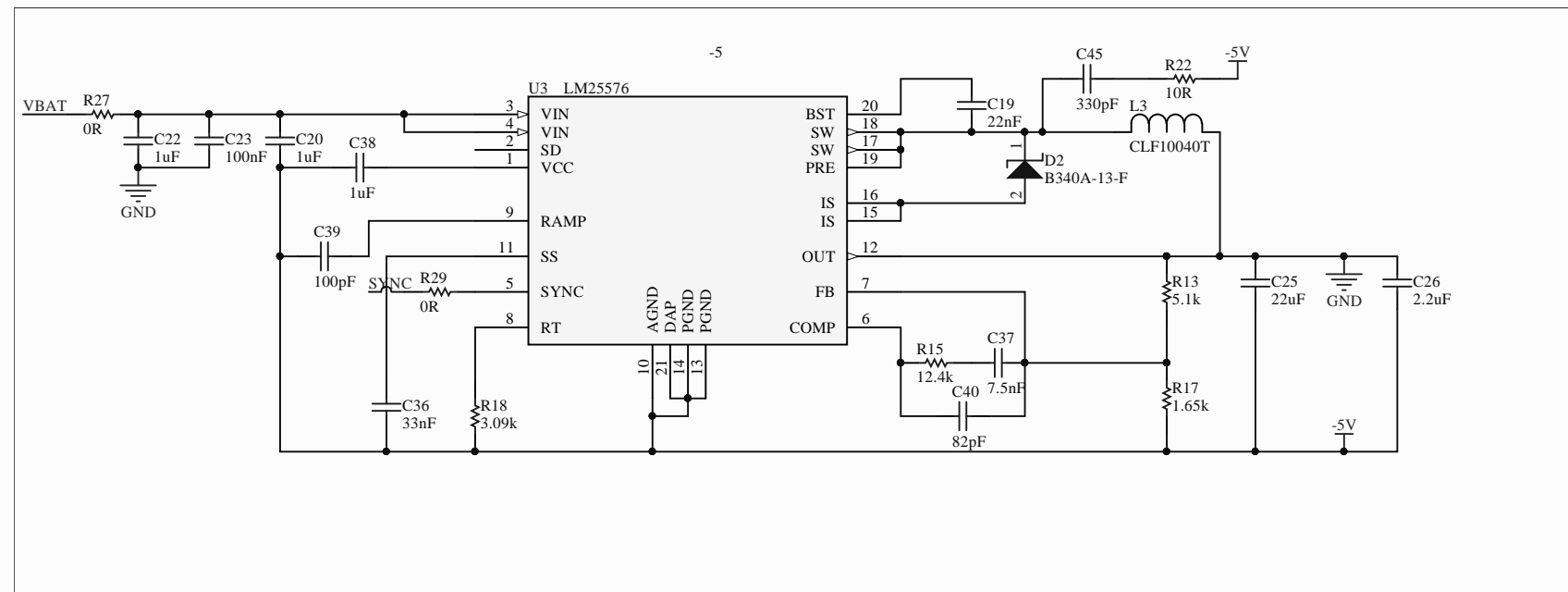


L7 yerine XGL5050MEC de olabilir.
L7 yerine HCM0703 de olabilir.



10k = 500kHz
3.09k = 1MHz



Title		
Size	Number	Revision
A2		
Date:	21.11.2023	Sheet of
File:	C:\Users\...E4-PWR.SchDoc	Drawn By: