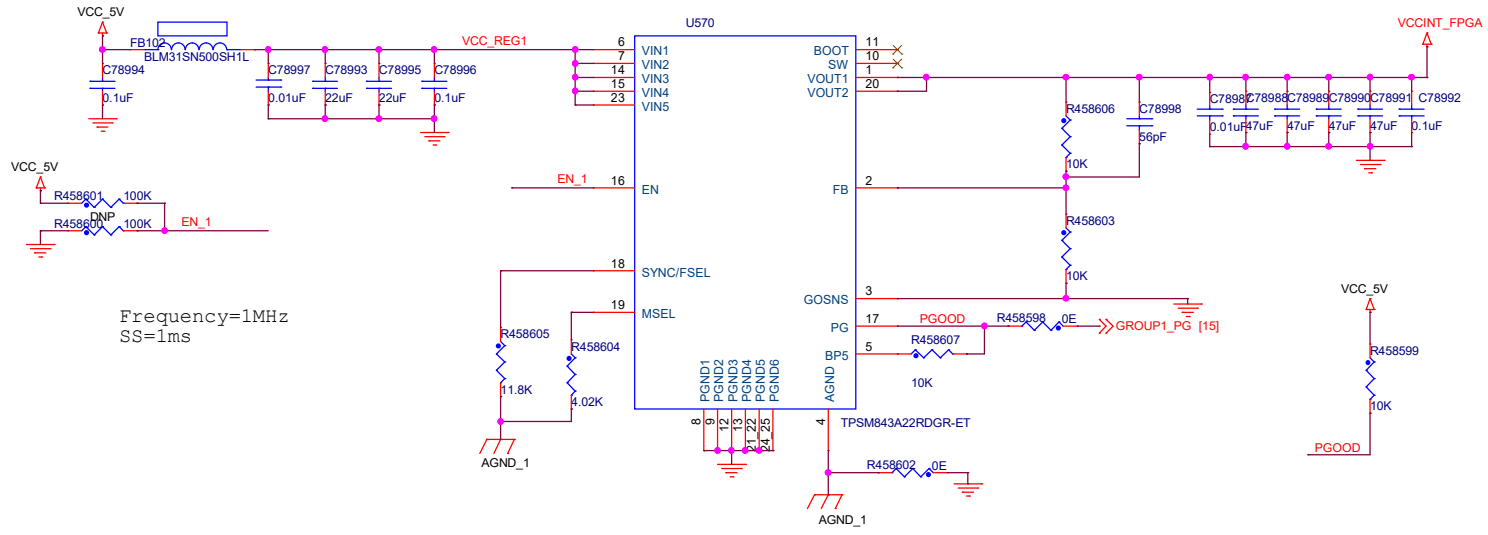


5V TO 1V REGULATOR



Title		
<Title>		
Size	Document Number	Rev
B	<Doc>	<RevCode>
Date:	Tuesday, January 13, 2026	Sheet 1 of 1