
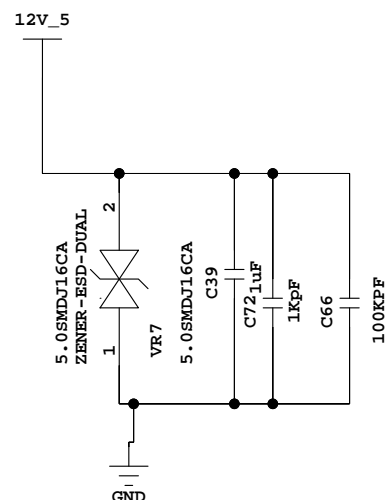
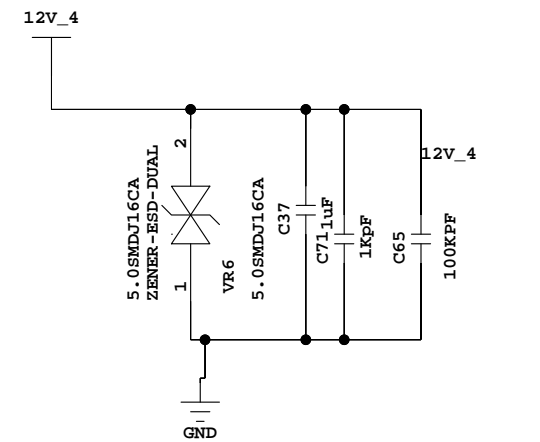
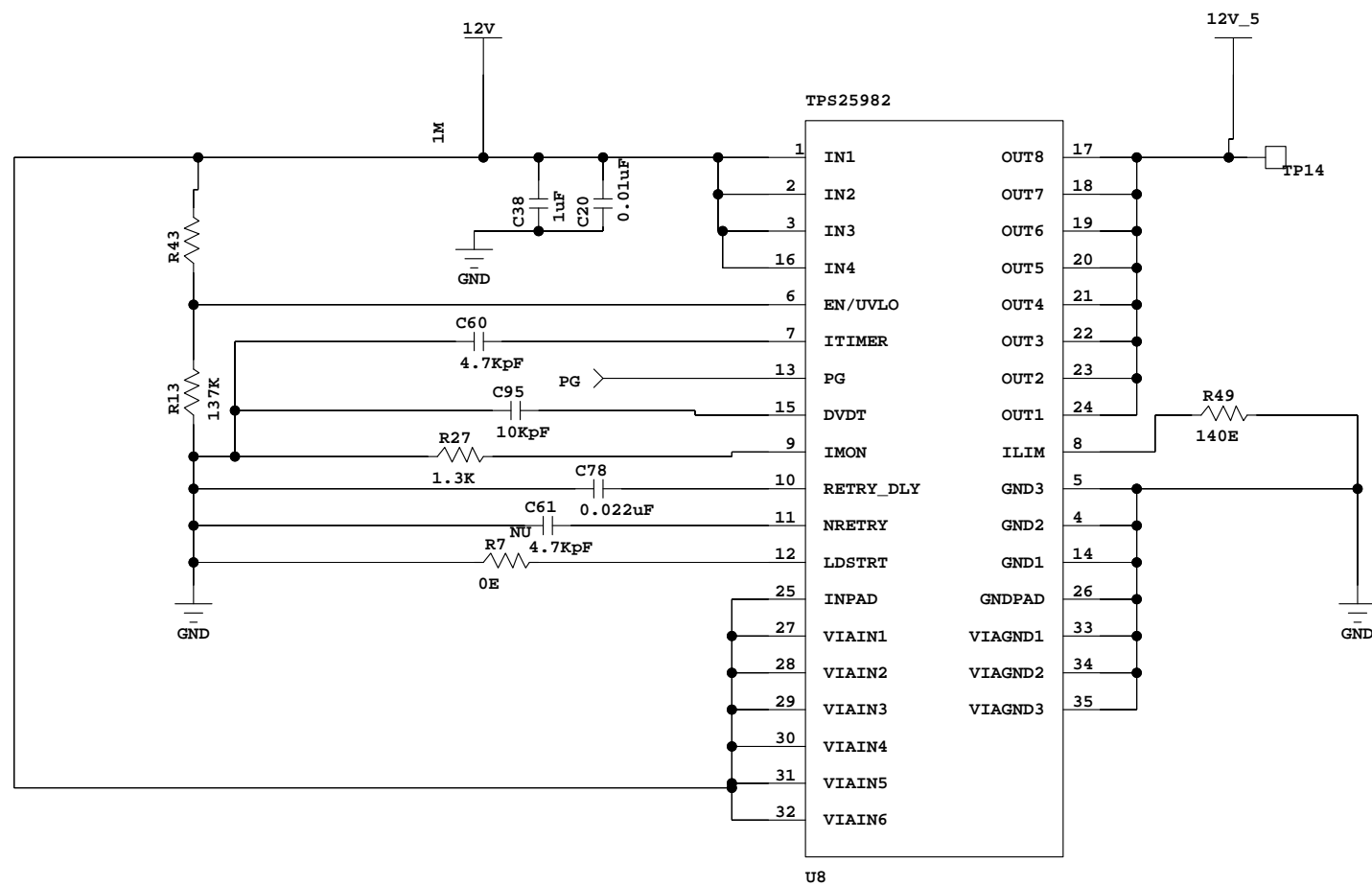
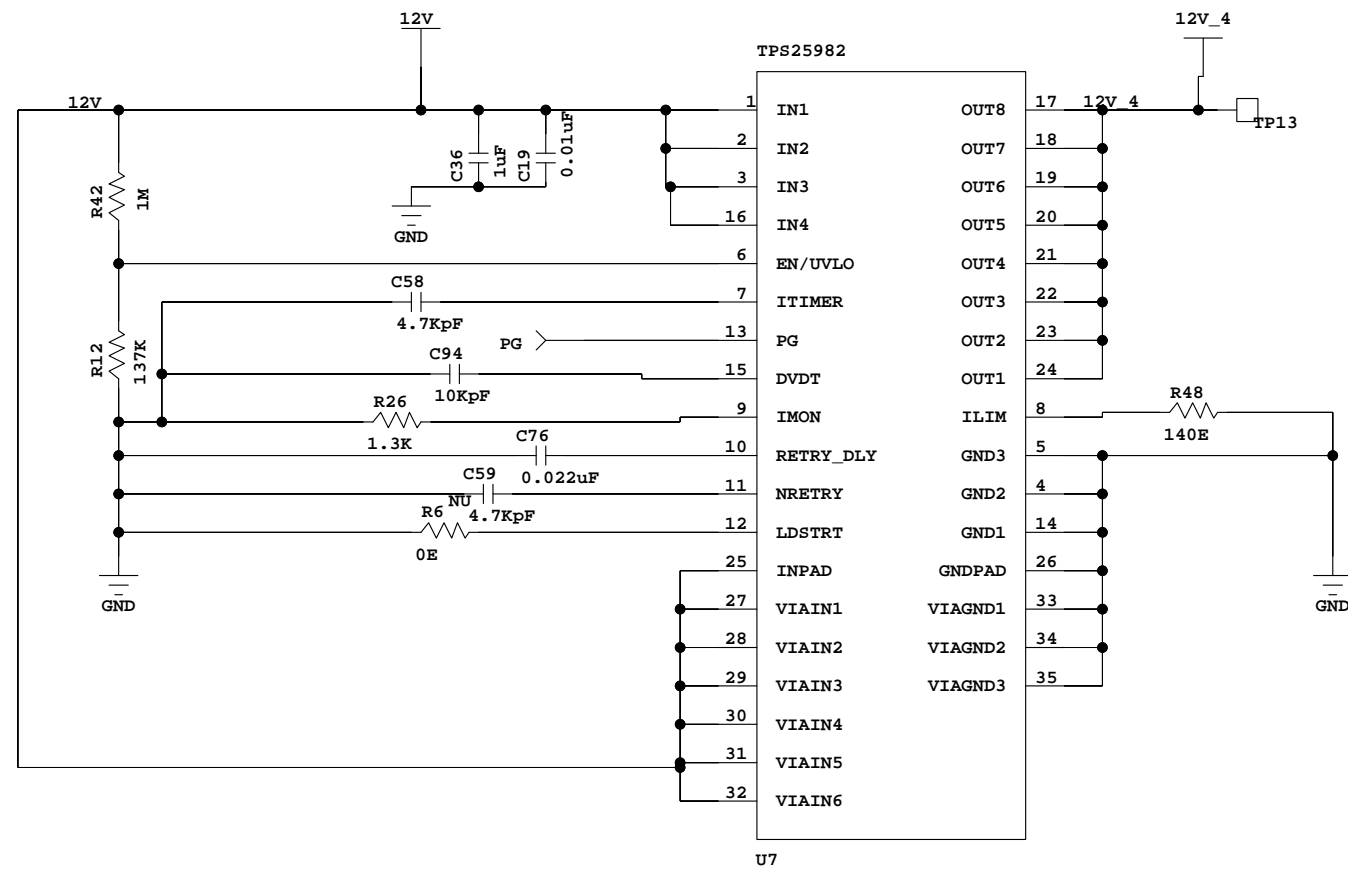



|   |                 |            |
|---|-----------------|------------|
| CHKD:   | APPD:           |            |
| CARD NAME:<br>CIRCUIT SCHEMATICS  | ISSUE:<br>01    | REV:<br>00 |
| DWG.NO.:  |                 |            |
|  <b>C-DOT</b><br>CENTRE FOR DEVELOPMENT OF<br>TELEMATICS-DELHI | DATE:08-05-2019 |            |
|   | SHEET: ? OF 1   |            |



|   |                 |            |
|---|-----------------|------------|
| CHKD:   | APPD:           |            |
| CARD NAME:<br>CIRCUIT SCHEMATICS  | ISSUE:<br>01    | REV:<br>00 |
| DWG.NO.:  |                 |            |
|  CENTRE FOR DEVELOPMENT OF<br>TELEMATICS-DELHI | DATE:08-05-2019 |            |
|   | SHEET: ? OF 1   |            |