

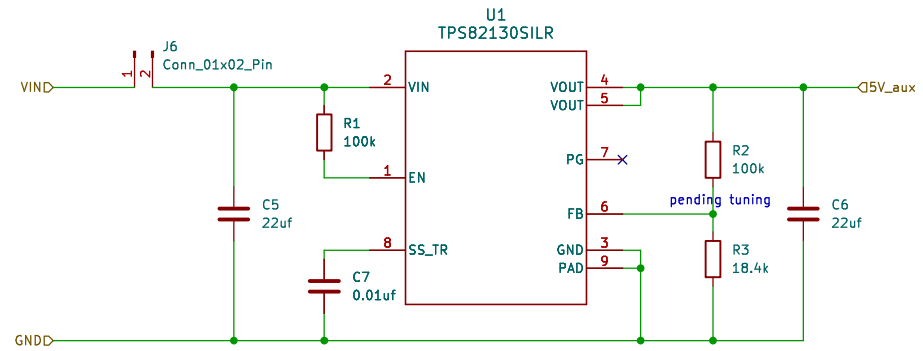
**OSSUS BIO RENEWABLES**

Sheet: /  
File: EPU40X4\_6LAYER.kicad\_sch

**Title: EPU 40x4**

Size: A4 Date: 20/01/2025  
KiCad E.D.A. 9.0.2

Rev: 1  
Id: 1/7



**OSSUS BIO RENEWABLES**

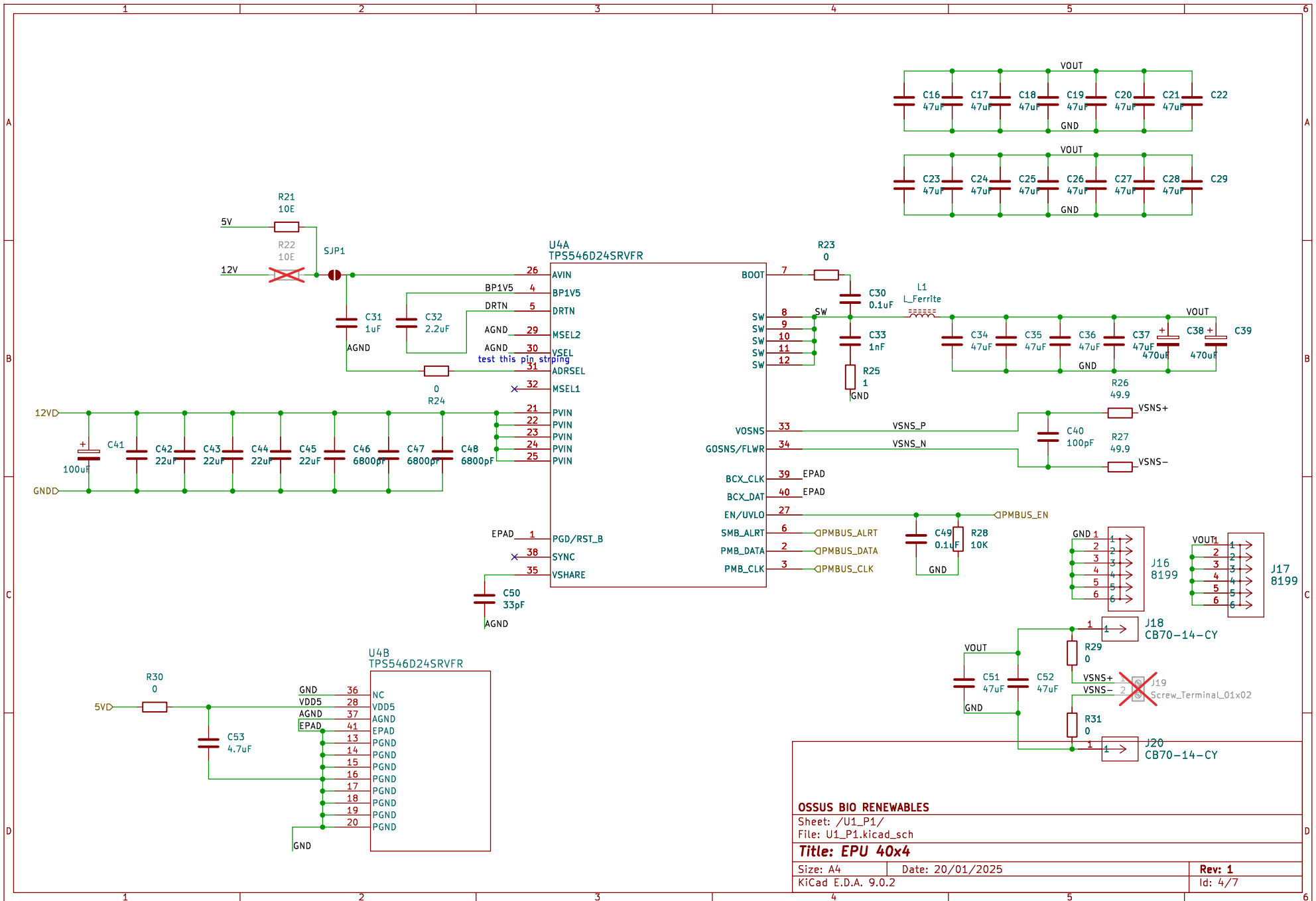
Sheet: /VDD5\_AUX/  
File: vdd5\_aux.kicad\_sch

**Title: EPU 40x4**

Size: A4 Date: 20/01/2025  
KiCad E.D.A. 9.0.2

Rev: 1  
Id: 2/7





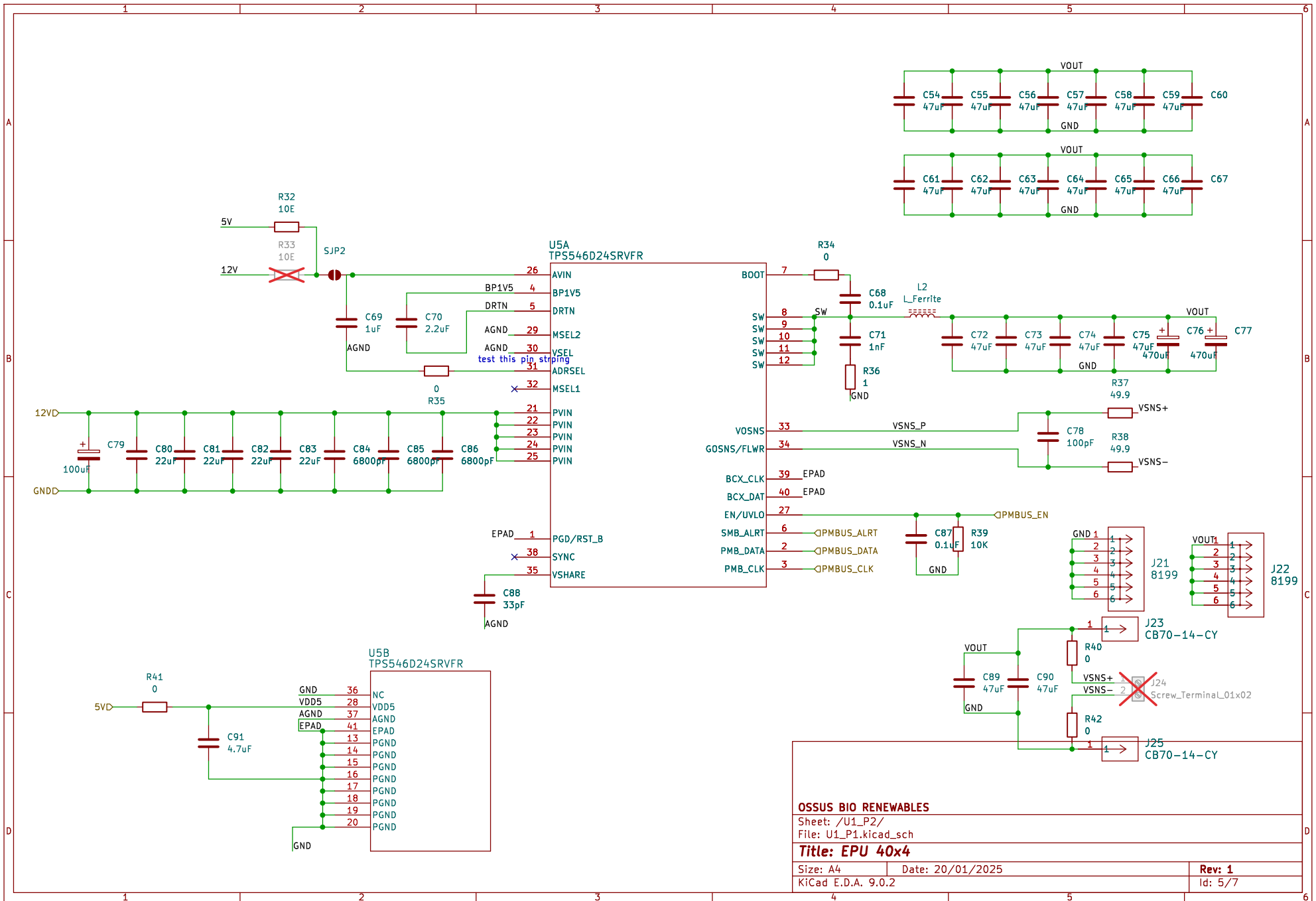
**OSSUS BIO RENEWABLES**

Sheet: /U1\_P1/  
File: U1\_P1.kicad\_sch

**Title: EPU 40x4**

Size: A4 Date: 20/01/2025  
KiCad E.D.A. 9.0.2

Rev: 1  
Id: 4/7



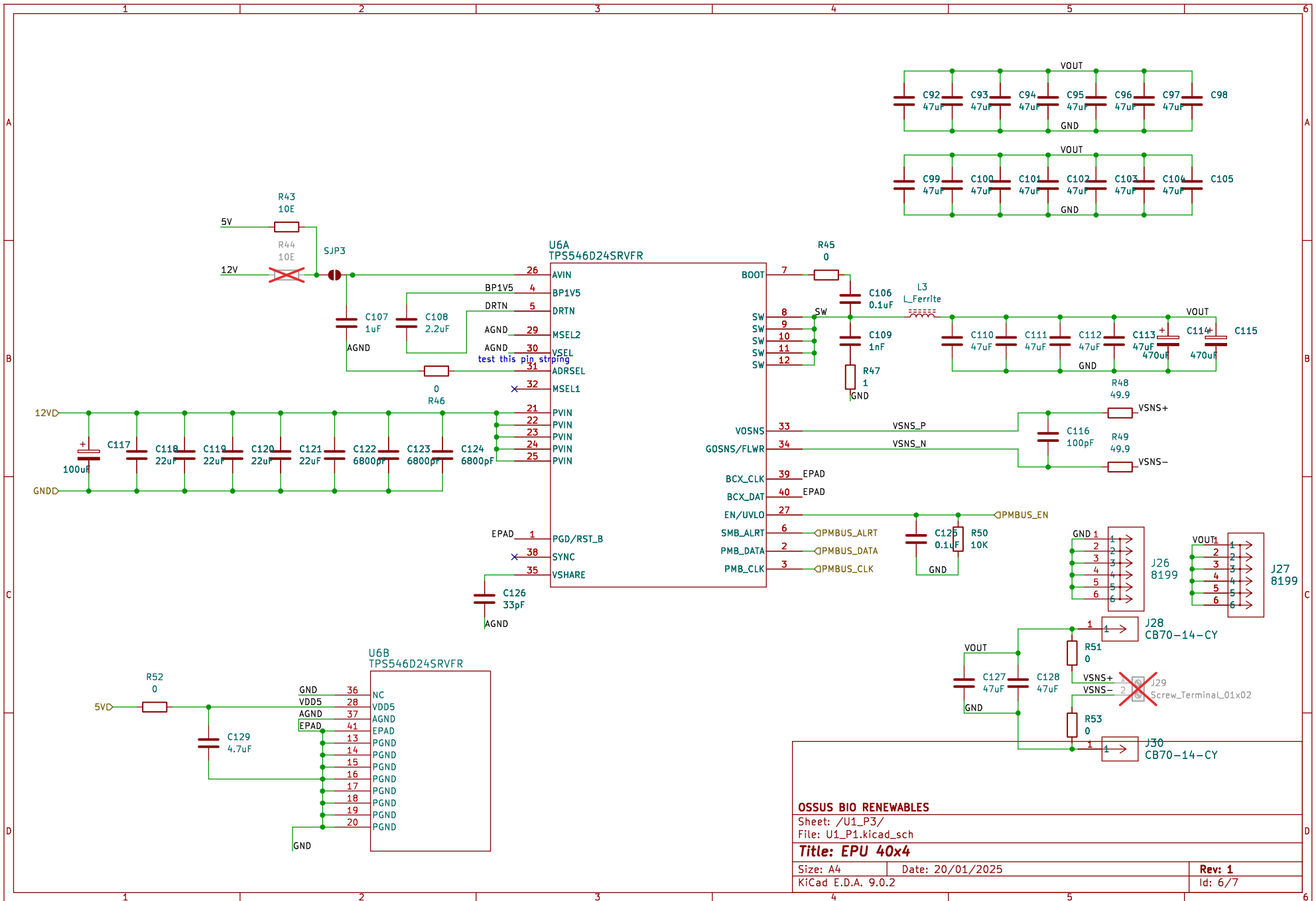
OSSUS BIO RENEWABLES

Sheet: /U1\_P2/  
File: U1\_P1.kicad\_sch

Title: EPU 40x4

Size: A4 Date: 20/01/2025  
KiCad E.D.A. 9.0.2

Rev: 1  
Id: 5/7



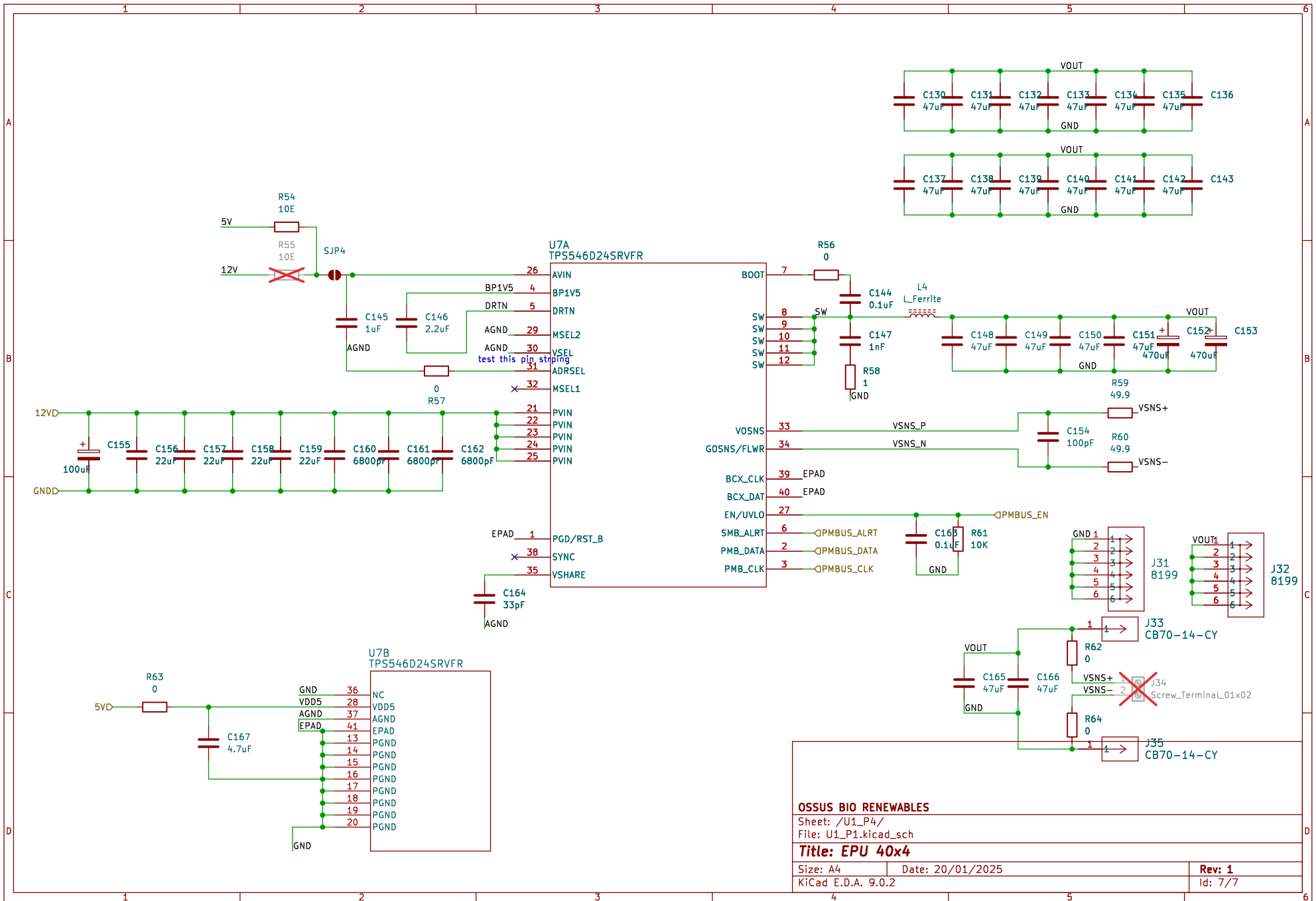
OSSUS BIO RENEWABLES

Sheet: /U1\_P3/  
File: U1\_P1.kicad\_sch

**Title: EPU 40x4**

Size: A4 Date: 20/01/2025  
KiCad E.D.A. 9.0.2

Rev: 1  
Id: 6/7



**OSSUS BIO RENEWABLES**

Sheet: /U1\_P4/  
File: U1\_P1.kicad\_sch

**Title: EPU 40x4**

Size: A4 Date: 20/01/2025  
KiCad E.D.A. 9.0.2

Rev: 1  
Id: 7/7