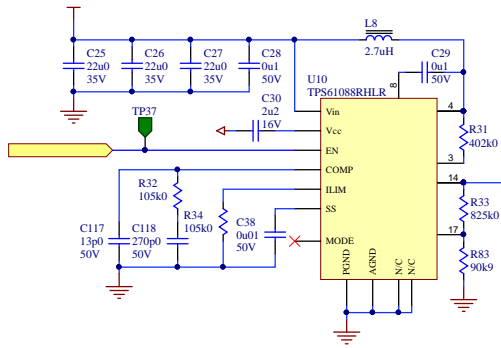
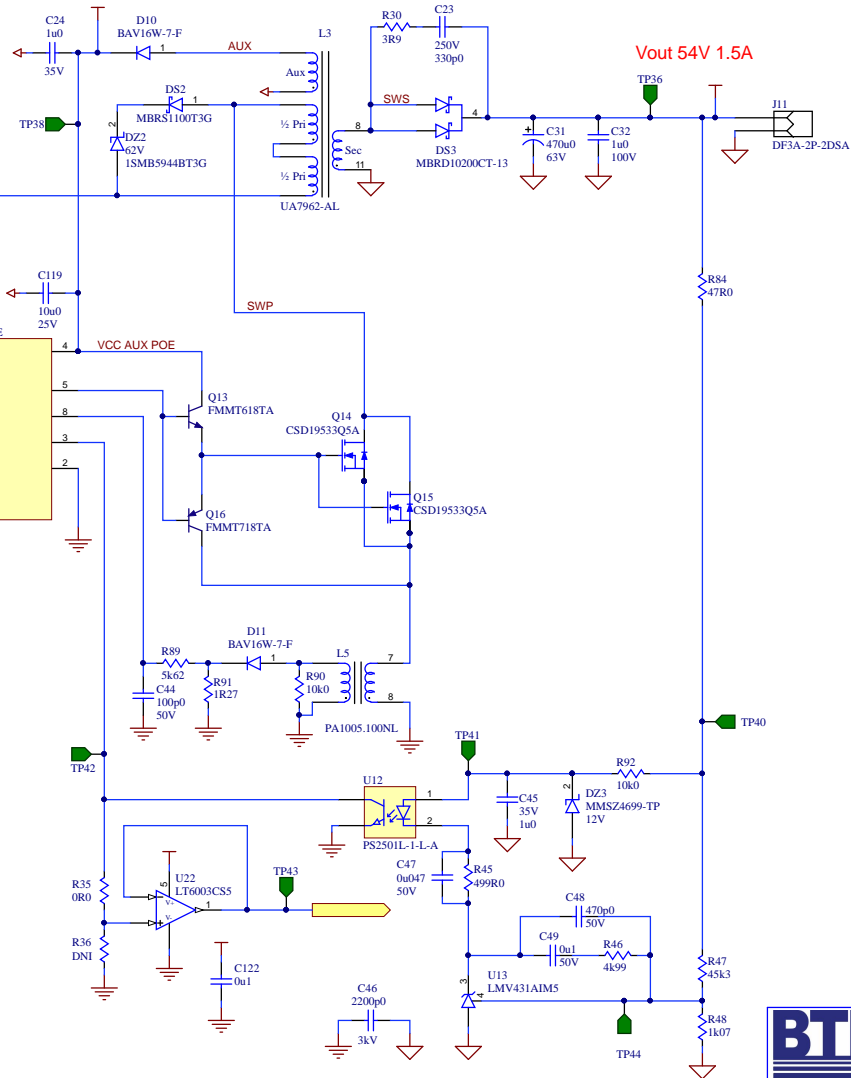


POWER OVER ETHERNET DC/DC CONVERTER

BOOST REGULATOR



ISOLATED DC/DC CONVERTER



Vout 54V 1.5A

POWER OVER ETHERNET
TO PROCESSOR BOARD



TITLE	Power Supply	REV	A01
PROJECT	FlexSpec	DRAWING NUMBER	ER120901-011S
DESIGNED BY	AS	DATE	2019-May-28
DESIGNED BY	AS	FILE NAME	ER120901-011S-03-A01.SchDoc
PRINTED ON	3 = 8		
ER120901-011A-A			

BTI Company Proprietary

APPROVED BY _____ DATE APPROVED _____