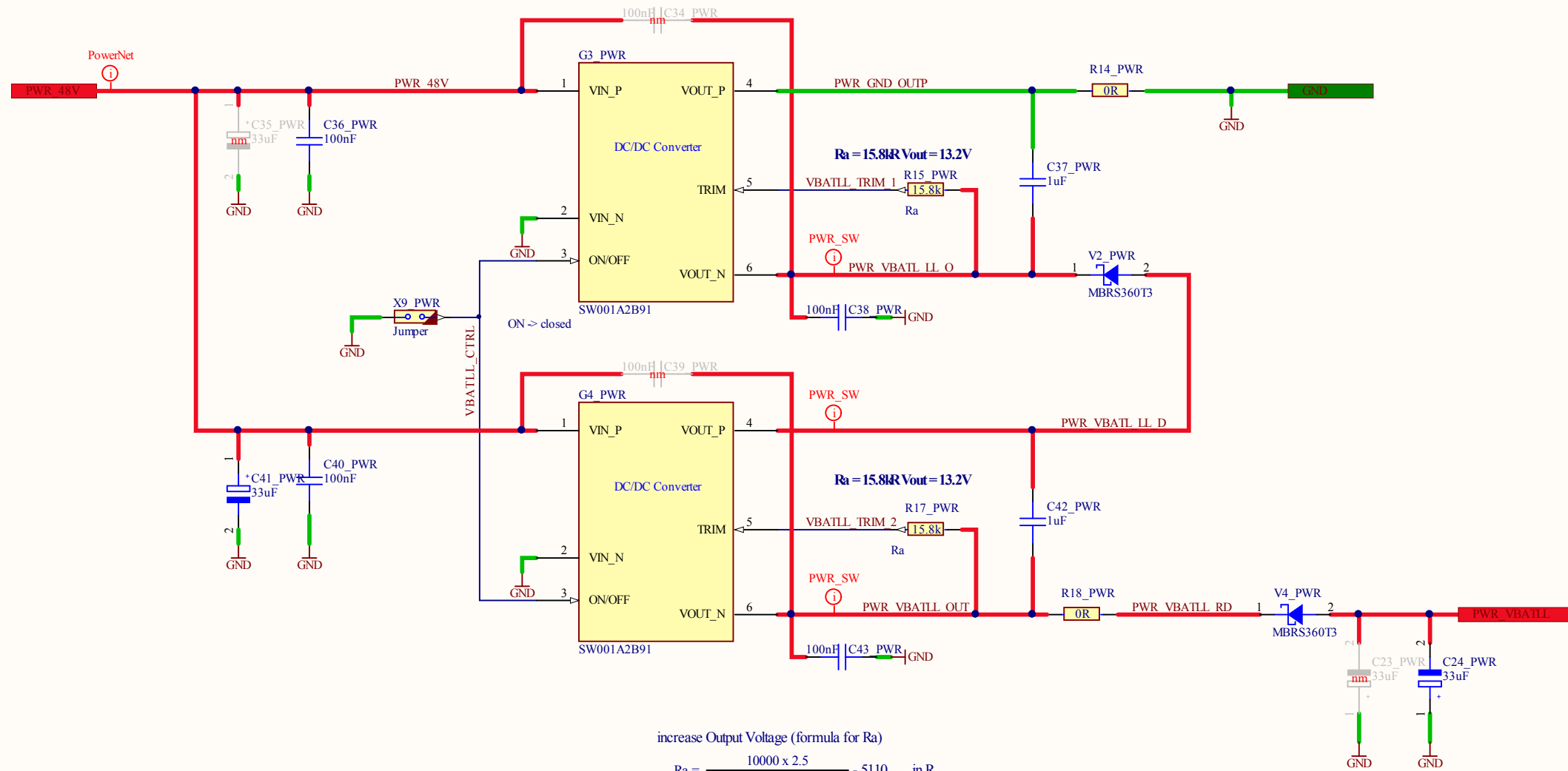


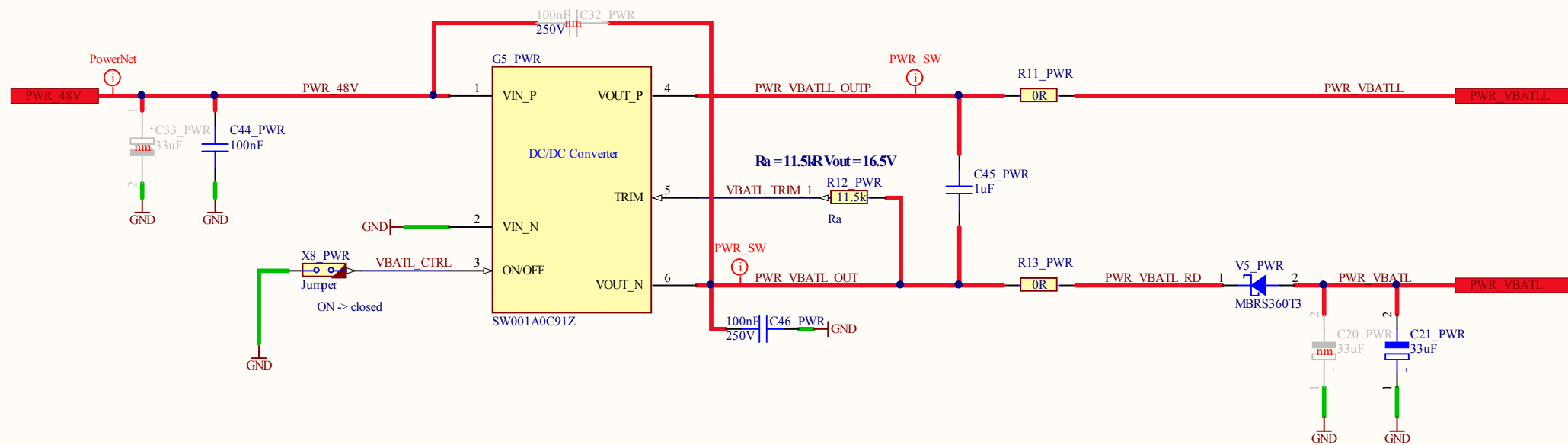
Power-Supply_VBATLL.SchDoc



Preliminary

		Lantiq Deutschland GmbH CE.SD.CHW Am Campeon 3 - 85579 Neuburg - Germany	
Title: VINETIC-XI16 Reference Board			
Variant: Default_Assembly			Approved: <Appr.>
Size: A3	Document Name: Power-Supply_VBATLL.SchDoc	Rel. RC02	Rev. V1.2.1
Date: 23.07.2010 Time: 15:28:19		Author: <Author>	Sheet 32 of 34
© Lantiq Deutschland GmbH 2009. All Rights Reserved.			


Power-Supply_VBATL.SchDoc



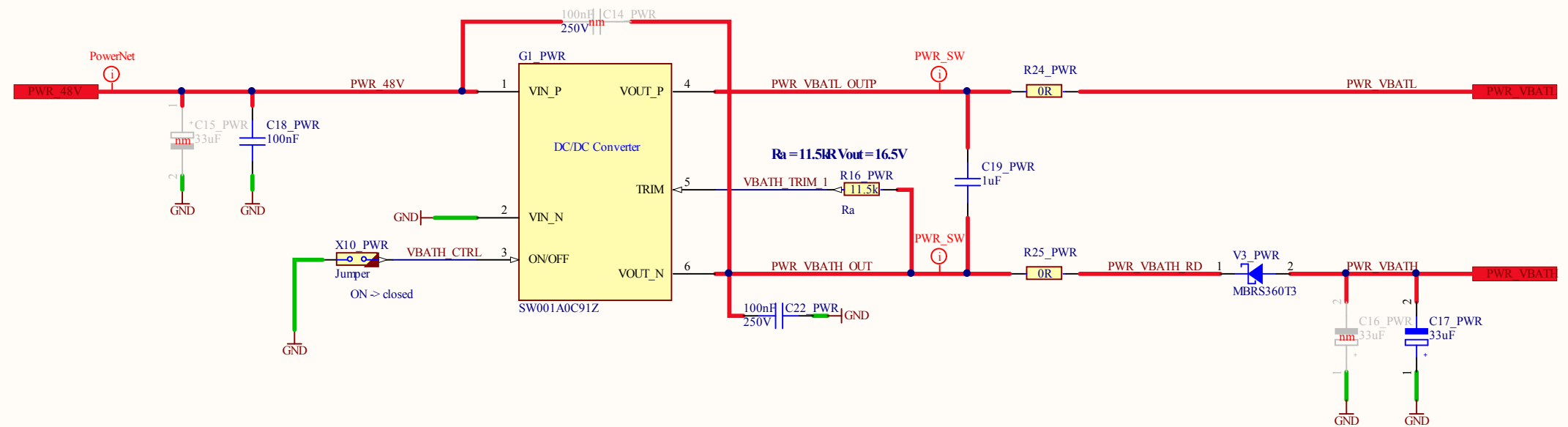
increase Output Voltage (formula for Ra)

$$R_a = \frac{10000 \times 2.5}{V_{out} - 2.5 - 12.5} - 5110 \quad \text{in R}$$


Preliminary

 Lantiq Deutschland GmbH CE.SD.CHW Am Campeon 3 - 85579 Neuburg - Germany		Title	
		VINETIC-XI16 Reference Board	
Variant		Approved	
Default_Assembly		<Appr.>	
Size:	Document Name	Rel.	Rev.
A3	Power-Supply_VBATL.SchDoc	RC02	V1.2.1
Date: 23.07.2010 Time: 15:28:20 Author: <Author>		SVN Revision: VersionControl RevNumber	
Date: 23.07.2010 Time: 15:28:20 Author: <Author>		Sheet 33 of 34	
© Lantiq Deutschland GmbH 2009. All Rights Reserved.			

Power-Supply_VBATH.SchDoc



Preliminary

 Lantq Deutschland GmbH CE.SDCHW Am Campeon 3 - 85579 Neuberg - Germany		Title	
		VINETIC-X116 Reference Board	
Variant		Approved	
Default_Assembly		<Appr.>	
Size:	Document Name	Rel.	Rev.
A3	Power-Supply_VBATH.SchDoc	RC02	V1.2.1
Date: 23.07.2010 Time: 15:28:20 Author: <Author>		SVN Revision: VersionControl RevNumber	
Date: 23.07.2010 Time: 15:28:20 Author: <Author>		Sheet 34 of 34	
© Lantq Deutschland GmbH 2009. All Rights Reserved.			