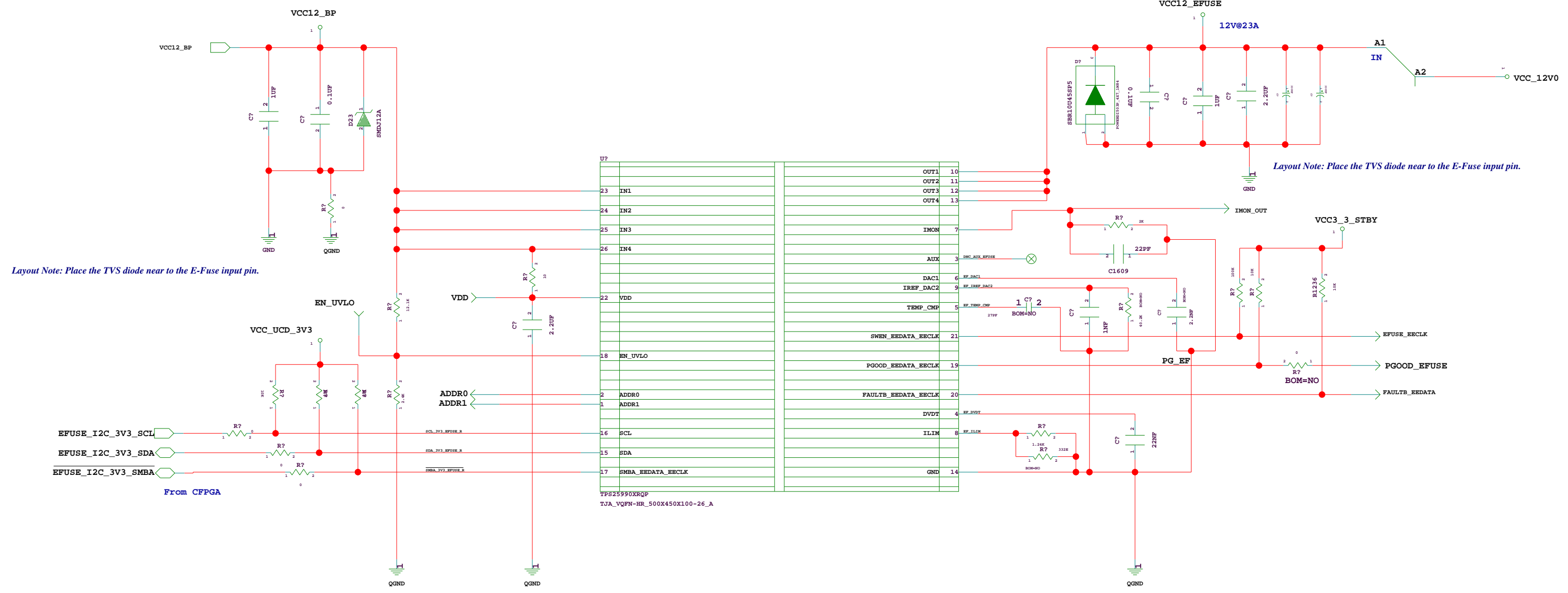
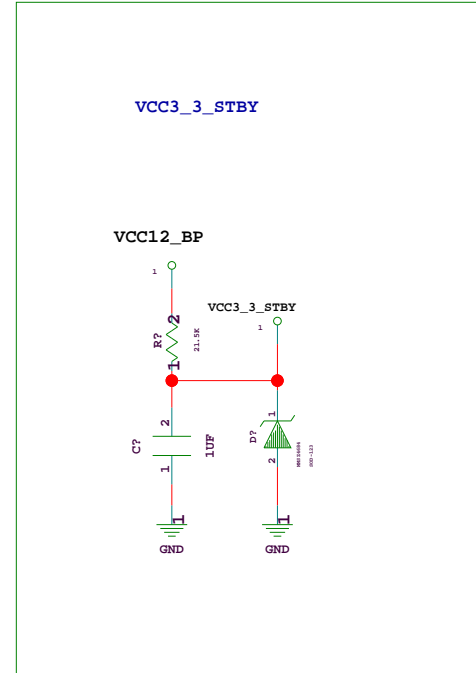


E-FUSE

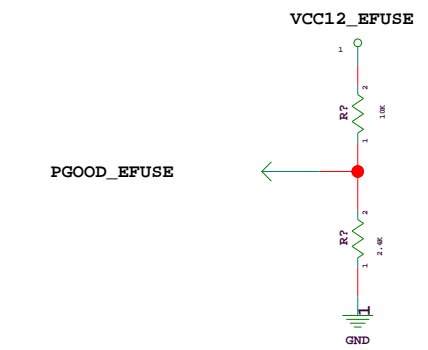
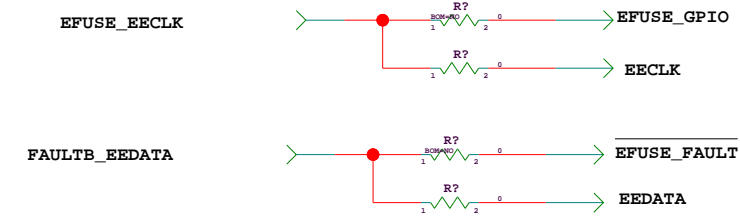
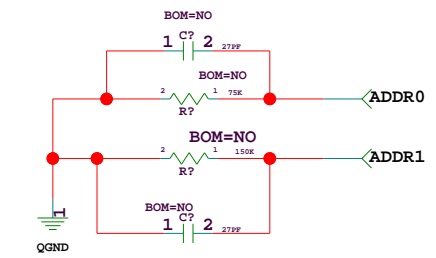


System configuration

VUVLO (raising) =7.3V
 VUVLO (Falling) =6.6V
 Itrip(steady-state)= 28A
 Ilim(Inrush)= 10A
 Tps=7ms
 PMBus Addr:0x40 (default)
 Refer to "TPS25990 calculation Tool" inside Docs for more info

For using TPS25985 part number
 BOM NO the comp connected
 to below pins

Pin no	TPS25985	TPS25990
Pin 15	NOT AVAILABLE	SDA
Pin 16	NOT AVAILABLE	SCL
Pin 17	NOT AVAILABLE	SMBA
Pin 3	NOT AVAILABLE	AUX
Pin 2	NOT AVAILABLE	ADDR0
Pin 1	NOT AVAILABLE	ADDR1



EEPROM

