

Fig. 1: Half bridge configuration according to Fig. 50 of the UCC21750QDWQ1 datasheet

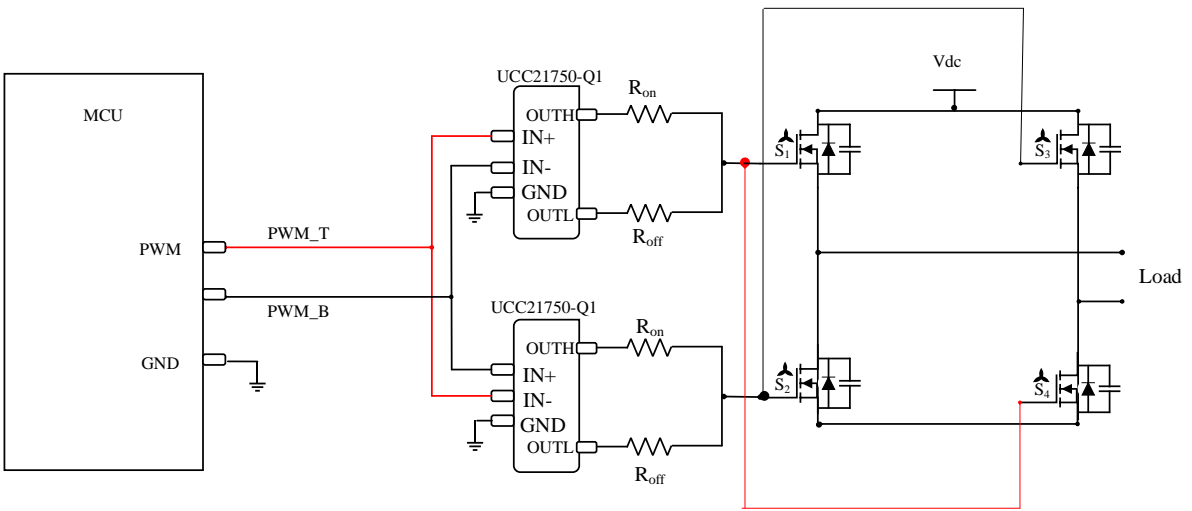


Fig. 2. Driving full bridge using two UCC21750QDWQ1

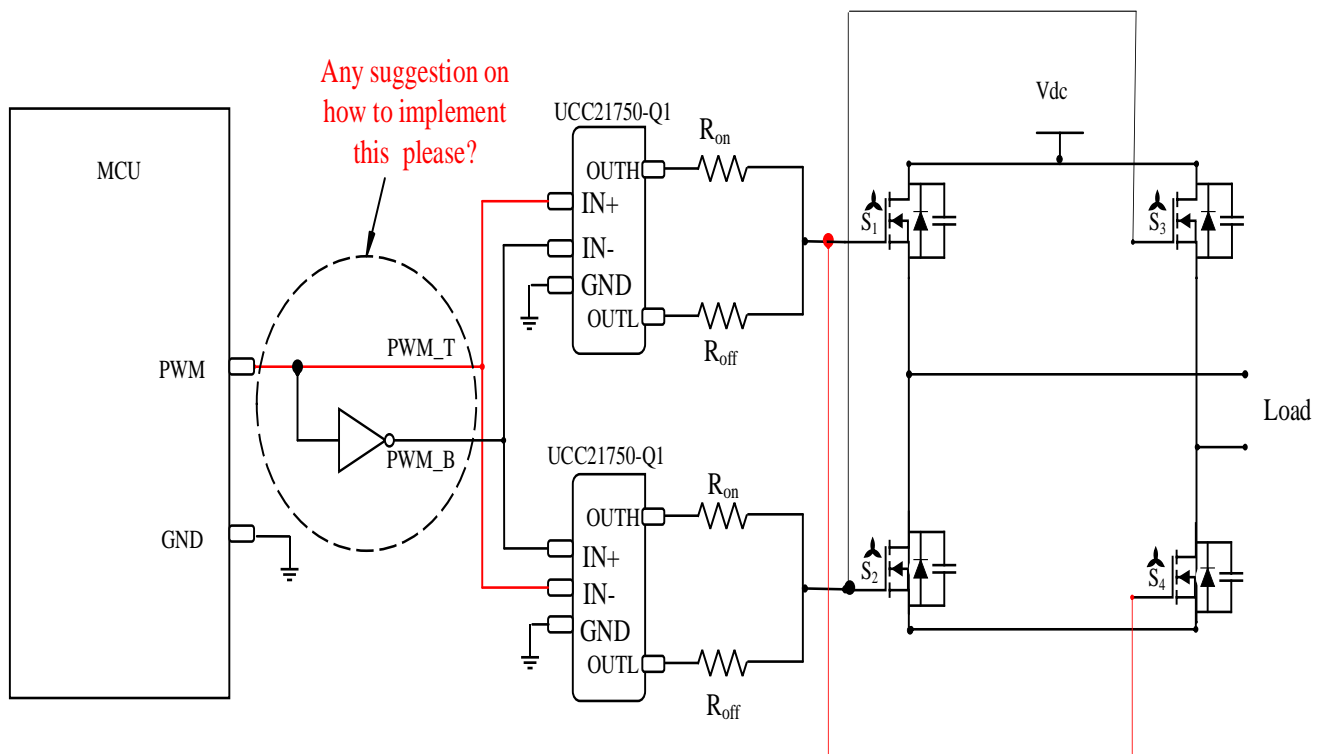


Fig. 3: Any suggestion for a product for PWM inversion?