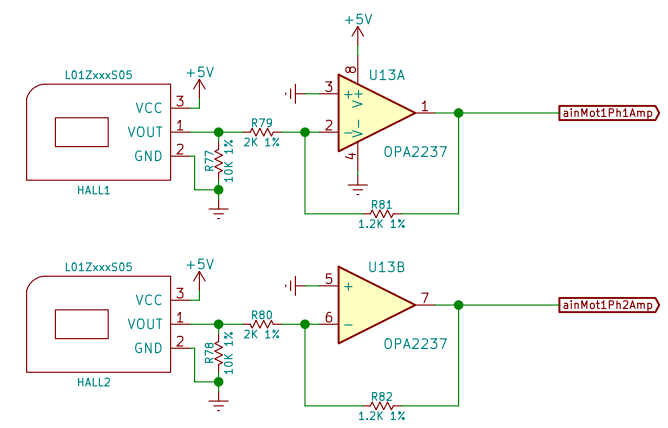
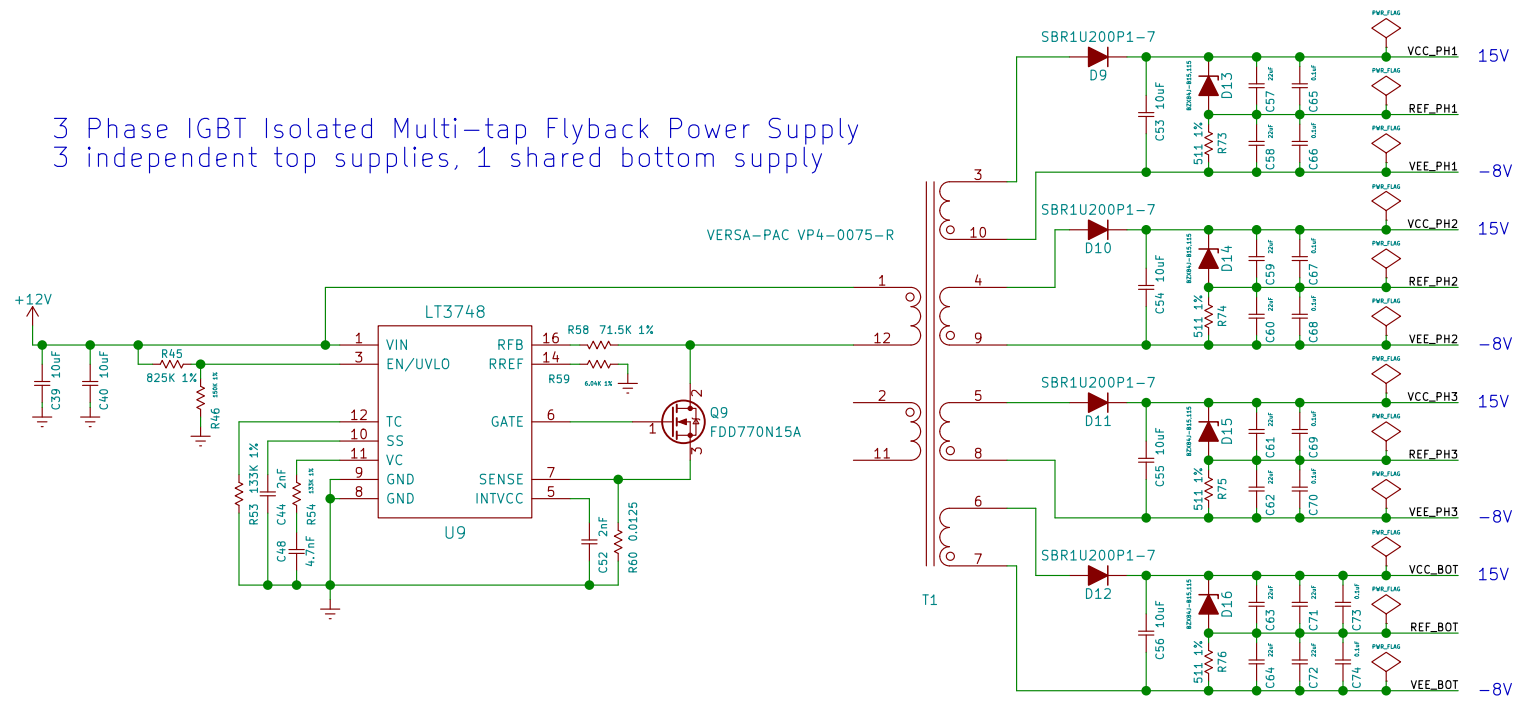
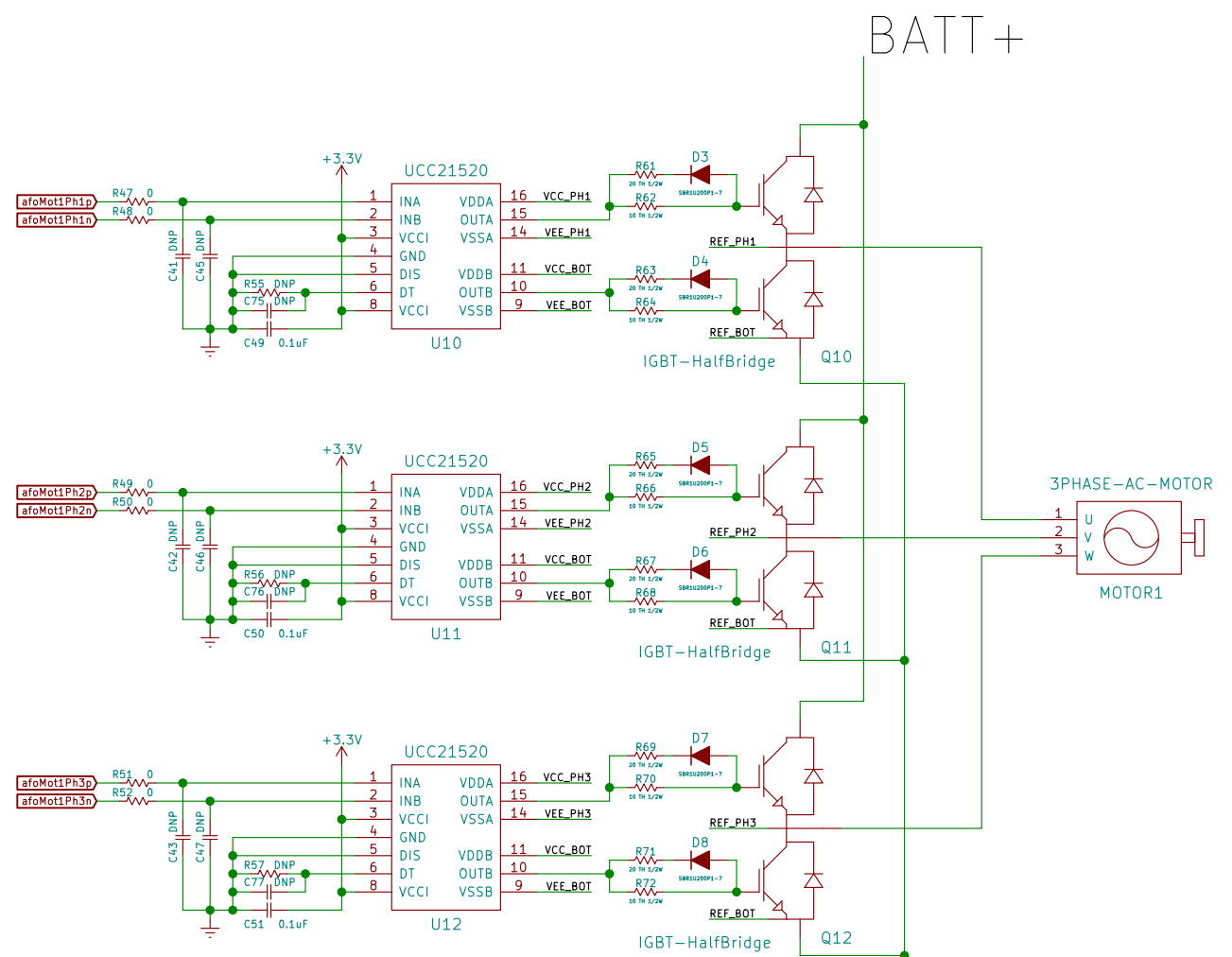


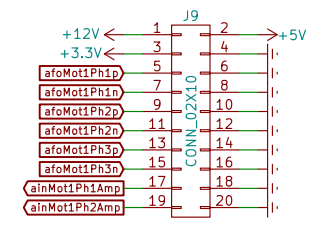
3 Phase IGBT Isolated Multi-tap Flyback Power Supply 3 independent top supplies, 1 shared bottom supply



Motor Phase Current Sensors



Isolated IGBT Drivers



Controller Connector.
Only used if separate PCBs.

Sheet: /Motor1 Driver/ File: EvaDrive-Motor1.sch		
Title:		
Size: A3	Date:	Rev:
KiCad E.D.A. kicad 4.0.4+e1-630848ubuntu16.04.1-stable		Id: 4/4