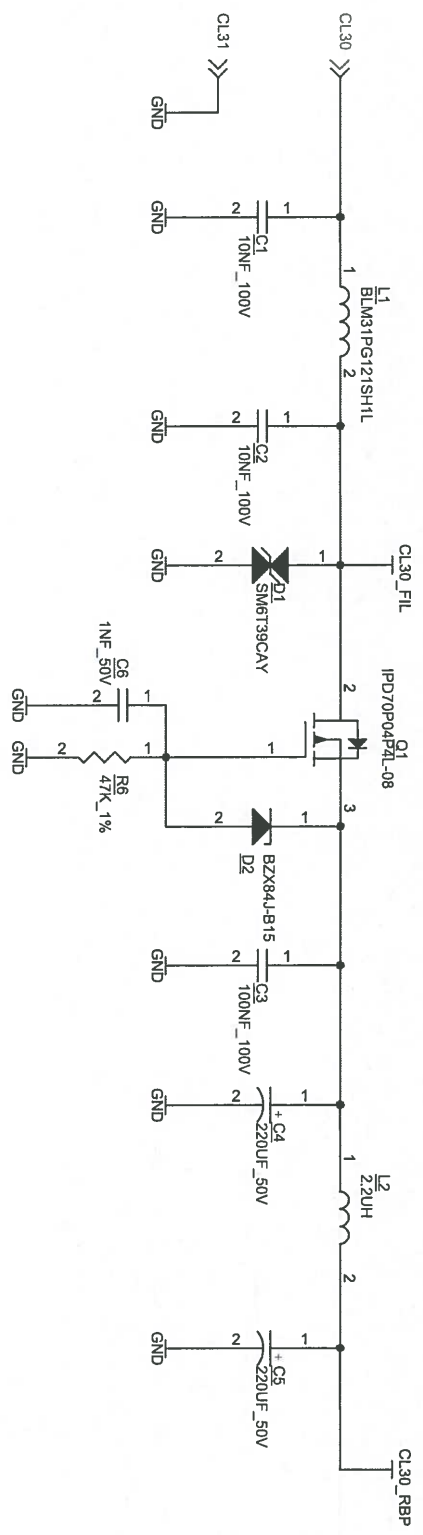
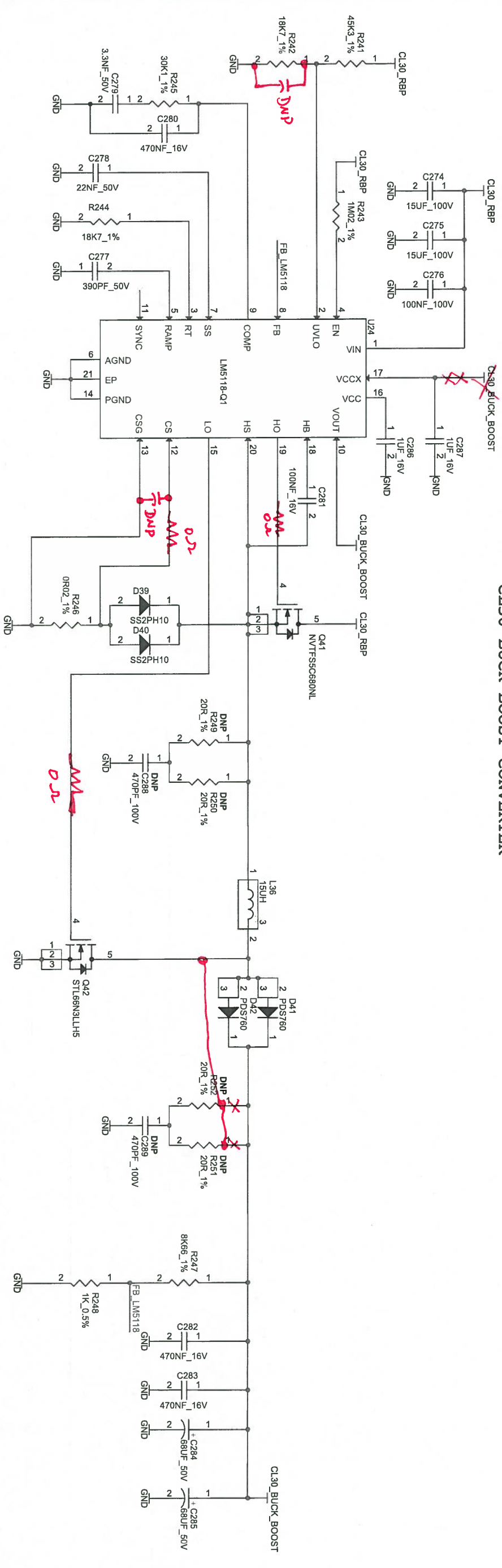


BATTERY FILTER & REVERSE PROTECTION



CL30 BUCK-BOOST CONVERTER



| | | |
|--|---------------------------------|----------------------------|
| | | Project Name TCU |
| Schematic Name RBP AND BUCK-BOOST | | Document Number <Doc> |
| Revisable 00 10/25/17 AAITG:Creation 10 10/21/18 AAITG:IDRAFT rev 10 | Author/Modification A3 AAITG | Rev 10 |
| Date: Tuesday, February 13, 2018 | | Sheet 2 of 16 |