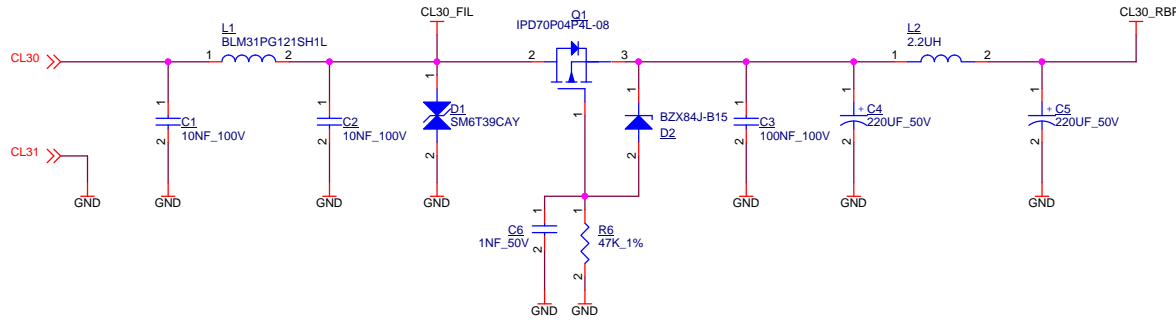
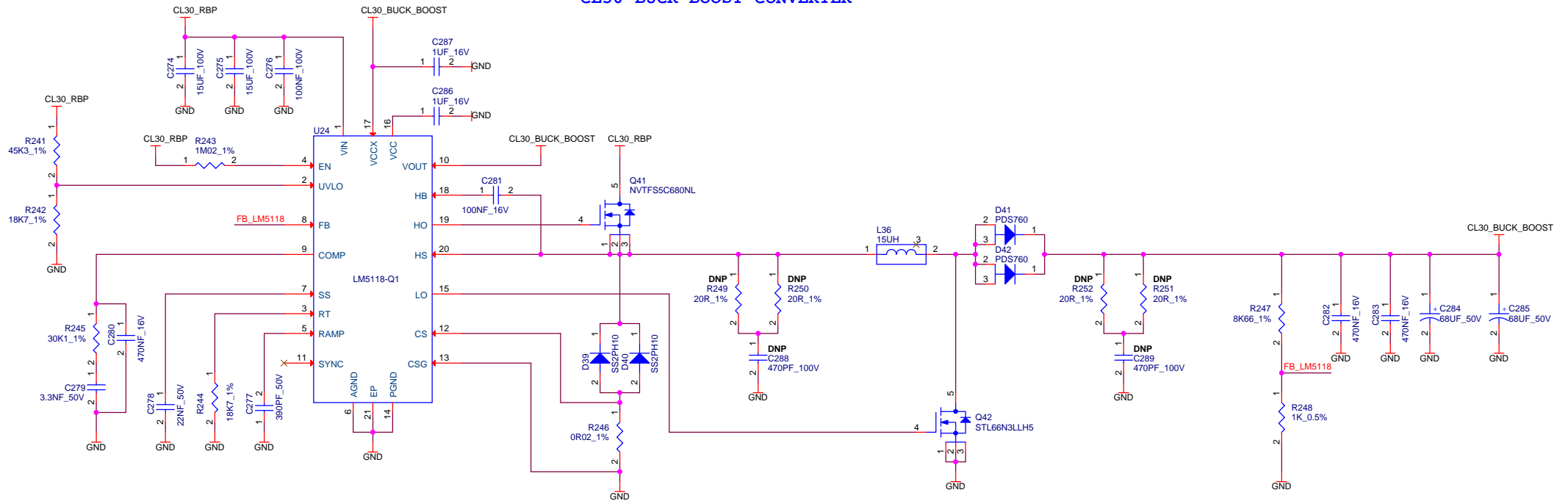



### BATTERY FILTER & REVERSE PROTECTION



### CL30 BUCK-BOOST CONVERTER



		Project Name		TCU	
		Schematic Name		RBP AND BUCK-BOOST	
Rev/Date	Author/Modification	Size	Designed by	Document Number	Rev
00 30/25/17	AAITG Creation	A3	AAITG	<Doc>	10
10 32/13/18	AAITG DRAFT rev 10				
Date: Tuesday, February 13, 2018			Sheet 2 of 16		