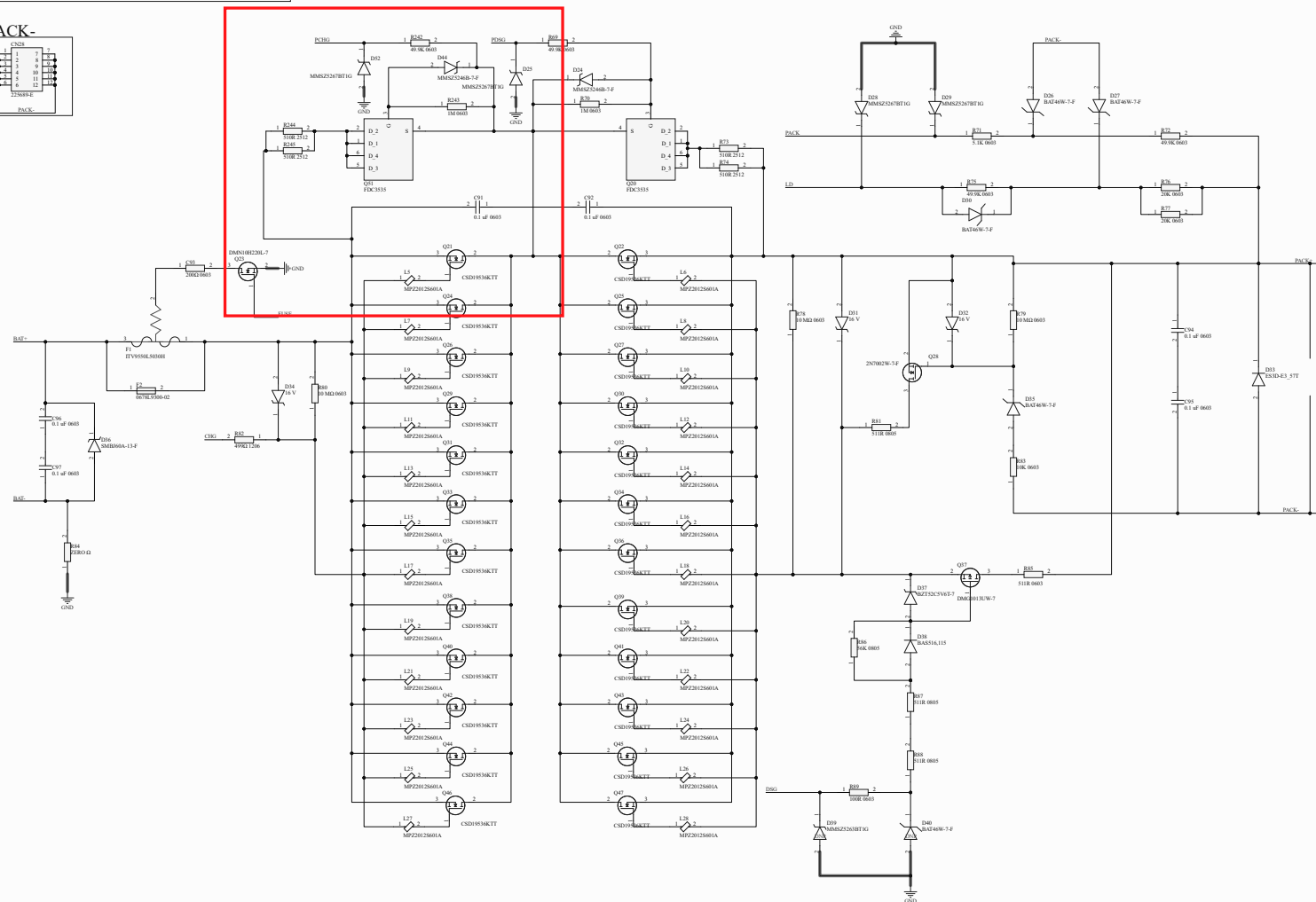
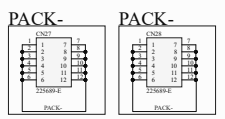
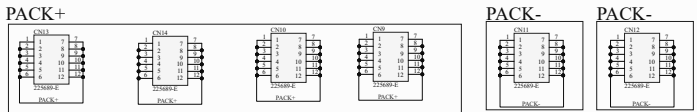
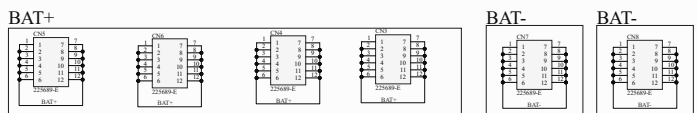


Current sheet file
 D:\2023\PROJECTS\PROJE
 CT
 2023\DOWNLOADS - Page
 e - csmc\csmc\project\name
 with number: 2019011.png
 File browser view.



| Title | | |
|-------|--------|----------|
| Rev | Number | Revision |
| 1 | 1 | |
| 2 | 2 | |
| 3 | 3 | |
| 4 | 4 | |
| 5 | 5 | |
| 6 | 6 | |
| 7 | 7 | |
| 8 | 8 | |
| 9 | 9 | |
| 10 | 10 | |
| 11 | 11 | |
| 12 | 12 | |