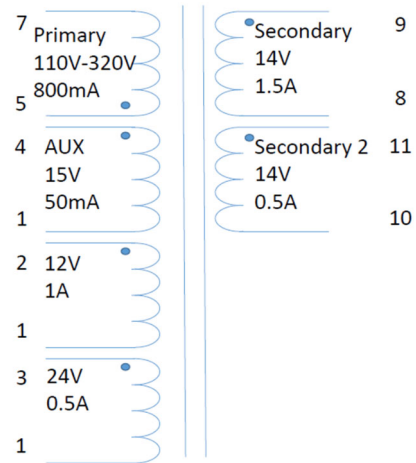
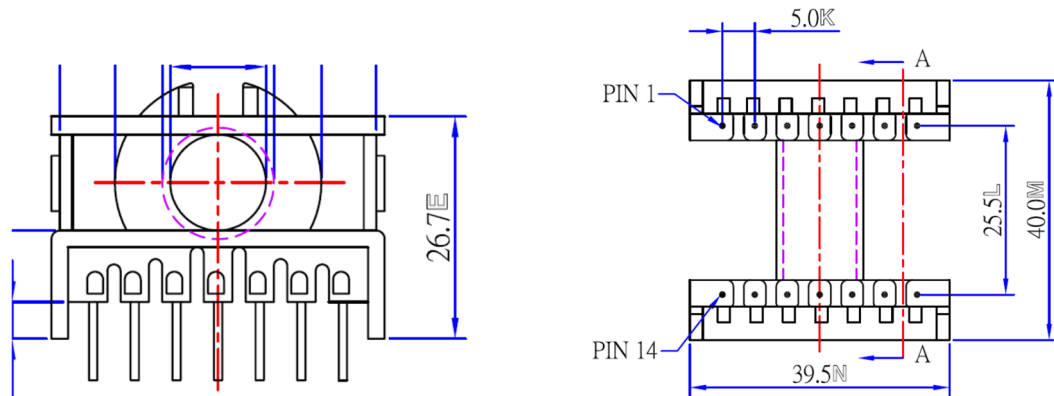


P/N: ETD34 HORIZONTAL: 7+7



S/N	TERMINALS (S-F)	TURNS	STRAND	WIRE	Insulation		
					MATERIAL	T/W	TURNS
P1-1	5-6	22	2	Φ 0.50	POLYESTER	0.055/22	3Lys
S1	9-8	5	3	Φ 0.45	POLYESTER	0.055/22	3Lys
P2	2-1	4	2	Φ 0.50	POLYESTER	0.055/22	3Lys
S2	11-10	5	2	Φ 0.45	POLYESTER	0.055/22	2Lys
P1-2	6-7	21	2	Φ 0.50	POLYESTER	0.055/22	2Lys
AUX	4-1	5	1	Φ 0.20	POLYESTER	0.055/22	2Lys
P3	3-1	9	2	Φ 0.45	POLYESTER	0.055/22	3Lys

NOTE: 3.0mm margin tape wrapped on both sides.



ELECTRICAL SPECS:

NO.	ITEM	TERMINALS	SPECS	REMARKS
1	INDUCTANCE	5-7	280uH ± 10%	1061A LCR METER AT 10KHz / 0.1V
2	HI-POT TEST	P-S	AC4.0KV,50HZ,3mA,3S	CS2672 or EQU.
		P,S-CORE	AC1.5KV,50HZ,3mA,3S	