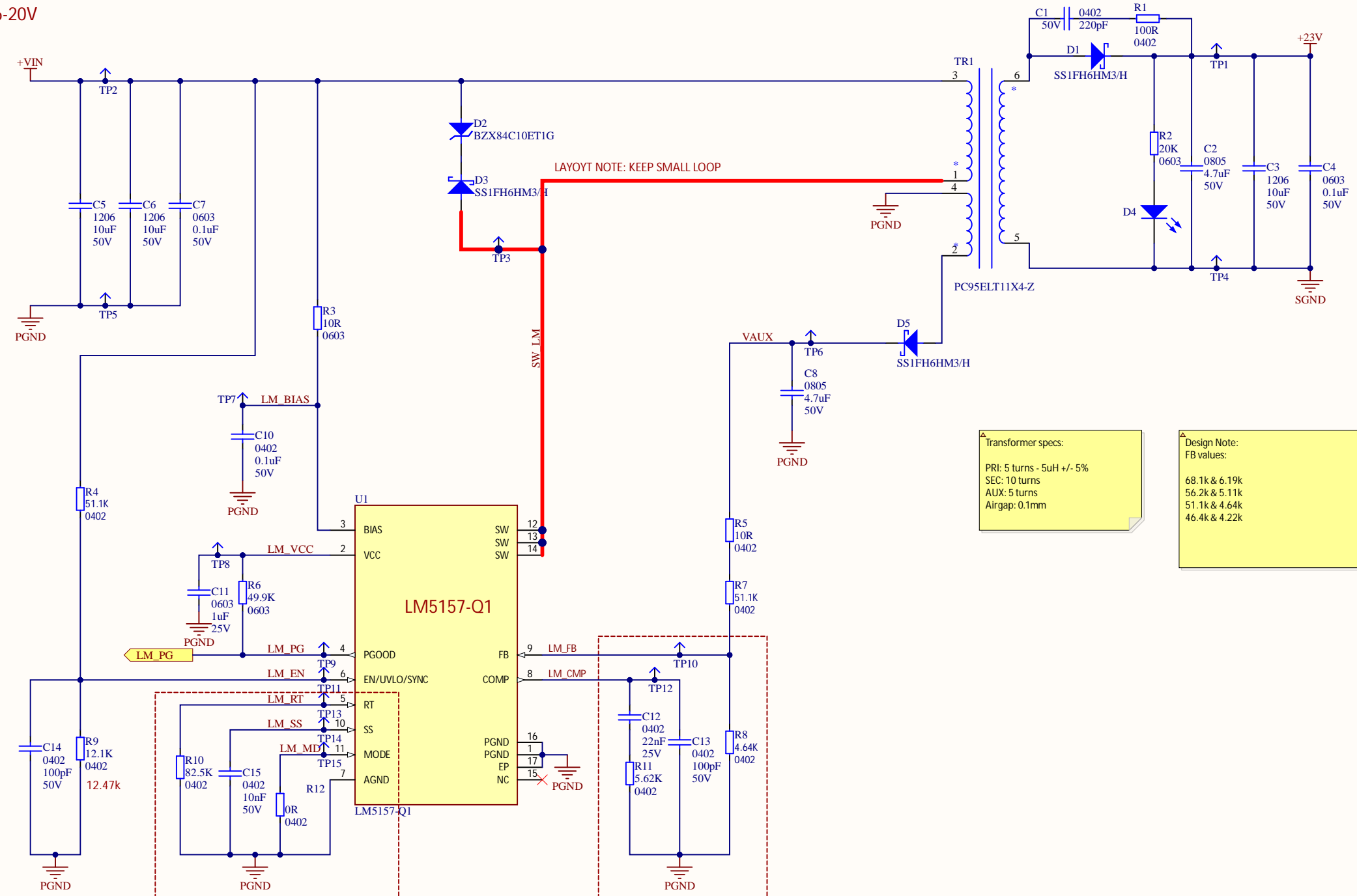


INPUT: 6-20V



Transformer specs:
PRI: 5 turns - 5uH +/- 5%
SEC: 10 turns
AUX: 5 turns
Airgap: 0.1mm

Design Note:
FB values:
68.1k & 6.19k
56.2k & 5.11k
51.1k & 4.64k
46.4k & 4.22k

Frequency: 250kHz
RT: 87.5k ~ 250kHz
C_SS: 10nF <=> 1ms
RT: 88.7k ~ 246kHz

LAYOUT NOTE: Tied to AGND pin
NOTE: DEFAULT MODE=0

LAYOUT NOTE: Tied to AGND pin